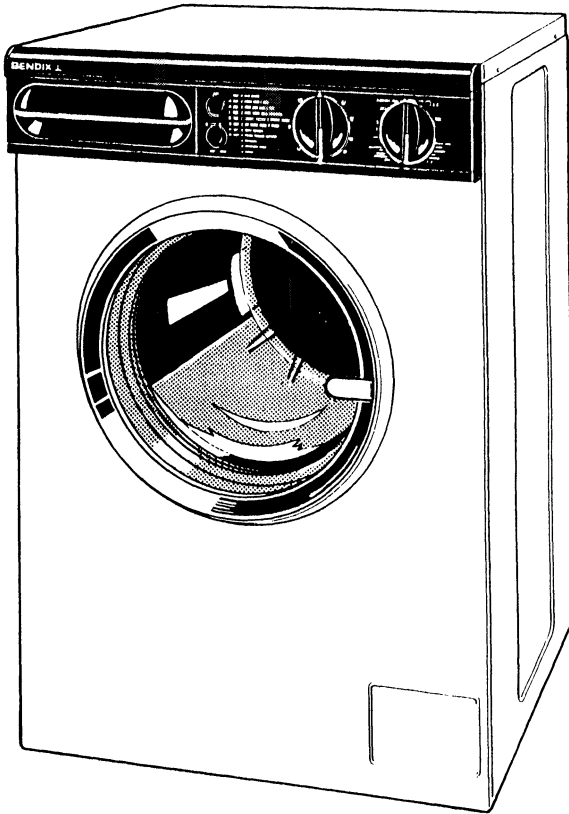


# **BENDIX**

## **Autowasher electronic Model 7133**



You are now the proud owner of a Bendix Autowasher electronic, you will be pleased to find that it washes, rinses and spins without you having to handle the clothes in between times.

You will obviously want to obtain the best possible wash. By reading and following the instructions in this booklet you will achieve excellent results.

Please ensure that the Installation Instructions are followed.

If you should need any further advice or assistance please contact the Bendix agent from whom your machine was purchased or your nearest Bendix Stockist.

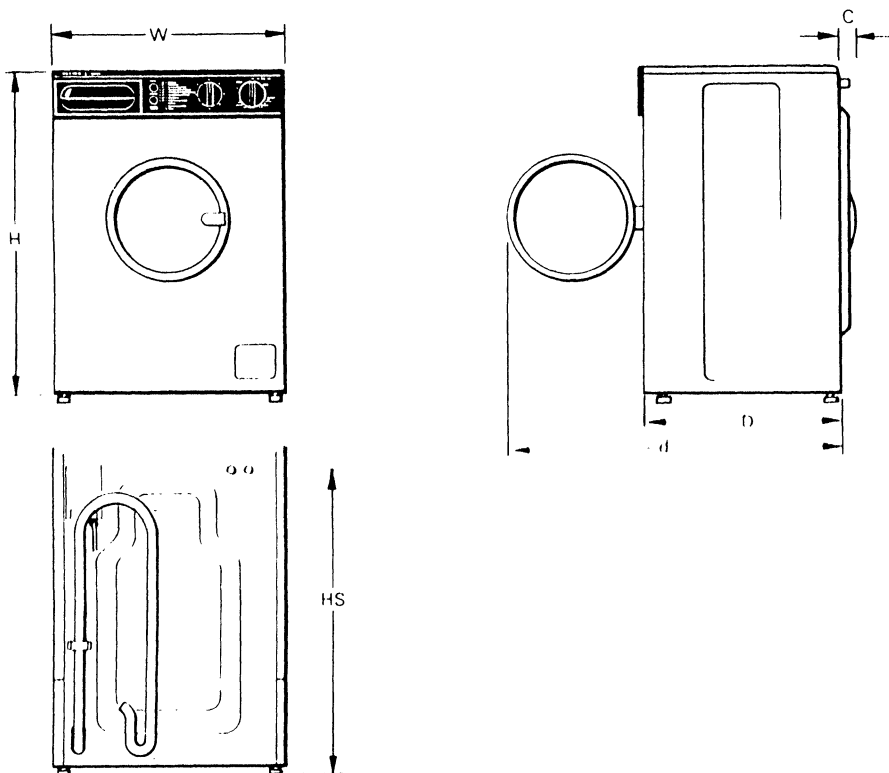


# Installation and Operating Instructions

# Model 7133 Autowasher electronic

Made in Italy

## DIMENSIONS



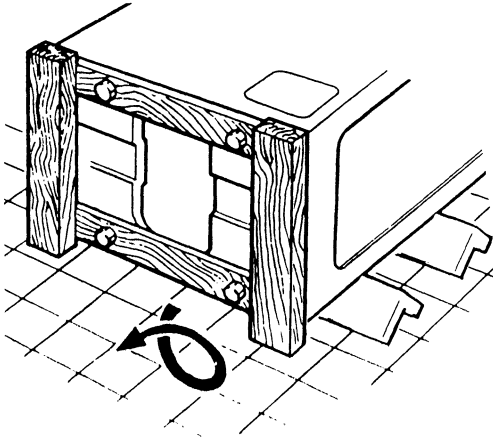
Height, overall (H)	850 mm	33 1/2 in
Width (W)	595 mm	23 1/2 in
Depth - door closed (D)	520 mm	20 1/2 in
Depth - door open (d)	910 mm	35 1/4 in

Rear projection (C)	50 mm	2 in
Weight - empty	100 kg	220 lb
		2

Electrical loadings:	
Heater	2.5 kW
Motor - tumble	250W
Motor - spin	300W & 550W
Drain Pump	95W

## SITE REQUIREMENTS

A dry, level, and a relatively smooth floor, with the services brought to the appliance. A minimum of 12 mm (½ in) clearance is required each side of the appliance.



## UNPACKING & INSTALLATION

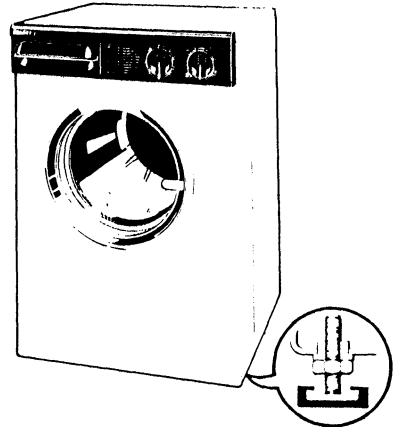
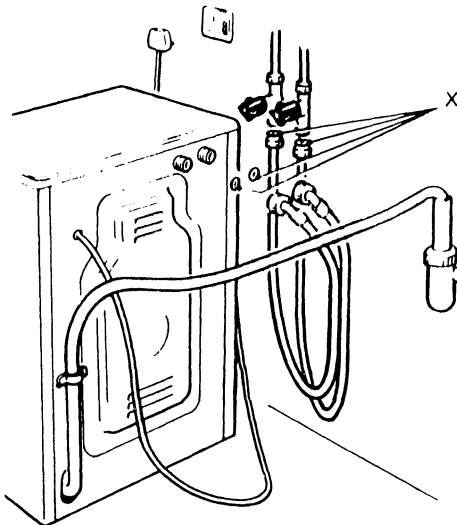
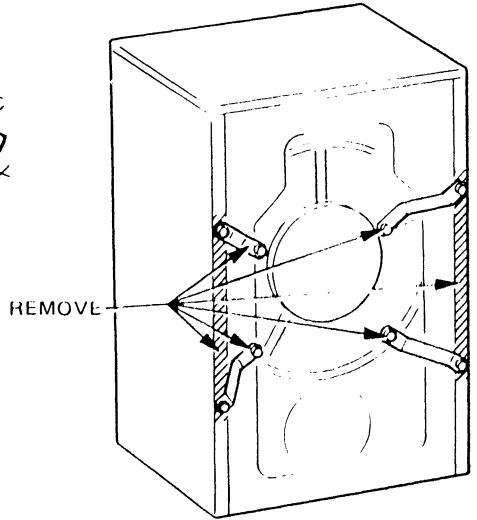
Remove the box, corner pieces and pallet. Remove back panel screws and lift panel clear. Remove the four internal transit straps as shown in the diagram below, together with the three chassis bracing straps and store in a convenient place together with the fixing bolts and washers.

Insert the four plastic plugs provided into the four bolt holes vacated by the transit fixing bolts in the back panel.

Relocate and fix the back panel.

Always refit the transit brackets before transporting the appliance.

Connect the hoses, making sure that the sealing washers 'x' are in place.



## ELECTRICITY

Fused and earthed supply: 240V 50Hz a.c.

Mains lead: 3 core 2.7 m 9ft

Fuse ratings: 13A

### CONNECTING THE ELECTRICITY

Before switching on make sure that the voltage of your electricity supply is the same as that indicated on the rating plate.

#### WARNING THIS APPLIANCE MUST BE EARTHED

If this appliance is fitted with a non-rewireable plug for which your socket is unsuitable the plug should be cut off and an appropriate plug fitted. The removed plug should be disposed of as insertion of the plug into a 13 amp socket is likely to cause an electrical hazard. If it is necessary to change the fuse in a non-rewireable plug the fuse cover must be refitted. If the fuse cover is lost or damaged the plug must not be used until a replacement is obtained. Replacement fuse covers are available from our Service Centres. It is important that the colour of the replacement fuse cover corresponds with the colour marking on the base of the plug.

**IMPORTANT** The wires in the mains lead are coloured in accordance with the following code:

GREEN AND YELLOW	EARTH
BLUE	NEUTRAL
BROWN	LIVE

As the colours of the wires in the mains lead of this appliance may not correspond with the colour markings identifying the terminals in your plug proceed as follows:

The wire which is coloured green and yellow must be connected to the terminal which is marked with the letter 'E' or by the 'Earth' symbol  $\equiv$  or coloured green or coloured green and yellow.

The wire which is coloured blue must be connected to the terminal which is marked with the letter 'N' or colour black. The wire which is coloured brown must be connected to the terminal which is marked with the letter 'L' or coloured red.

The appliance must be protected by a 13 amp ASTA approved (BS1362) fuse if a 13 amp (BS1363) plug or a non-rewireable plug is used if any other type of plug is used by a 15 amp fuse either in the plug or adaptor or at the distribution board.

## WATER

Supply: Hot & Cold, or Cold-only, using 'F' connector 25115.

Pressure - maximum 1000 kN/m<sup>2</sup> 140 lb/in<sup>2</sup>  
- minimum 25 kN/m<sup>2</sup> 3.5 lb/in<sup>2</sup>

Temperature: Hot water 70°C maximum  
Inlet connection ¼ BSP ¼ BSP  
Inlet hose length 1.5 m 5 ft  
Inlet height HS2 810 mm 31 ¾ in

Preferred stopcock position: left hand side  
300 mm 1 ft

Stopcock recommended:  
Bendix 24041 'Hot' & 24042 'Cold'

Head (Hd) maximum 100 m 330 ft  
minimum 3.0 m 10 ft

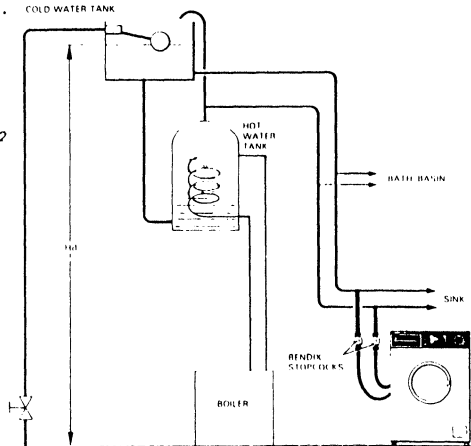
### CONNECTING THE WATER SUPPLY

The diagram shows a typical domestic plumbing system. Connections can be made by fitting tee-pieces in the existing pipework\*

Permanent connections to Bendix stopcocks located at the lefthand side of the appliance are recommended. Ensure that they are positioned near enough to the appliance to permit it being moved for servicing.

Where necessary the appliance can be used on Cold-only water supply by connecting both water inlets by means of a Bendix F-connector 25115. Before using the new pipework for the first time flush out swarf and flux.

The grey hose supplied with the machine is marked '25°C maximum'. This should only be connected to the cold water supply. Always use for connection to the cold water supply by means of the F-connector.



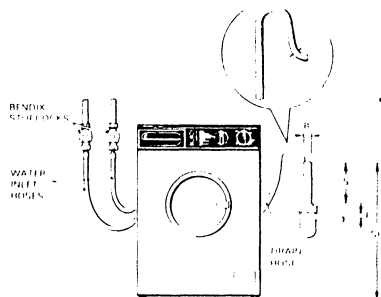
## Instantaneous Water Heaters

This model is suitable for use with some makes of instantaneous gas water-heaters. Full details of compatible water-heaters should be obtained from the heater manufacturer or Gas showroom.

The use of these heaters may require more frequent cleaning of the Autowasher water inlet filters than would be necessary with other water heating methods.

## DRAINAGE

Length of drain hose	1.5 m	5 ft
Standpipe bore (B)	38-40 mm	1 1/2 in
Standpipe to floor (SH)		
- maximum	900 mm	36 in
- minimum	600 mm	24 in
Preferred minimum standpipe (S)		
	380 mm	15 in
Suggested trap*	Bottle type	Bottle type
Fall to drain (F)	100 mm/m	1 in/ft



## CONNECTING THE DRAINAGE

A standpipe is recommended, with the dimensions as above. If the appliance is to be left connected to the plumbing and drainage the moulded hook can be trimmed before insertion in the standpipe.

The hose can also be hooked over the edge of a sink in which case the hose must be left as supplied.

Permanent drainage arrangements should conform to the dimensions given. There must be an airbreak or the appliance may syphon.

The drain pipe should not be pushed into the standpipe more than 200 mm (8 in)

## OPTIONAL EXTRAS

Optional fittings are available from your Bendix stockist and will ease the installation and use of the appliance:

Stopcocks:		Stacking Kits:	
'Hot'	24041	with pull-out shelf	28300
'Cold'	24042	without shelf	28301
Cold-fill F connector	25115		

The dimensions given in these instructions are not intended to be direct conversions between metric and imperial units. Please work in one set only.

\*The recommendations set out are suggestions only. All installations must comply with the requirements of local authorities or public utilities.

This appliance must be installed in accordance with the IEE regulations, in particular with regard to installation in bathrooms; if not we reserve the right to refuse to service it.

This appliance complies with European Economic Community Radio Interference Directive 76/889/E.E.C.

# Know your BENDIX autowasher electronic

## Mains On Off Button

Controls power to the machine.

## Mains On Light

Grows to indicate the machine is energized.

## Half Load Button

For smaller wash loads. Once set it limits the quantity of water to the machine.

## Temperature Selector Control

Gives a range of wash temperatures from 30°C - 90°C. Use the wash programme guide on the machine fascia to refer to the programme chart on pages 8 & 9. This will provide correct temperature required.

## Programme Selector Control

Select the wash programme required according to the type of fabric and degree of soiling. Refer to the wash programme guide on the machine fascia or to the programme chart on pages 8 & 9.

## DETERGENT DISPENSER

The detergent dispenser is so designed that detergents and additives will flush automatically into your machine. It is divided into three compartments 'A' for pre-wash or bio powder, 'B' for main wash powders and 'C' for additives, i.e. fabric softeners such as Comfort. At the end of the wash programme, any remaining water will be automatically syphoned out leaving the dispenser ready for the next wash.

### Note

The detergent dispenser drawer and housing should be cleaned to prevent a build up of detergent and fabric softener. This dispenser drawer is easily removed by pulling out. Rinse it under the tap, dry and replace by inserting in the opening and pushing home.

## Drain Screen

The removable drain screen which protects the pump from lint and foreign matter needs to be cleaned periodically. How often will depend on your wash load, e.g. cotton towels and nappies cause more lint to collect than nylon loads. Open the service door by

pressing on the right hand side. Turn anticlockwise and pull the drain screen out. Have a cloth or shallow tray under the drain screen housing, as a small quantity of water may run out. You may find it helpful to first set the machine to spin then remove the drain screen. This procedure reduces the amount of water released. Clean the screen under running water to help remove any trapped lint. Replace the screen by sliding back into the housing. Lastly turn clockwise to secure. Under no circumstances should the drain screen be removed whilst the machine is full of water.

## Hoses

Make sure that these are not kinked or the machine will not function correctly.

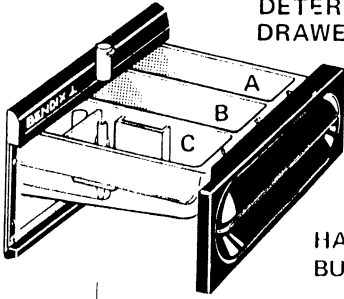
## Adjustable Feet

It is important that the machine is stable and level during operation. To help you obtain these conditions the machine is fitted with adjustable front feet. To prevent the cups being pulled off during moving the machine to its final site, you can, if you wish stick the rubber cups to the feet with a little Bostick impact adhesive.

To adjust the feet loosen the locking nuts and adjust both feet to give a level and stable position and then retighten the locking nuts.

**Note:** If the appliance is on an area which is carpeted, then we recommend the use of a piece of hardboard beneath the machine to its final resting position to help you locate the machine correctly.

**DETERGENT DISPENSER  
DRAWER**

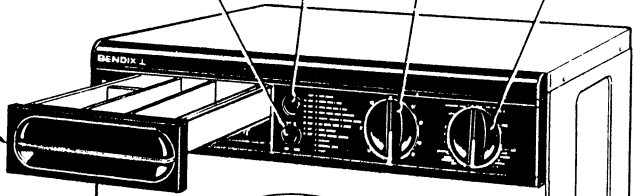


**MAINS ON/OFF  
BUTTON**

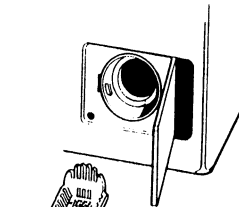
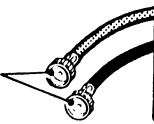
**PROGRAMME  
SELECTOR**

**HALF LOAD  
BUTTON**

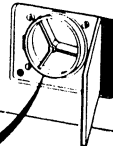
**TEMPERATURE  
SELECTOR**



**HOT & COLD  
FILL HOSES**



**DRAIN  
SCREEN**



**ADJUSTABLE  
FOOT**

## BENDIX autowashe

Programme	Temperature Selector	Fabric	Pause
Pre-Wash	Preset at 40°C	White and coloured natural fabrics	No
<input checked="" type="checkbox"/>	90°C	White cotton and linen articles without special finishes	No
<input checked="" type="checkbox"/>	60°C	Colour fast cotton and linen	No
<input checked="" type="checkbox"/>	40°C	Non colour fast cotton and linen	No
Pre-wash	Preset at 40°C	White and coloured Polyester and mixtures	No
<input checked="" type="checkbox"/>	60°C	White nylon; white Polyester/cotton mixture	No
<input checked="" type="checkbox"/>	50°C	Coloured nylon polyester cotton and modal articles Acrylic cotton mixtures	No
Pre-Wash	Preset at 40°C	Delicates	
<input checked="" type="checkbox"/>	40°C	Acrylics Acetate and wool mixtures	Yes
<input checked="" type="checkbox"/>	40°C	Machine washable woollens	Yes
Rinses			
Conditioned Rinses			
Spin			
			p



**Electronic Programme Guide**

Spin Speed	Full Load	Half Load
500 rpm	10 lb/4.5 kg	6 lb/2.7 kg
800 rpm	10 lb/4.5 kg	6 lb/2.7 kg
800 rpm	10 lb/4.5 kg	6 lb/2.7 kg
800 rpm	10 lb/4.5 kg	6 lb/2.7 kg
500 rpm	4½ lb/2 kg	2 lb/1 kg
800 rpm	4½ lb/2 kg	2 lb/1 kg
800 rpm	4½ lb/2 kg	2 lb/1 kg
500 rpm	4½ lb/2 kg	2 lb/1 kg
500 rpm	4½ lb/2 kg	2 lb/2 kg
500 rpm	4½ lb/2 kg	2 lb/1 kg
500 or 800 rpm	Up to 10 lb/4.5 kg	6 lb/2.7 kg
500 or 800 rpm	Up to 10 lb/4.5 kg	6 lb/2.7 kg
500 or 800 rpm	Up to 10 lb/4.5 kg	6 lb/2.7 kg
Dependent on programme selected		

Use for loosening soil before the main wash  
 High temperature wash to keep whites white

A hot wash to keep colours bright and fresh looking

Use for loosening soil before the main wash

Always wash white synthetics separately. They pick up loose dye from coloured synthetics if mixed

Do not use pre-wash with Programme 7  
 This programme is cold fill only. For Main Wash, detergent should be placed in the pre-wash compartment A of the soap dispenser

## Using your BENDIX autowasher electronic

Always use a low sudsing detergent in your machine, e.g. Persil Automatic, as these are specially formulated to work in conjunction with your Autowasher de luxe machine to give the best results.

Detergents will be flushed automatically into the machine from the detergent dispenser. The suds level should never rise more than halfway up the porthole. Too much foam will not only impede the wash action of your machine but will rise through the detergent dispenser and make a mess on the floor!

If this should happen clear excessive suds by setting the Programme Selector to the beginning of the first rinse and allow the machine to rinse out.

The following quantities of powder are a guide for average water supplies. If the water is very hard more powder may be needed. If very soft less will be needed. If you are in doubt refer to the instructions on the packet.

### Main Wash 200g (7oz)

If you have a more heavily soiled load and decide to use the pre-wash before a main wash use approximately one third of the powder in the pre-wash compartment 'A' of the dispenser and the remaining two thirds in the main wash 'B' compartment.

Note: an average teacup holds (2½-3 oz) 75g-90g.

### Fabric Softeners e.g. Comfort

All fabrics particularly towels and nappies, benefit from the use of fabric conditioners in the final rinse. Items of laundry feel softer, are more easily ironed and the clinging effect of synthetics is considerably reduced.

**To Use:** Pour the conditioner into the 'Additives' compartment 'C' of the detergent dispenser to the level indicated on the syphon. Under no circumstances overflow as the conditioner will immediately syphon into the machine and in so doing impair the wash results.

### Preparation Before You Wash

Many garments carry a label under the International Textile Care Labelling (ITCLC) scheme indicating the correct type of wash treatment required. You will find that this label corresponds to the Wash Chart on Pages 8 & 9.

Sort your washing according to the Care Label number given on the garment, or if absent, according to the fabric and type of wash treatment required. Your Bendix Autowasher de luxe takes up to 10 lb (4.5 kg) dry weight of cotton clothes.

If you decide for one reason or another to mix fabrics, always use the wash programme for the most delicate fabric in the load. For example a wash load made up with fabrics from the wash groups 1 and 2 should be washed on 2, similarly a wash load with fabrics from 3 and 4 should be washed on 4 etc. White nylon, or white polyester/cotton articles and delicate items i.e. programmes 3, 4, 6, should be washed separately.

Make sure that the pockets have been emptied, zips fastened and apron strings tied. Remove pins and other small objects which could harm clothes if they become separated in the machine.

If possible make up loads of similar soiling keeping heavily soiled items separate from lightly soiled clothes. Heavily soiled parts such as shirt cuffs and collars may be pre-treated by brushing with a solution of detergent and water.

### Stain Removal

Most household stains come out in the normal wash, but there are some which require special treatment. See section on Stain Removal Page 11.

## Stains

<b>Coffee, Tea, Fruit, Wine,</b>	These are usually removed in the wash. For old stains, soak in a biological wash product, then launder in the usual way.
<b>Grass, ink, Ballpoint</b>	Dab with methylated spirits over a soft cotton pad, then launder in the usual way. Do not use Methylated spirits on Tricel. Treat ink stains on Tricel with Glycerine.
<b>Tar</b>	Scrape off excess, dab with petrol, over a soft cotton pad. (Caution. Petrol is inflammable).
<b>Scorch</b>	Moisten light stains and soak in glycerine then wash. If stains remain, soak in one part hydrogen peroxide to nine parts water; wash through and rinse thoroughly.
<b>Iron Mould</b>	Soak light stains in lemon juice, press between damp cotton, repeat if necessary.
<b>Grease, Fat, Lipstick Blood, Egg, Milk Cream, Meat Juice</b>	Treat with a proprietary grease solvent. Soak in biological solution, then launder in the usual way.
<b>Mildew</b>	Treat with peroxide. Soak (using one part hydrogen peroxide to nine parts water), rinse well. Care must be taken with coloured fabrics.

Before washing your coloured garments - check that the colours are fast!!

Usually it is recommended that coloureds be washed separately from whites, but some fast dyed items i.e. sheets, towels can safely be washed together with your family household linen.

Non-fast coloured articles should be washed at the recommended temperature.

When using a stain remover, follow the maker's directions carefully. Never use full strength bleach on any fabrics.

Rinse thoroughly after any special treatment. Chemicals left in fabrics can weaken or destroy some fibres. Test delicate fabrics for possible damage to fibres before tackling the stained area.

## Guide to wash load weights

Regular Wash	Sheet ... Cotton	(D)	2½lb.	1.1 kg	
		(S)	1½lb.	670g	
	Other than cotton	(D)	1½lb.	670g	
		(S)	1¼lb.	560g	
	Cot Sheet		6oz.	170g	
	Pillowslips Cotton		4oz.	113g	
	Others		3oz.	85g	
	Bath Towel		1½lb.	670g	
	Hand Towel		9oz.	255g	
	Tablecloth Small		8oz.	227g	
	Large		1½lb	670g	
	4 table napkins		6oz.	170g	
	Personal	Shirt... Cotton		10oz.	283g
		Others		7oz.	198g
Blouse ... Cotton			5oz.	142g	
Others			4oz.	113g	
Cotton Vest			4oz.	113g	
Underslip			4oz.	113g	
Panties			2oz.	56g	
Bras			1oz.	28g	
Pyjamas			12oz.	340g	
Nightdress			5oz.	142g	
Socks ... Long 2 prs.			6oz.	170g	
Short 2 prs.			3oz.	85g	
6 Hankies			3oz.	85g	
1 doz. Nappies		2½lbs.	1.1kg		
Special Wash	Candlewick Bedspread				
	Double		7lbs	3.18kg	
	Single		5lbs.	2.27kg	
	Blanket ... Wool		4¼lb.	2kg	
	Acrylic		3¼lb.	1.5kg	
	Dress ... Cotton		12oz.	340g	
	Others		12oz.	340g	
	Sweater ... Wool		14oz.	400g	
	Others ... Heavy		12oz.	340g	
	Lightweight		6oz.	170g	
	Crimplene Suit				
	H/W		3lb.	1.36kg	
	Lightweight		2lb.	910g	
Skirt		7oz.	198g		

### 'Half' Load Button

This switch controls the water level thereby reducing the total water consumption, which in turn results in a saving of electricity and detergent. Select for small or medium loads. An indication of weights is given in the Wash Programme Guide.

When washing fabrics which are subject to creasing such as Acrilan, Orlon, Nylon, Terylene etc. load the cylinder no more than half full to allow plenty of room for the garments.

### **Loading the Drum**

When you have a full wash load of shirts, towels, pillowcases, pyjamas and similar items, pack them loosely into the drum.

Large items, a candlewick bedspread for instance, should be washed individually.

When washing a mixed load, put medium and small sized items into the drum alternately. A sheet should be picked up by the centre tentwise, shaken and then folded, pressing out the air.

### **Wash Temperature**

Select the correct temperature according to programme required. See programme guide on the fascia or programme chart on pages 8 & 9.

### **Wash Programme**

The choice of programmes on your machine enables you to select the proper programme for your wash load. The programmes on the Programme Selector correspond to the Care Labelling Code of the International Care Labelling Scheme.

### **Pre-Wash**

On more heavily soiled wash loads a Pre-wash will help to obtain a better wash. It will disperse any superficial dirt and help loosen soil ready for the main wash. It can be used in conjunction with most wash programmes - synthetics as well as natural fibres.

To pre-wash, ascertain the type of main wash required - (see wash programme guide on pages 8 & 9). Select the pre-wash immediately preceding the required programme.

### **Pre-fill**

At the start of the main wash, the machine will pre-fill. This means that initially water will flow into the machine through the detergent dispenser Compartment A. This will prevent detergent being flushed into the sump and wasted

### **Machine Washable Woollens**

Do not wash woollens in your machine unless the garment has been labelled "Machine Washable". Which means that it has been specially treated to minimise shrinkage.

Turn the Programme Selector to 7 and check the half load button is not pressed.

However, it is advantageous to spin the woollen articles that have been washed and rinsed by hand as this removes most of the excess water. Dry woollens carefully to help preserve their texture and shape. After spinning remove carefully from the cylinder, ease into shape and dry flat if possible avoiding direct heat. Do not put woollen garments into the tumble drier.

### **Blankets**

Blankets that are labelled "Machine Washable" can be safely washed on programme 7 (40°C). Check that the water level is set to full load.

Most blanket manufacturers issue specific treatments for their products. Sometimes they will stipulate hand washing or dry cleaning only.

### **Pause**

This feature is incorporated in programmes 6 and 7 so the clothes are held in the final rinse water. To complete the programme turn the Programme Selector to 'Spin'.

## **BEFORE USING CHECK THAT .....**

1. The machine is plugged in and switched on.
2. Both HOT and COLD stopcocks are fully open (unless a cold water adaptor has been fitted. Bendix Part No. 25115).
3. The hoses are not kinked.
4. The laundry is loaded into the machine and the door is closed firmly.
5. The appropriate amount of detergent and fabric softener has been added to the detergent dispenser.
6. The 'half load' button has been pressed where appropriate.
7. The correct temperature has been selected.
8. The Programme Selector knob has been turned to the appropriate programme (See wash chart on pages 8 and 9).

## **AFTER USE**

1. Turn off the hot and cold stopcocks to the machine.
2. Make sure that the Programme Selector is at the 'O' position.
3. Switch off and disconnect from the power supply.
4. Leave the porthole door slightly ajar to help machine to dry out.

## What's gone wrong?

If your machine won't work, check the following list and make sure that you haven't overlooked anything. It will certainly help you and us also.

1. Check that the machine is plugged in and switched on.
2. Check the fuse. You could try another appliance from the same outlet in case the main fuse has blown.
3. Be sure the hot and cold taps have been turned on fully.
4. Have you selected the Programme?
5. Look to see if the door is fully closed. The door safety switch prevents the heater and motor operating if the door is open.
6. Is your machine overloaded? If it is the motor protector switch will stop the machine. If overloading is the problem remove some of the clothes, taking care not to scald yourself in doing so.
7. Check that the drain and fill hoses are not kinked and have been fitted correctly (this is a very common cause particularly if the machine has been moved for any reason).
8. Does the drain screen need cleaning? (see page 6 but first drain of any water).
9. If the machine does not spin check for 'Pause' condition - see Wash Guide.

If your machine still does not work after checking the list please contact your nearest Service Branch, see list on page 16 or look under "Bendix" in the telephone book.

**Note** If on making a service call, our engineer discovers that the only attention required is to remedy one of the above conditions, a charge will be made whether or not the machine is in or out of the guarantee period or under Service Contract.

### **Moving House**

If you plan to move, contact your nearest Bendix Serviceman to see what should be done before and during moving of your machine particularly in respect of refitting the transit brackets/bars.

THORN EMI DOMESTIC APPLIANCES LIMITED  
SERVICE DEPOTS

**ABERDEEN:** 0224 572586

**ALDERSHOT:** 4 Blackwater Trading Estate, Lower Farnham Road,  
Aldershot GU12 4EX. Tel: 0252 29555. Telex: 858876

**BELFAST:** Prince Regent Road, Castlereagh, Belfast BT5 6QR.  
Tel: 0232 793209. Telex: 74695

**BIRMINGHAM:** Unit 15, Charlton Drive, Corngreaves Trading Estate, Cradley Heath,  
Warley, West Midlands B64 7BJ. Tel: 0384 64971. Telex: 336617

**BRISTOL:** Arno's Castle Trading Estate, Bath Road, Brislington, Bristol BS4 3JJ.  
Tel: 0272 773741. Telex: 449202

**CAMBRIDGE:** Broad Lane, Cottenham, Cambridge CB4 4SW.  
Tel: 0954 50025. Telex: 81312

**CANVEY ISLAND:** 2-4 Sandhurst, Kings Road, Canvey Island,  
Essex SS8 0QY. Tel: 0268 694144. Telex: 99416

**CARDIFF:** Guardian Industrial Estate, Clydesmuir Road, Tremorfa,  
Cardiff CF2 2QS. Tel: 0222 394131. Telex: 498616

**ELGIN:** Tel: 0343 45280

**GATESHEAD:** First Avenue, Team Valley Trading Est., Low Fell,  
Gateshead, Tyne & Wear NE11 0PW. Tel: 0632 873321. Telex: 537314.

**GLASGOW:** 20 Cunningham Road, Clyde Estate, Rutherglen,  
Glasgow G73 1PP. Tel: 041 647 4381. Telex: 779628

**INVERNESS:** 0463 33018

**LONDON:** Empire Way, Wembley, Middlesex HA9 0BA.  
Tel: 01 903 3421. Telex: 925755

**MANCHESTER:** Ashton Street, Dukinfield, Cheshire SK16 4RN.  
Tel: 061 330 5081. Telex: 666541

**NEWTON ABBOT:** Cross Grange Trading Estate, Heathfield,  
Newton Abbot, Devon TQ12 6TE. Tel: 0626 832033. Telex: 42656

**NOTTINGHAM:** Acorn Park, Midway City Industrial Estate,  
Dunkirk, Nottingham NG7 2TN. Tel: 0602 861131. Telex: 377251

**OXFORD:** Station Lane, Witney OX8 6BL. Tel: 0993 4411. Telex: 83393

**SOUTHAMPTON:** Unit 9B, Central Trading Estate, Marine Parade,  
Southampton SO1 1JF. Tel: 0703 28034. Telex: 477332

**SOUTHPORT:** Slaidburn Crescent, Fylde Road Industrial Estate,  
Southport PR9 9YF. Tel: 0704 29221. Telex: 677201

**TELFORD:** Unit D2, Stafford Park 4, Telford, Salop TF3 3AS.  
Tel: 0952 618721. Telex: 35417

**TONBRIDGE:** 36 Morley Road, Tonbridge, Kent TN9 1RA.  
Tel: 0732 357722. Telex: 95269

**WAKEFIELD:** Monckton Farm, Industrial Estate, Denby Dale Road,  
Wakefield WF2 7AU. Tel: 0924 371851. Telex: 557744

**DUBLIN:** THORN EMI Carlisle Ltd, Long Mile Road, Dublin 12. Tel: (01) 518666.



**THORN EMI Domestic Appliances Ltd**

New Lane, Havant, Hant PO9 2NH

Part No. 82009/2