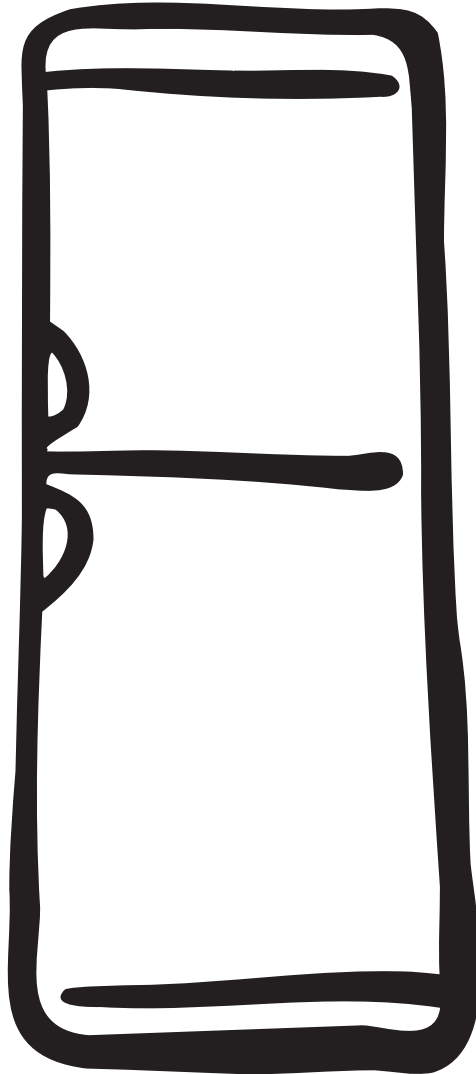


REFRIGERATOR- FREEZER COMBINATION

INSTRUCTION BOOK



ERB 8441

GB

This instruction book contains safety precautions, information on use and helpful hints and tips.

To ensure you use this appliance effectively and safely, please read this instruction book carefully before installing or using this appliance and retain for future reference.

The symbols below help you to find things more easily:



Safety precautions

Warnings and Safety information



Hints, useful information



Environmental information



The symbol on the product or on its packaging indicates that this product may not be treated as household waste. Instead it shall be handed over to the applicable collection point for the recycling of electrical and electronic equipment. By ensuring this product is disposed of correctly, you will help prevent potential negative consequences for the environment and human health, which could otherwise be caused by inappropriate waste handling of this product. For more detailed information about recycling of this product, please contact your local city office, your household waste disposal service or the shop where you purchased the product.

IMPORTANT SAFETY INSTRUCTIONS

These warnings are provided in the interests of your safety. Ensure that you understand them all before installing or using this appliance. Your safety is of paramount importance. If you are unsure about any of the meanings or these warnings contact the Customer Care Department.

Prior to installation

- Check the appliance for transport damage. Under no circumstances should a damaged appliance be installed. In the event of damage please contact your retailer.

Installation

- This appliance is heavy. Care should be taken when moving it.
- It is dangerous to alter the specifications or attempt to modify this product in any way.
- Ensure that the appliance does not stand on the electrical supply cable. If the supply cable is damaged, it must be replaced by a cable available from your local Service Force Centre.
- **Make sure that the power plug has not been squashed or damaged during transit.**
 - A damaged power plug may overheat and cause a fire.
- **As you unpack the appliance, check carefully for any signs of transit damage.**
- **Do not place heavy articles or the fridge/freezer itself on the power cord.**
 - There is a risk of a short circuit and fire.
- **Do not remove the power cord by pulling on its lead, particularly when the fridge/freezer is being pulled out of its niche.**
 - Damage to the cord may cause a short-circuit, fire and/or electric shock.
 - If the power cord is damaged, it must be replaced by a certified service agent or qualified service personnel.
- **If the power plug socket is loose, do not insert the power plug.**
 - There is a risk of electric shock or fire.
- Any electrical work required to install this appliance should be carried out by a qualified electrician or competent person.
- Parts which heat up should not be exposed. Whenever possible, the back of the appliance should be close to a wall, but leaving the required distance for ventilation, as stated in the installation instructions.
- The appliance should be left for 2 hours after installation before it is turned on, in order to allow the refrigerant to settle.

Child Safety

- Do not allow children to tamper with the controls or play with the product.
- Keep packaging materials away from children, to prevent the risk of suffocation!

Safety precautions for isobutane

Warning

- The refrigerant isobutane (R 600a) is contained within the refrigerant circuit of the appliance, a natural gas with a high level of environmental compatibility, which is nevertheless flammable.
- Keep ventilation openings, in the appliance enclosure or in the built-in structure, clear of obstruction.
- Do not use mechanical devices or other means to accelerate the defrosting process, other than those recommended by the manufacturer.

- Do not damage the refrigerant circuit.
- Do not use electrical appliances inside the food storage compartments of the appliance.

During Use

- This appliance is designed for domestic use only, specifically for the storage of edible foodstuffs. It is not intended for commercial or industrial use.
- Containers with flammable gases or liquids can leak at low temperatures. Do not store any containers with flammable materials, such as spray cans, fire extinguisher refill cartridges etc. in the appliance.
- Frozen food should not be refrozen once it has thawed out.
- Do not place carbonated or fizzy drinks in the freezer compartment.
- Ice lollies can cause 'frost/freezer burns' if consumed straight from the freezer.
- Do not remove items from the freezer compartment if your hands are damp/wet, as this could cause skin abrasions or frost/freezer burns.
- Bottles and cans must not be placed in the freezer compartment they can burst when the contents freeze.
- Manufacturers' recommended storage times should be adhered to. Refer to relevant instructions.

Maintenance and Cleaning

- Before cleaning, always switch off the appliance and disconnect from the electrical supply.
- When unplugging always pull the plug from the mains socket, do not pull on the cable.

Servicing

- This product should be serviced by an authorised engineer and only genuine spare parts should be used.
- Under no circumstances should you attempt to repair the appliance yourself. Repairs carried out by inexperienced persons may cause injury or serious malfunctioning. Contact your local Service Force Centre.


At the end of the Appliance Life

- When disposing of your appliance use an authorised disposal site.
- Remove the plug and ensure that any locks or catches are removed, to prevent young children being trapped inside.

The Appliance and the Environment

This appliance does not contain gases which could damage the ozone layer.

Avoid damaging the cooling unit.

The packaging used on this appliance marked with the  symbol is recyclable.

Keep this instruction book for future reference and ensure it is passed on to any new owner.

CONTENTS

Instructions for the User

Important Safety Instructions	3
General Information	5
Description of the appliance, main parts	5
Switch and indicator set	6
Handling the appliance	6
Putting in into use	6
Controlling the temperature, setting	6
How to use refrigerator	7
Storing in the refrigerator	7
Storage time and temoerature of foods	7
How to the the freezer	8
Freezing	8
Storing in the freezer	8
How to make ice cubes	8
Some useful information and advice	8
Hints and ideas	8
How to save energy	8
The appliance and environment	9
Maintenance	9
Defrosting	9
Regular cleaning	11
When the refrigerator is not in use	11
Trouble shooting	11
How to change the bulb	11
If something does not work	11
Something Not Working	12
Service and Spare Parts	13
Customer Care Department	13
Guarantee Conditions	14

Instructions for the Installer

Technical Data	15
Installing the Appliance	15
Transportation, Unpacking	15
Cleaning	15
Placement	15
Change of door opening direction	17
Electrical Connections	18
Storage Chart	19

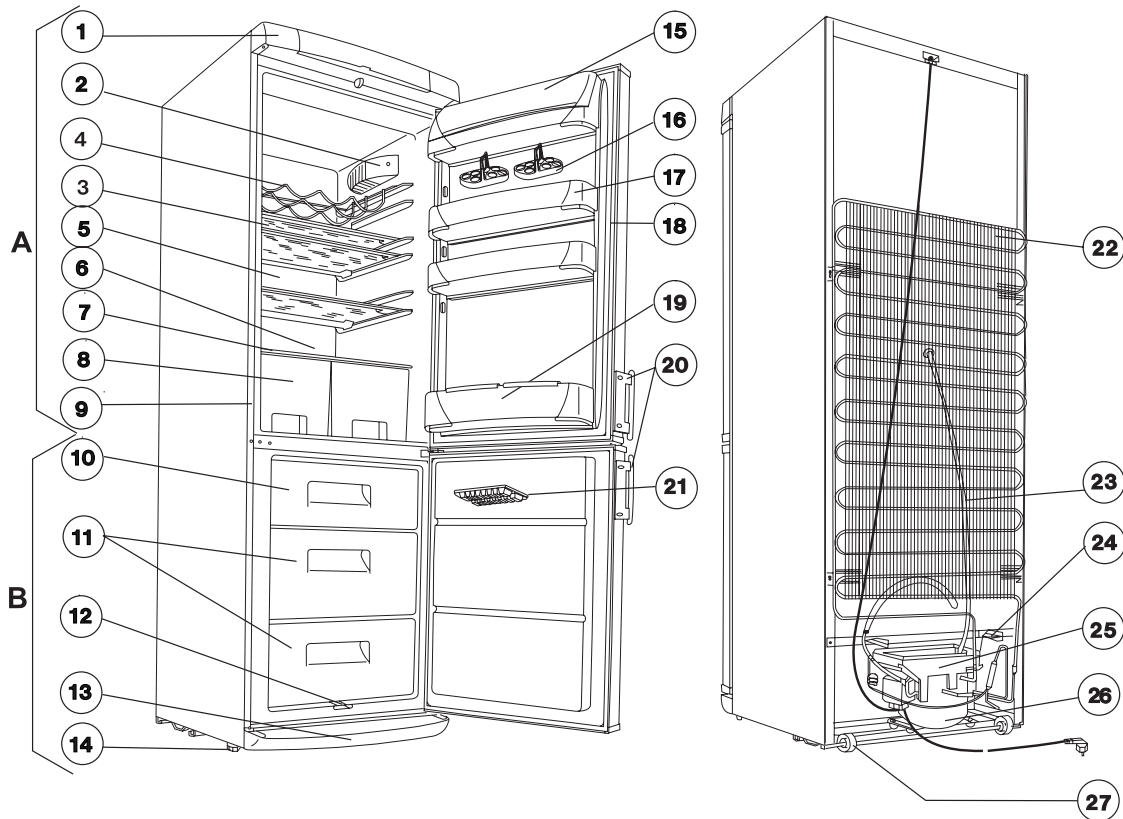
INSTRUCTIONS FOR THE USER

General information

This appliance is designed for the storage of refrigerated and frozen food in a domestic environment.

To ensure correct operation, the appliance should be located where the ambient temperature is between 10-32 °C.

Description of the appliance, main parts



A - Refrigerator

B - Freezer

1. Top with indicating switch
2. Lighting box
3. Glass shelves
4. Bottle rack
5. Cooling surface
6. Defrost water drain
7. Glass shelf
8. Vegetable boxes
9. Data label
10. Freezing compartment
11. Storing compartment(s)
12. Defrost water outlet
13. Bottom plinth

14. Adjustable feet

15. Butter compartment lid

16. Egg tray

17. Door shelf

18. Door gasket

19. Bottle shelf

20. Handles

21. Ice tray

22. Condenser

23. Defrost water outlet tube

24. Spacer

25. Evaporator tray

26. Compressor

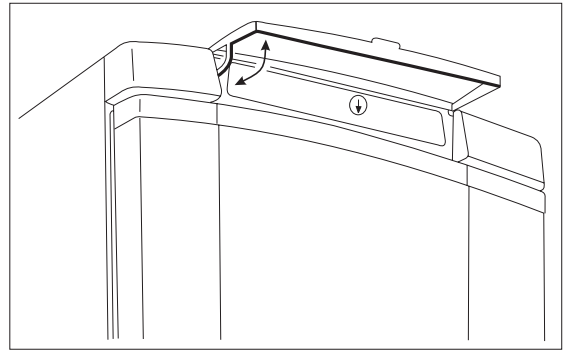
27. Rollers

Switch and indicator set

The following component can be found under a cover in the top frame:

A. Thermostat knob of the appliance

It is for setting the temperature in the appliance.



Handling the appliance

Putting it into use

Place the accessories into the appliance then plug to the mains socket.

The thermostat knob is under a cover in the top frame. You can switch the appliance on and set the temperature with it by turning the knob clockwise.

The next paragraph will give instructions for setting.

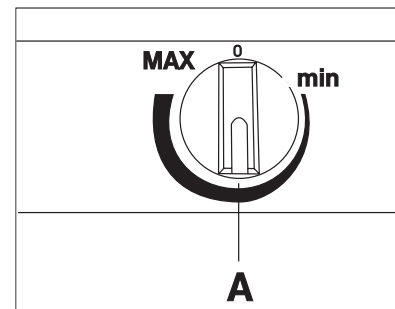
Controlling the temperature, setting

The thermostat interrupts the operation of the appliance automatically for more or less time depending on the setting then restarts it assuring the required temperature.

The closer it is set to „Max.” position the more intensive the refrigerating will be. When the thermostat knob is set to „Medium” position (between „Min.” and „Max.”), in the freezing compartment -18 °C, in the fresh food compartment +5 °C can be reached. Setting it to „Medium” position is adequate for everyday use.

The temperature coming about in the refrigerator is effected by not only the position of the thermostat but the ambient temperature, frequency of door openings and the quantity of food put into it newly, etc.

i In the maximum „Max.” position - in case of increased demand e.g. during heatwaves - the compressor may operate continually. This does not cause damages to the appliance.



How to use the refrigerator

i For adequate cooling developing interior air circulation is necessary. For this reason you are asked not to cover the air circulation gaps behind the shelves (e.g. with tray etc.).

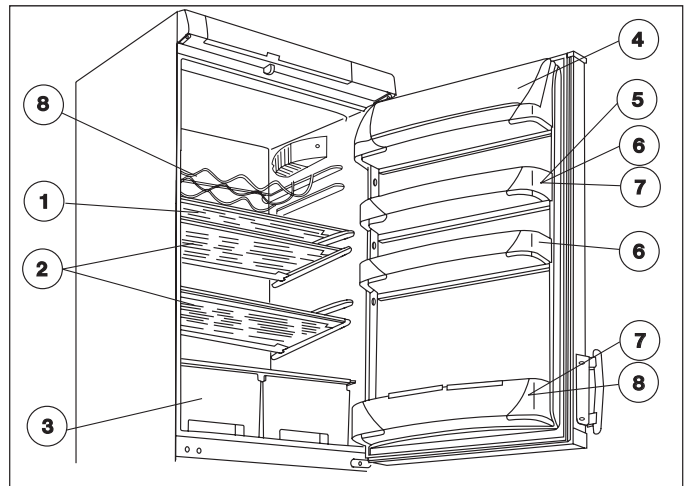
i Do not put hot food into the refrigerator. Allow it to reach room temperature naturally. In this way the unnecessary frost building up can be avoided.

i Foods can take over odours from each other. So it is essential to put foods in closed dishes or wrap them in cellophane, aluminium foil, grease-proof paper or cling film before placing them into the refrigerator. This way foods will keep their moisture e.g. vegetables will not dry out after some days.

Storing in the refrigerator

When placing the different kinds of food take into consideration the sketch below in figure:

1. Confectionery, ready-cooked foods, foods in dishes, fresh meat, cold cuts, drinks
2. Milk, dairy products, foods in dishes
3. Fruits, vegetables, salads
4. Cheese, butter
5. Eggs
6. Yoghurt, sour cream
7. Small bottles, soft drinks
8. Big bottles, drinks



Storage time and temperature of foods

The storage time chart at the end of the instruction book gives information about storage time.

The storage time can not be determined exactly in advance, as it depends on the freshness and handling of the cooled food. That is why the storage time made known is only informative.

If you do not want to use up deep-frozen foods bought immediately they can be stored for about 1 day (until dissolving) in the refrigerator.

How to use the freezer

Freezing

The appliance can be used to freeze fresh food of quantity specified on the data label. Freezing different products should always be done after proper preparing as follows.

Set the thermostat knob to a medium position.

Put the previously frozen food - or some of it - to another basket or baskets. Put the fresh food into the upper basket, leaving enough space for airflow. If there is some previously frozen food left in the upper basket, put this food into the back of the basket avoiding the contact between the fresh food and the already frozen food.

Run the appliance this way for 24 hours.

After 24 hours set the thermostat knob according to your choice or leave it in a medium position, which is in general appropriate for everyday cooling needs.

Should you want to freeze the quantity declared by the producer, remove the upper basket from the appliance and put the fresh food uniformly distributed directly on the cooling surface.

i Setting the thermostat knob to a higher (e.g. maximum) position is not recommended.

Although doing so would make the freezing time shorter, on the other hand the temperature of the fridge compartment may go permanently below 0°C, what yields freezing the food and drinks stored there.

i **Never freeze food in bigger quantity than given in the 'Technical data' at the same time, otherwise freezing will not be thorough and after dissolving various deterioration may take place (losing taste and aroma, lysing, etc.).**

i Do not make ice during freezing preferably, because making ice reduces freezing capacity.

Storing in the freezer

It is practical to replace frozen products into the basket(s) after freezing has finished. Doing this you could make room in the freezing compartment for another freezing. Intermediate freezing does not deteriorate foods already stored.

In large quantities of food are to be stored, remove the baskets except the lowermost one from appliance and place food on the cooling surface.

i Do not forget to keep to the storage time given on the packaging of frozen products if you buy them frozen. To store home-frozen products see the storing instructions placed in the door of the freezer. Symbols signify the various foods, numbers mean maximum storing time given in months.

i It is safe to store quick-frozen, frozen foods only if they have not dissolved even for a short time until placing them into the freezer. If the deep-frozen food has already dissolved, refreezing is not recommended, it has to be used up as soon as possible.

How to make ice cubes

To make ice cubes fill the enclosed ice cube tray with water and put it to the frozen food compartment. Wetting the bottom of the tray and setting thermostatic control knob to maximum position can shorten preparing time. After finishing do not forget to reset the thermostatic control to the suitable position.

Ready ice cubes can be taken out of the tray under running water then twist or hit it. If the ice tray freezes to the compartment, avoid using metal tools or knife to take it out as the cooling system can be damaged.

i Some useful information and advice

- The variable shelves are worth paying attention to, which increases the usability of the fresh food compartment considerably. Rearranging the shelves is also possible when the door is open at an angle of 90°.
- After opening and closing the door of freezer vacuum will rise inside the appliance because of the low temperature. So wait 2-3 minutes after closing the door - if you want to open it again - while inner pressure equalises.
- Take care of operating the freezer at a position of thermostatic control so that the inside temperature can never go above -18 °C, since temperature higher than this can deteriorate frozen foods.
- It is practical to make sure of faultless operation of the appliance daily so as to notice possible failure in time and prevent deterioration of frozen foods.

Hints and ideas


In this chapter practical hints and ideas are given about how to use the appliance to reach maximum energy saving and there is environmental information about the appliance as well.

i How to save energy

- Avoid putting the appliance in a sunny place and near anything that gives off heat.
- Be sure that the condenser and the compressor are well ventilated. Do not cover the sections where ventilation is.
- Wrap products in tightly closing dishes or cling film to avoid building up unnecessary frost.
- Do not leave the door open longer than necessary and avoid unnecessary openings.
- Put warm foods into the appliance only when they are at room temperature.
- Keep the condenser clean.

The appliance and environment

This appliance does not contain gases which could damage the ozone layer, in either its refrigerant circuit or insulation materials. The appliance shall not be discarded together with the urban refuse and rubbish. Avoid damaging the cooling unit, especially at the rear near the heat exchanger. Information on your local disposal sites may be obtained from your municipal authorities.

The materials used on this appliance marked with the symbol  are recyclable.

Maintenance


Defrosting

Bleeding part of the moisture of cooling chambers in form of frost and ice goes with the operation of the appliance.

Thick frost and ice has an insulating effect, so it reduces cooling efficiency as the temperature increases in the cooling chambers, they need more energy.

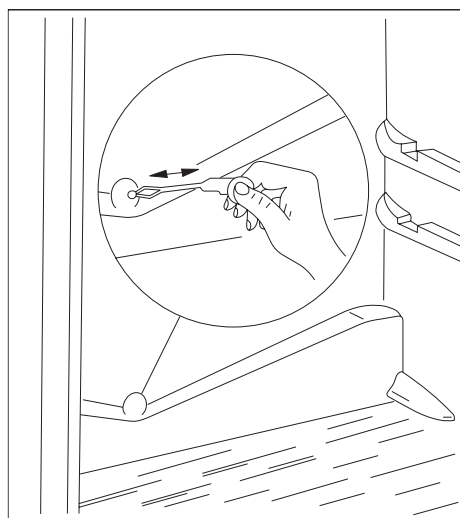
At this type of appliance defrosting the cooling surface of the refrigerator is automatic without any external intervention. The thermostatic control interrupts the operation of compressor at regular intervals for more or less time - during this cooling is interrupted - the temperature of the cooling surface goes above 0 °C due to interior heating load of the compartment, so defrosting occurs. When the surface temperature of the cooling surface has reached +3 - +4 °C the thermostatic control restarts operation of the system.

Melting water flows through defrost water outlet leaded through the back into the evaporator tray maintained on the top of compressor and evaporates due to its warmth.

 **Check and clean the outlet of melting water coming during defrosting regularly - a label inside the appliance warns you for this. If it is clogged the melting water gathered can cause earlier failure as it can go to the insulating of the appliance.**

Clean the melting water outlet with the supplied pipe scraper that can be seen in the figure. The pipe scraper has to be stored in the outlet.

The most typical case of clogging up in the melting water outlet when you put food wrapped in some paper into the appliance and this paper contacts back plate of the refrigerator and freezes to it. If you remove the food right at this moment the paper will tear and it can cause clogging up in the outlet by getting into it. So you are asked to be careful - because of the above - when placing foods wrapped in paper into the appliance.



i In case of increased demand e.g. during heatwaves, the refrigerator temporarily happens to operate constantly - during this the automatic defrosting does not work.

Remaining small ice and frost stains on back plate of the refrigerator after defrosting period is not abnormal.

The freezer can not be equipped with automatic defrosting set since the deep-frozen and frozen foods do not endure melting temperature.

When small frost and ice occurs scrape off and remove frost and ice coating with the supplied plastic scraper.

When ice coating is so thick that it cannot be removed with the plastic scraper, the cooling gill have to be defrosted. Frequency of defrosting depends on usage (generally 2-3 times a year).

Take the frozen foods out of the appliance, and put them into a basket lined with paper or cloth. Store them in a possibly cool place or replace them into another refrigerator.

Pull out the mains plug from the mains socket, so both parts of the appliance are out of operation.

Open the doors of both parts of the appliance and clean the refrigerator according to 'Regular cleaning'. Maintain and clean the freezer as following:

Sweep off the melting water with a cloth or sponge in direction of sides of the cooling plates. The melting water swept down gathers in the outlet channel practically formed in the bottom of the appliance and can be removed according to figure.

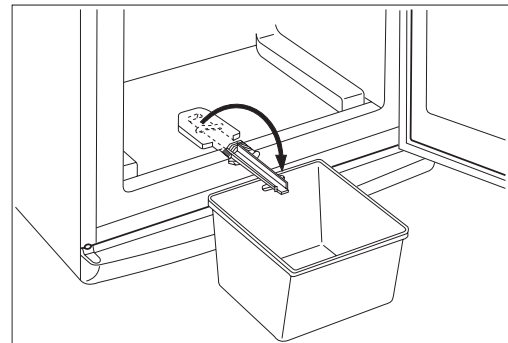
Put an adequately high bowl or dish under the outlet.

The bowl in figure is not a piece of accessories to the appliance!

Wipe the surfaces after defrosting and leading the water out.

Put the mains plug into the mains socket and put foods taken out back to their places.

It is recommended to operate the appliance at the highest position of the thermostatic control for some hours so that it can reach the sufficient storing temperature as soon as possible.



Regular cleaning

It is recommended to wash the inside of the refrigerator in 3-4 weeks time using lukewarm water then wipe it (it is practical to clean the inside of the freezer and defrost it at a time).

Household cleaner or soap must not be used.

After breaking the circuit wash the appliance with lukewarm water then wipe it. Clean the door gasket with clean water. After cleaning apply voltage to the appliance.

It is recommended to remove the dust and dirt collected on the back of the refrigerator and the condenser and to clean the evaporative tray on top of the compressor once or twice a year.

When the refrigerator is not in use

In case the appliance will not be used for a long time follow these steps:

Break the circuit of the appliance.

Remove foods from the refrigerator.

Defrost and clean it as written before.

Leave the door open to avoid a build up of air inside.

Trouble shooting

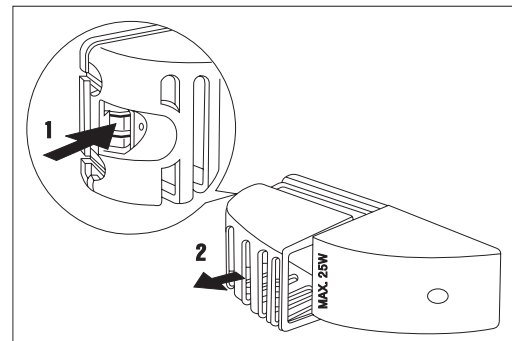
How to change the bulb

Should the light fail to work you can change it as below:

Break the circuit of the appliance.

Press the rear hook (1) and at the same time slide the cover in the direction indicated by the arrow (2). So the bulb can be replaced. (Bulb type: T 25 230-240 V, 25 W, E 14 thread)

After changing the bulb replace the cover, snap it in place and apply voltage to the appliance.



If something does not work

During operation of the appliance some smaller but annoying trouble can often occur, which does not require calling a technician out. In the following chart information is given about them to avoid unnecessary charges on service.

We draw your attention that operation of appliance goes with certain sounds (compressor- and circulating sound). This is not trouble, but means normal operation.



We draw it to your attention again that the appliance operates discontinuously, so the stopping of compressor does not mean being no-current. That is why you must not touch the electrical parts of the appliance before breaking the circuit.

Problem	Possible cause	Solution
It is too warm in the refrigerator.	Thermostatic control can be set wrongly. If products are not cold enough or placed wrongly. The door does not close tightly or it is not shut properly.	Set the thermostat knob to higher position. Place the products to the appropriate place. Check if the door closes well and the gasket is unhurt and clean.
It is too warm in the freezer.	Thermostatic control can be set wrongly. The door does not close tightly or it is not shut properly. Products in big quantity to be frozen were put in. Products to be frozen are placed too closely to each other.	Set the thermostat knob to higher position. Check if the door closes well and the gasket is unhurt and clean. Wait some hours and then check the temperature again. Place the products in a way so that cold air could circulate among them.
Water flows at the back plate of the refrigerator. Water flows into the chamber. Water flows onto the floor.	It is normal. During automatic defrosting frost melts on the back plate. The outlet of the chamber can be clogged up. Products placed in can prevent water from flowing into the collector. The melting water outlet flows not into the evaporative tray above the compressor.	Clean the outlet. Replace the products so that they can not touch the back plate directly. Put the melting water outlet to the evaporative tray.
There are too much frost and ice.	Products are not wrapped properly. Doors are not shut properly or do not close tightly. The thermostatic control can be set wrongly.	Wrap the products better. Check if the doors close well and the gaskets are unhurt and clean. Set the thermostat knob to a position that gives higher temperature.
The compressor operates continually.	The thermostatic control is set wrongly. Doors are not shut properly or do not close tightly. Products in big quantity to be frozen were put in. Too warm food was put in. The appliance is in too warm place.	Set the thermostat knob to a position that gives higher temperature. Check if the doors close well and the gaskets are unhurt and clean. Wait some hours and then check the temperature again. Put food at max. room temperature. Try to reduce the temperature in the room where the appliance stands.
The appliance does not work at all. Neither cooling, nor lighting works.	Plug is not connected to the mains socket properly. The fuse burnt out. The thermostatic control is not on. There is no voltage in the mains socket. (Try to connect another appliance into it.)	Connect the mains plug properly. Change the fuse. Start the appliance according to instructions in chapter 'Putting it into use'. Call an electrician.
The appliance is noisy.	The appliance is not supported properly.	Check if the appliance stands stable (all the four feet should be on the floor).

Inasmuch as the advice does not lead to result, call the nearest brand-mark service.

Service and Spare Parts

In the event of your appliance requiring service, or if you wish to purchase spare parts, please contact your local Service Force Centre by telephoning:-

08705 929929

Your telephone call will be automatically routed to the Service Force Centre covering your post code area.

For the address of your local Service Force Centre and further information about Service Force, please visit the website at www.serviceforce.co.uk

Before calling out an engineer, please ensure you have read the details under the heading "Something Not Working."

When you contact the Service Force Centre you will need to give the following details:

1. Your name, address and post code
2. Your telephone number
3. Clear and concise details of the fault
4. The model and serial number of the appliance (found on the rating plate)
5. The purchase date

Please note that a valid purchase receipt or guarantee documentation is required for in-guarantee service calls.

For Customer Service in Ireland please contact us at the address below:

Electrolux
Electrolux Group (Irl) Ltd
Long Mile Road
Dublin 12
Republic of Ireland

Tel: +353 (0)1 4090751

Email: service.eid@electrolux.ie

Customer Care Department

For general enquiries concerning your Electrolux appliance or for further information on Electrolux products, please contact our Customer Care Department by letter or telephone at the addresses below or visit our website at www.electrolux.co.uk

Customer Services Department

Major Appliances

Electrolux
Addington Way
Luton
Bedfordshire
LU4 9QQ

Tel: 08705 950950 calls to this number may be recorded for training purposes.

Guarantee Conditions

We Electrolux undertake that if within 12 months of the date of the purchase this ELECTROLUX appliance or any part thereof is proved to be defective by reason only of faulty workmanship or materials, the company will, at our option repair or replace the same FREE OF CHARGE for labour, materials or carriage on condition that:

- The appliance has been correctly installed and used only on the electrical supply stated on the rating plate.
- The appliance has been used for normal domestic purposes only, and in accordance with the manufacturer's instructions.
- The appliance has not been serviced, maintained, repaired, taken apart or tampered with by any person not authorised by us.
- All service work under this guarantee must be undertaken by a Service Force Centre.
- Any appliance or defective part replaced shall become the Company's property.

Home visits are made between **8.30am** and **5.30pm Monday to Friday**. Visits may be available outside these hours in which case a premium will be charged.

EXCLUSIONS

This Guarantee does not cover:

Damage or calls resulting from transportation, improper use or neglect, the replacement of any light bulbs or removable parts of glass or plastic.

- Costs incurred for calls to put right an appliance improperly installed or calls to appliances outside the United Kingdom.
- Appliances found to be in use within a commercial environment, plus those which are the subject of rental agreements.
- Products of Electrolux manufacture which are not marketed by Electrolux.

The guarantee is in addition to your statutory and legal rights.

EUROPEAN GUARANTEE

If you should move to another country within Europe then your guarantee moves with you to your new home subject to the following qualifications:

- The guarantee starts from the date you first purchased your product.
- The guarantee is for the same period and to the same extent for labour and parts as exists in the new country of use for this brand or range of products.
- This guarantee relates to you and cannot be transferred to another user.
- Your new home is within the European Community (EC) or European Free Trade Area.
- The product is installed and used in accordance with our instructions and is only used domestically, i.e. a normal household.
- The product is installed taking into account regulations in your new country.

Before you move please contact your nearest Customer Care Centre, listed below, to give them details of your new home. They will then ensure that the local Service Organisation is aware of your move and able to look after you and your appliances.

France	Senlis	+33 (0) 344 62 29 29
Germany	Nuremberg	+49 (0) 800 234 7378
Italy	Pordenone	+39 (0) 0434 39 4700
Sweden	Stockholm	+46 (0) 8 672 53 90
UK	Luton	+44 (0) 8705 950 950
Ireland	Dublin	+353 (0)1 4090751

Instructions for the Installer

Technical data

Model	ERB 8441
Gross capacity (l)	Freezer: 226 Refrigerator: 110
Net capacity (l)	Freezer: 223 Refrigerator: 92
Width (mm)	595
Height (mm)	1790
Depth (mm)	632
Energy consumption (kWh/24h) (kWh/year)	0,93 339
Energy class, according to EU standards	A
Freezing capacity (kg/24h)	4
Rising time (h)	20
Rated current (A)	0,9
Weight (kg)	66
Number of compressors	1

Installing the appliance

Transportation, unpacking

i It is recommended to deliver the appliance in original packaging, in vertical position considering the protective warning on packaging.

After each transportation the appliance must not be switched on for approx. 2 hours.

Unpack the appliance and check if there are damages on it. Report possible damages immediately to the place you bought it. In that case retain packaging.

Cleaning

Remove every adhesive tape and everything else, which ensure the accessories not to move in the appliance.

Wash the inside of the appliance using lukewarm water and mild detergent. Use soft cloth.

After cleaning wipe out the inside of the appliance.

Placement

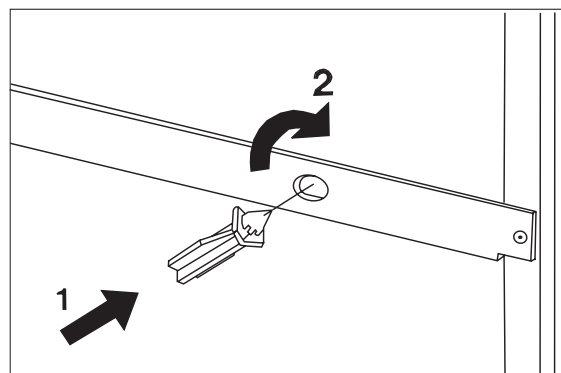
The ambient temperature has an effect on the energy consumption and proper operation of the appliance. When placing, take into consideration that it is practical to operate the appliance between ambient temperature limits according to the climate class that is given in the chart below and can be found in the data label.

Class of climate	Ambient temperature
SN	+10 ... +32 °C
N	+16 ... +32 °C
ST	+18 ... +38 °C

If the ambient temperature goes below the lower data the temperature of the cooling compartment can go beyond the prescribed temperature.

If the ambient temperature goes beyond the upper data this means longer operating time of the compressor, breakdown in the automatic defrosting increasing temperature in the cooling compartment or increasing energy consumption.

Mount the spacers supplied in the plastic bag of the accessories. Hold the spacer as shown on the Fig., knock it home, then turn it by 90°. (Into the oval holes of back side of the appliance.)



When placing the appliance ensure that it stands level. This can be achieved by two adjustable feet at the bottom in front.

Do not stand the appliance on a sunny place or close to a radiator or cooker.

If it is unavoidable because of furnishing and the appliance has to be stood near a cooker take these minimum distances into consideration:

- In case of gas or electric cooker 3 cm must be left, when it is less put a 0,5-1 cm non-flam insulation between the two appliances.
- In case of oil or coal-fired stove the distance must be 30 cms since they give off more heat.

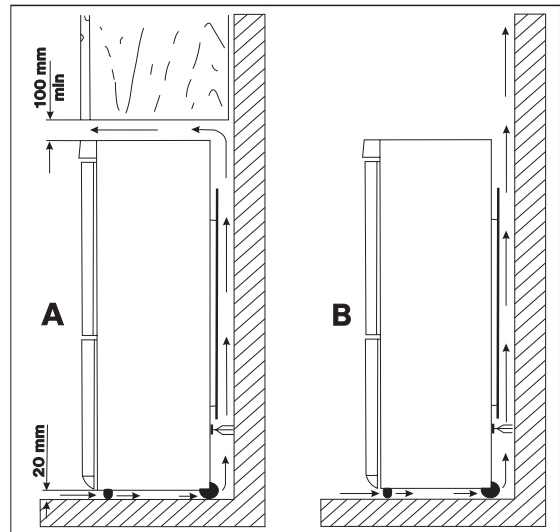
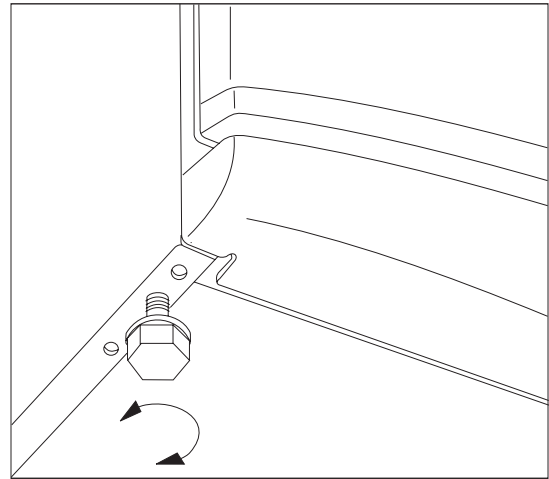
The refrigerator is designed to operate when it is totally pushed to the wall.



When placing the refrigerator keep minimal distances recommended in figure.

A : placing it under a wall-cupboard

B : placing it freely



Change of door opening direction

Should the setting-up place or handling demand it, door-opening direction can be refitted from right-handed to left-handed.

Appliances on the market are right-handed.

Following operations are to be done on the basis of figures and explanations:

- To perform the operations listed below it is recommended to ask another person for help who safely can keep the doors while performing the operations.
- Disconnect the appliance from the electricity supply.
- Open the doors and dismantle the double door hinge (a,b) by removing the screws (2 pieces) (c). (fig.2)
- Take off the double door hinge (a,b,c) by gradually removing it from the cabinet, slightly tilting both doors. Do not forget to remove the plastic spacer (b) under the hinge. (fig.2)
- Take off the refrigerator door by pulling it slightly downwards.
- Take off the freezer door by pulling it slightly upwards.
- Remove the plug on the upper side of the refrigerator door and put it to the other side.
- Remove the plug on the upper side of the freezer door and put it to the other side.
- Unscrew the top door hinge pin (d) of the refrigerator then screw it back on the other side. (fig.1)
- Remove the insert of the plinth (e) by a screwdriver. (fig.3)
- Unmount the lower hinge pin (f) and its washer (h) and mount them on the other side. (fig.3)
- Replace the insert of the plinth (e) on the other side.
- Remove the covering nails (3 pieces) (n,k) of the double door holder on the left side and put them to the other side. (fig.2)
- Fit the pin of the double door hinge (m) into the left drill of the freezer door. (fig.2)
- Fit the freezer door to the lower door hinge pin (f). (fig.3)
- Fit the refrigerator door to the upper door hinge pin (d) then slightly tilting both doors fit the pin of the double door hinge (m) into the left drill of the refrigerator door.
- Opening both doors fix the double door hinge onto the left side using the screws (2 pieces) (c). Do not forget to replace the plastic spacer (b) under the hinge. Be careful that the door edges are parallel with the edge of the mantle.
- Put over the handles (r) on the other side and put the plastic covering nails (p) supplied in the plastic bag of this instruction book into the holes set free. (fig.4)
- Put the appliance to its place, set it level, and apply to voltage it.

In case you do not want to perform the procedures above, call the nearest brand-mark service. Technicians will accomplish the refitting expertly for charge.

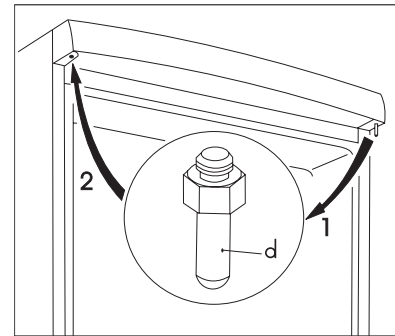


fig. 1.

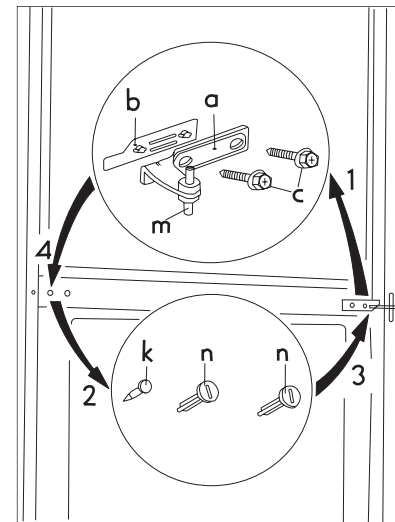


fig. 2.

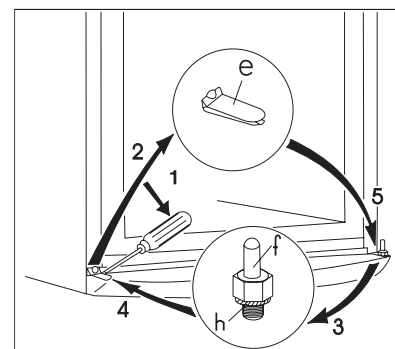


fig. 3.

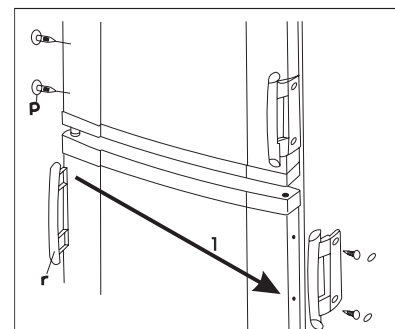



fig. 4.

Electrical Connection

 Any electrical work required to install this appliance should be carried out by a qualified electrician or competent person.

This appliance must be earthed.

The manufacturer declines any liability should these safety measures not be observed.

Electrical Requirements

Before switching on, make sure the electricity supply voltage is the same as that indicated on the appliance rating plate.

The appliance is supplied with a 13 amp plug fitted. In the event of having to change the fuse in the plug supplied, a 13 amp ASTA approved (BS 1362) fuse must be used. Should the plug need to be replaced for any reason. The wires in the mains lead are coloured in accordance with the following code:

Green and Yellow: Earth

Blue: Neutral

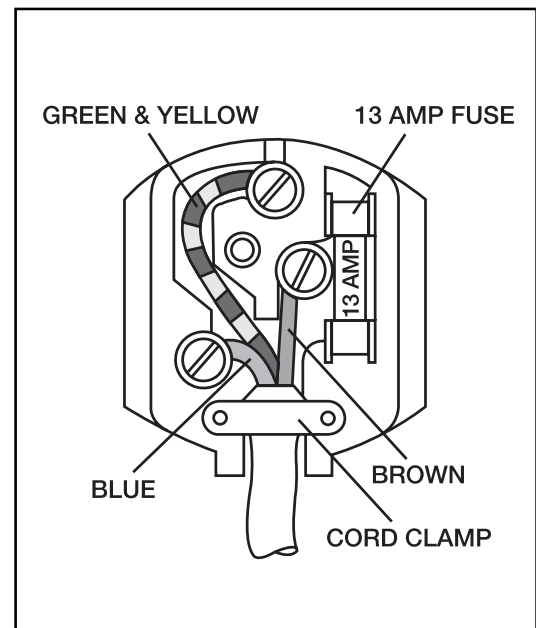
Brown: Live

The wire coloured green and yellow must be connected to the terminal marked with the letter „E“ or by the earth symbol \oplus or coloured green and yellow.

The wire coloured blue must be connected to the terminal „N“ or coloured black.

The wire coloured brown must be connected to the terminal marked „L“ or coloured red.

Upon completion there must be no cut, or stray strands of wire present and the cord clamp must be secure over the outer sheath.



 **Important!**


The plug must still be accessible after the appliance has been installed.

The appliance should not be connected to the electrical supply by means of an extension cable.

In case that the electrical cable has to be replaced, please contact your local Service Force Centre.

 **Warning!**

A cut off plug inserted into a 13 amp socket is a serious safety (shock) hazard. Ensure that it is disposed of safely.

 This appliance complies with the following E.E.C. Directives:

- **73/23 EEC** of 19.02.73 (Low Voltage Directive) and subsequent modifications,
- **89/336 EEC** of 03.05.89 (Electromagnetic Compatibility Directive) and subsequent modifications.

Storage time chart

Time and method of storage of fresh foods in the refrigerator

Foods	Storage time in days							Method of packaging
	1	2	3	4	5	6	7	
Raw meat	X	X	x	x	x			cling film, airtight
Cooked meat	X	X	X	x	x	x		dish covered
Roasted meat	X	X	X	x	x			dish covered
Raw minced meat	X							dish covered
Cooked minced meat	X	X	x	x				dish covered
Cold cuts	X	X	x	x				cling film, cellophane, grease-proof paper
Fresh fish	X	x	x					cling film, airtight
Cooked fish	X	X	x	x				dish covered
Tinned fish, open	X	x	x					dish covered
Fresh chicken	X	X	X	x	x	x		cling film, airtight
Fried chicken	X	X	X	x	x	x		dish covered
Fresh duck, goose	X	X	X	x	x	x		cling film, airtight
Roasted duck, goose	X	X	X	X	x	x	x	dish covered
Butter unopened	X	X	X	X	X	X	X	original packaging
Butter opened	X	X	x	x	x	x	x	original packaging
Milk	X	X	X	x	x			original packaging
Cream	X	X	x	x				plastic box
Sour cream	X	X	X	X	x	x	x	plastic box
Cheese (hard)	X	X	X	X	X	X	X	aluminium foil
Cheese (soft)	X	X	X	X	x	x	x	cling film
Egg	X	X	X	X	X	X	X	
Spinach, sorrel	X	X	x	x				cling film
Green peas, green beans	X	X	X	X	x	x	x	cling film
Mushroom	X	X	x	x	x			cling film
Carrot	X	X	X	X	X	X	X	cling film
Tomato	X	X	X	X	X	X	X	cling film
Cabbage	X	X	X	X	X	x	x	cling film
Fruits (Strawberry, raspberry, etc.)	X	X	X	x	x			cling film
Tinned fruits opened	X	X	X	x	x			dish covered
Cakes filled with cream	X	X	x	x				dish covered

Notation:

- X** recommended storage time
- x** maximum recommended storage time

© Electrolux plc 2005

ELECTROLUX HOME PRODUCTS OPERATIONS EUROPE

 **From the Electrolux Group. The world's No.1 choice.**

The Electrolux Group is the world's largest producer of powered appliances for kitchen, cleaning and outdoor use. More than 55 million Electrolux Group products (such as refrigerators, cookers, washing machines, vacuum cleaners, chain saws and lawn mowers) are sold each year to a value of approx. USD 14 billion in more than 150 countries around the world.

2005. 08. 08.

Printed By Océ Hungária Kft.