

# User manual



**Welcome to the world of Electrolux**




Thank you for choosing a first class product from Electrolux, which hopefully will provide you with lots of pleasure in the future. The Electrolux ambition is to offer a wide variety of quality products that make your life more comfortable. You find some examples on the cover in this manual. Please take a few minutes to study this manual so that you can take advantage of the benefits of your new machine. We promise that it will provide a superior User Experience delivering Ease-of-Mind. Good luck!

# Contents

GB

Safety warnings .....	5
Description of the Appliance .....	7
Control Panel .....	8
Maintenance and Care .....	9
Special accessories .....	14
Something Not Working .....	14
Installation .....	15

The following symbols are used in this user manual:

-  Important information concerning your personal safety and information on how to avoid damaging the appliance.
-  General information and tips.
-  Environmental information.



## Safety warnings


- When used as an extractor unit, the hood must be fitted with a hose having preferably the same diameter as the outlet hole.  
**Attention:** The hose is not supplied and must be purchased separately.
- The minimum distance between the supporting surface for the cooking vessels on the hob and the lowest part of the range hood must be not less than **60cm** from electric cookers and **70cm** from gas or mixed cookers.  
If the instructions for installation for the gas hob specify a greater distance, this must be adhered to.
- Before any cleaning or maintenance operation, disconnect the hood from the mains by removing the plug or disconnecting the home mains switch.
- The appliance is not intended for use by children or persons with impaired physical, sensorial or mental faculties, or if lacking in experience or know-how, unless they are under supervision or have been trained in the use of the appliance by a person responsible for their safety.
- Children should be monitored to ensure that they do not play with the appliance.
- Never use the hood without effectively mounted grating.!
- The hood must NEVER be used as a support surface unless specifically indicated.
- The premises must be sufficiently ventilated, when the kitchen hood is used together with other gas combustion devices or other fuels.
- The suctioned air must not be conveyed into a conduit used for the disposal of the fumes generated by appliances that combust gases or other fuels.
- The flaming of foods beneath the hood itself is severely prohibited.
- The use of exposed flames is detrimental to the filters and may cause a fire risk, and must therefore be avoided in all circumstances.
- Any frying must be done with care in order to make sure that the oil does not overheat and burst into flames.
- As regards the technical and safety measures to be adopted for fume discharging it is important to closely follow the relations provided by the competent authorities.
- The hood must be regularly cleaned on both the inside and outside (AT LEAST ONCE A MONTH, it is in any event necessary to proceed in accordance with the maintenance instructions provided in this manual)..
- Failure to follow the instructions as concerns hood and filter cleaning will lead to the risk of fires.
- Do not use or leave the hood without the lamp correctly mounted because of the possible risk of electric shocks.

- We decline any responsibility for any problems, damage or fires caused to the appliance as the result of the non-observance of the instructions included in this manual.

This appliance is marked according to the European directive 2002/96/EC on Waste Electrical and Electronic Equipment (WEEE).

By ensuring this product is disposed of correctly, you will help prevent potential negative consequences for the environment and human health, which could otherwise be caused by inappropriate waste handling of this product.



The symbol  on the product, or on the documents accompanying the product, indicates that this appliance may not be treated as household waste. Instead it should be taken to the appropriate collection point for the recycling of electrical and electronic equipment.

Disposal must be carried out in accordance with local environmental regulations for waste disposal. For more detailed information about treatment, recovery and recycling of this product, please contact your local council, your household waste disposal service or the shop where you purchased the product.

## Description of the Appliance

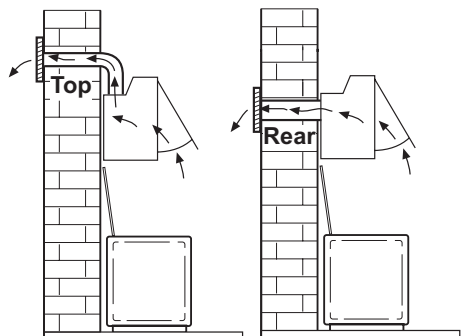
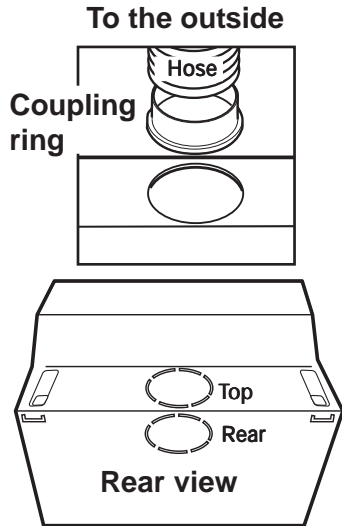
- **The cooker hood is designed to extract unpleasant odours from the kitchen, it will not extract steam.**
- The hood is supplied as an extractor unit and can also be used with a recirculation mode by fitting a charcoal filter.

### Attention!

EFI 60011 - EFI 60012:  
one charcoal filter  
EFI 60013:  
two charcoal filters

### Extraction mode

- In this mode fumes are extracted to the outside via a **hose** connected to the **coupling ring**.
- Note:** The coupling ring may be placed on the top or on the rear exhaust according to the needs.
- In order to obtain the best performance the hose should have a diameter equal to the outlet hole.

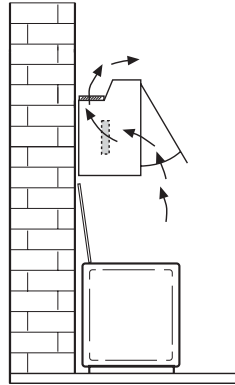


## Recirculation mode

- The air is filtered through a **charcoal filter** and returned to the kitchen.

### Attention!

- EFI 60011 - EFI 60012:  
one charcoal filter
- EFI 60013:  
two charcoal filters



## Control Panel

- Best results are obtained by using a low speed for normal conditions and a high speed when odours are more concentrated.

Turn the hood on a few minutes before you start cooking.

The hood should be left on after cooking for about 15 minutes or until all the odours have disappeared.

The control switches are located on the unit's front panel:

- the **light switch** switches the hood lamp on and off
- the **motor switch** switches the motor on and off, enabling you to select one of the three different speeds.

The EFI 60012 and EFI 60013 hoods are also equipped with a micro-switch which can be found under the lower runner of the visor on the right hand side.

With this micro-switch, the appliance may be automatically switched on and off by opening and closing the pull-out panel, but only if the fan speed has already been set and the light switch is turned to "I".



**Light switch**      **Motor switch**



# Maintenance and Care



**Attention!** Before performing any maintenance operation, isolate the hood from the electrical supply by switching off at the connector and removing the connector fuse.

Or if the appliance has been connected through a plug and socket, then the plug must be removed from the socket.

## Metal grease filter

- The purpose of the grease filters is to absorb grease particles which form during cooking and it **must** always be used, either in the external extraction or internal re-circulation function.

### • EFI 60011 only:

The synthetic filter is very thin (approx. 1 mm) and positioned on the inside of its related support grill.

The filter should be changed once a month.

The grill should be cleaned with luke warm water and non-abrasive detergent when you change the filter.

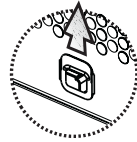
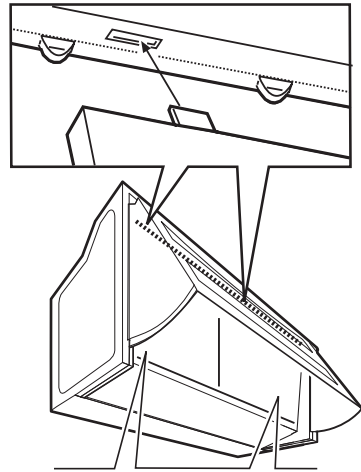
The grease filter can be ordered from your local Service Force Centre.

### • EFI 60012 - EFI 60013 only:

The metal grease filters must be removed and washed, either by hand or in the dishwasher, every four weeks.

### Hand washing

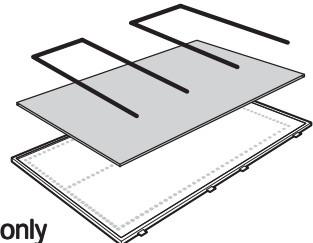
Soak grease filters for about one hour in hot water with a grease-loosening cleaner, then rinse off thoroughly with hot water. Repeat the process if necessary. Refit the grease filters when they are dry.



EFI 60011



EFI 60012  
EFI 60013



EFI 60011 only

## Dishwasher

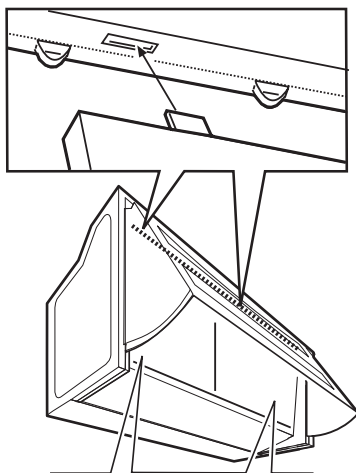
Place grease filters in the dishwasher. Select most powerful washing programme and highest temperature, at least 65°C. Repeat the process. Refit the grease filters when they are dry.

When washing the metal grease filter in the dishwasher a slight discolouration of the filter can occur, this does not have any impact on its performance.

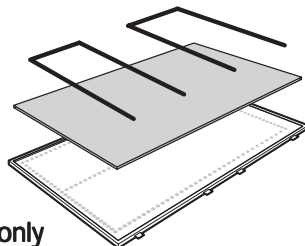
- **Opening the grill (EFI 60011) or the metal grease filter (EFI 60012 - EFI 60013):**

Move the handles upwards, then extract the grill/filter outwards. **Fig. 4.** **To refit the grill (EFI 60011) or the metal grease filter (EFI 60012 - EFI 60013):** fit above on the appropriate supports, and fixed in the lower part with the handles.

- **Removing the synthetic filter:** Remove the stops to take out the filter.



EFI 60011

EFI 60012  
EFI 60013

EFI 60011 only

- Clean the inner housing using a hand hot solution only (never use caustic detergents, abrasive powders or brushes).

## Charcoal filter

- The charcoal filter should only be used if you want to use the hood in recirculation mode.
- The charcoal filter cannot be washed nor regenerated.

The charcoal filter should be replaced every 4 months under normal use. Replacement filters are available from your local Service Force Centre.

### Fitting

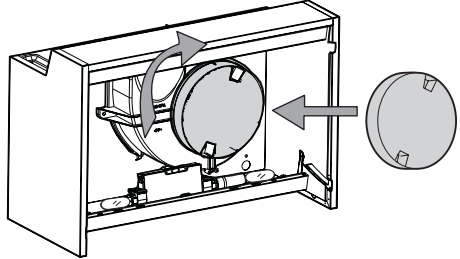
Remove the grill or the metal grease filter.

Place the charcoal filter to cover the grill that protects the extraction motor so that the slots on the filter correspond to the pins on the sides of the motor protection grill.

Turn the filter clockwise in order to lock the filter into position.

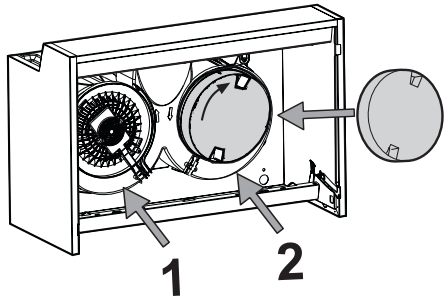
Remount the grid or the metal grease filter.

- **To remove** proceed in the reverse order.



EFI 60011 = 1 charcoal filter

EFI 60012 = 1 charcoal filter



EFI 60013 = 2 charcoal filters



- Always specify the hood model code number and serial number when ordering replacement filters. This information is shown on the rating plate located on the inside of the unit.
- The charcoal filter can be ordered from your local Service Force Centre.

## Warning

GB



- Failure to observe the instructions on cleaning the unit and changing the filters will cause a fire hazard. You are therefore strongly recommended to follow these instructions.
- The manufacturer declines all responsibility for any damage to the motor or any fire damage linked to inappropriate maintenance or failure to observe the above safety recommendations.

## Changing the light bulb(s)



- **Disconnect the cooker hood from the mains supply.**
- **Prior to touching the light bulbs ensure they are cooled down.**
- Remove the grill or the metal grease filter.
- Replace the old bulb with a new one of the same type.
- Remount the grid or the metal grease filter.



- If the light does not come on, make sure the bulb has been inserted in correctly before contacting your local Service Force Centre.

## Cleaning the hood



- Clean the outside of the hood using a damp cloth and a solution of water and mild washing up liquid.
- Never use corrosive, abrasive or flammable cleaning products or products containing bleach.
- Never insert pointed objects in the motor's protective grid.
- Only ever clean the switch panel and filter grill using a damp cloth and mild washing up liquid.
- Clean all the plastic parts with a soft cloth soaked in warm water and neutral soap.
- It is extremely important to clean the unit and change the filters at the recommended intervals. Failure to do so will cause grease deposits to build up that could constitute a fire hazard.

## Special accessories

GB

### Charcoal filter type 29

## Something Not Working

If your appliance fails to work properly please carry out the following checks.

Symptom	Solution
The cooker hood will not start...	<b>Check that:</b> The hood is connected to the electricity supply. Check that a fan speed has been selected.
The cooker hood is not working	<b>Check that:</b> The fan speed is set high enough for the task. The grease filters are clean. The kitchen is adequately vented to allow the entry of fresh air. If set up for recirculation, check that the charcoal filter is still effective. If set up for extraction, check that the ducting and outlets are not blocked.
The cooker hood has switched off during operation...	The safety cut-out device has been tripped. Turn off the hob and then wait for the device to reset. If the hood has been installed below the heights indicated in the installation instructions the motor will cut-out frequently which will damage the hood.

If after all these checks, the problem persists, contact your local Service Centre, quoting the model and serial number.

Please note that it will be necessary to provide proof of purchase for any in-guarantee service calls.

In-guarantee customers should ensure that the above checks have been made as the engineer will make a charge if the fault is not a mechanical or electrical breakdown.

# Installation

## Technical Details

	EFI 60011	EFI 60012	EFI 60013
<b>Dimensions (in cm):</b>			
Height :	400	400	400
Width:	559	599	559
Depth:	270	270	270
<b>Maximum absorbed power:</b>	180 W	220 W	380 W
Motor:	100 W	140 W	2 x 150 W
Lighting:	2x40 W (E14)	2x40 W (E14)	2 x 40W (E14)
<b>Length of the cable:</b>	150 cm	150 cm	150 cm
<b>Electrical connection:</b>	220-240W	220-240W	220-240W
<b>Fuse rating:</b>	5A T	5AT	5A T

## Mounting accessories included

1	spacer
2	brackets
2	hooks
1	deflector
2	plastic washers for the spacer
2	wall plugs
1	screw 2,9x9,5 to affix the deflector/coupling ring on the outlet hole
4	screws 4.5 x 16 (to affix the cooker hood sideways)
8	screws 4.5 x 13 (to affix a wooden panel to the cabinet door).
2	screws 3.5 x 9.5 (to affix the spacer to the cooker hood)
2	screws 5 x 45 (fixing the hooks)
1	coupling ring Ø 120 mm
2	screws 5x18
2	screws 5x10 to fix the brackets
2	bushes to fix the brackets

## Electrical connection

GB



### **Safety warnings for the electrician**

The mains power supply must correspond to the rating indicated on the plate situated inside the hood. If provided with a plug connect the hood to a socket in compliance with current regulations and positioned in an accessible area. If it not fitted with a plug (direct mains connection) or if the plug is not located in an accessible area apply a bi-polar switch in accordance with standards which assures the complete disconnection of the mains under conditions relating to over-current category III, in accordance with installation instructions.

**IMPORTANT:** Before re-connecting the hood circuit to the mains supply and checking the efficient function, always check that the mains cable is correctly assembled.



## Installation



**Make sure that the cooker hood is disconnected from the power supply before carrying out the installation.**

### Before beginning installation

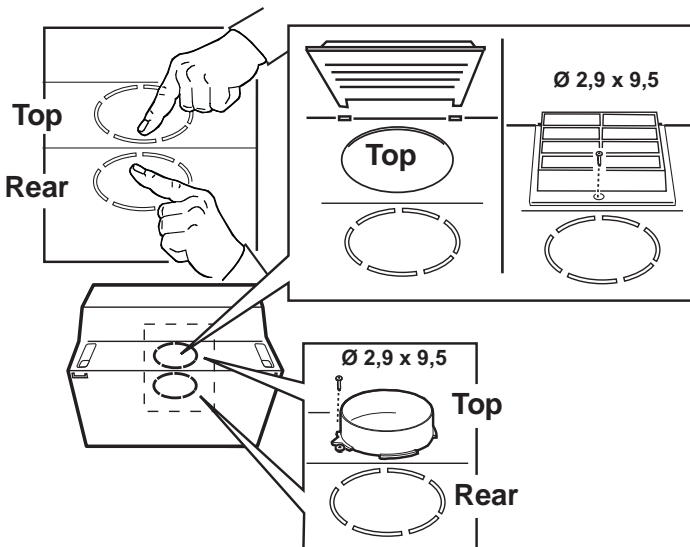
- Remove and keep the extraction grill or the metal grease filter.  
**Note:** This is to be inserted once installation is completed.
- Remove and keep the charcoal filter/s (see also relative paragraph).  
**Note:** This/these is/are to be mounted only if you want to use the hood in the recirculation mode.
- In addition, check whether an electric connection to the mains is available near the installation area of the hood (and also in all accessible areas with the hood mounted), and if it is possible to connect a fumes discharge device to the outside. (Extraction mode only).

- **Choose the exhaust hole to use:**  
**Only recirculation mode: use ONLY the top exhaust hole.**

Once the installation is completed, check that this is not obstructed and that there is sufficient space so that the purified fumes and steam can return easily into the kitchen.

Press with decision to take away the prefabricated part (Top or Rear) that closes the exhaust hole and remove it.

Install the connection ring on the open discharge outlet (bayonet attachment - (Extraction mode only) or the deflector. (recirculation mode



only).

- Check that the side wall units between which to install the hood are sufficiently heavy for installing the hood.

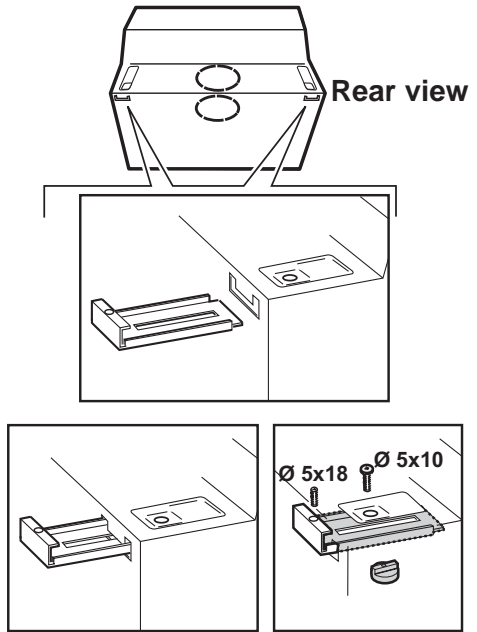
Otherwise mount the brackets to use as additional supports:

**a.** Insert each bracket from the rear inside the hood through the opposite slots.

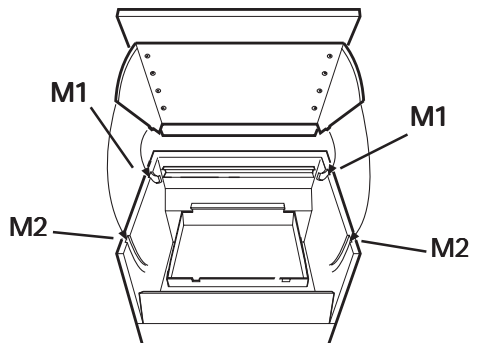
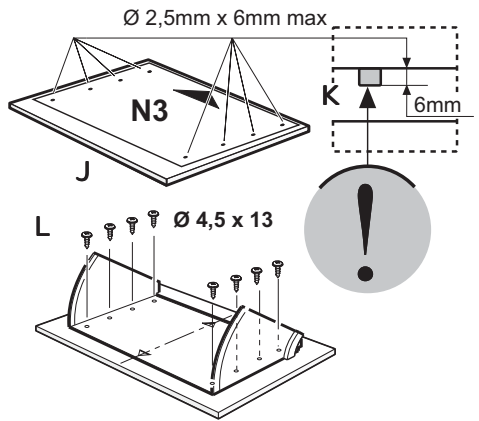
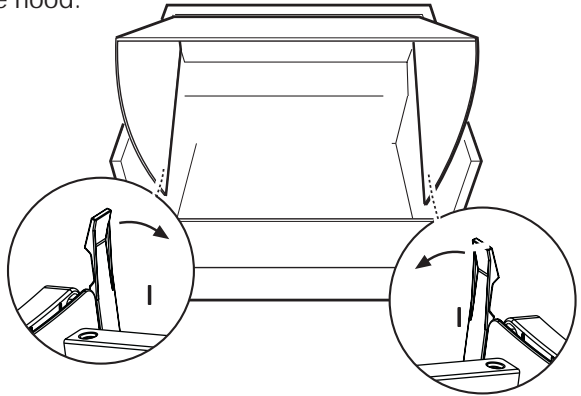
**b.** Fix the brackets with the screws and threaded bushes.

Screw the headless screws halfway. They will serve to adjust the position of the hood at the moment of installation.

**Note:** the position of the brackets can be adjusted during installation, suitably loosening and retightening

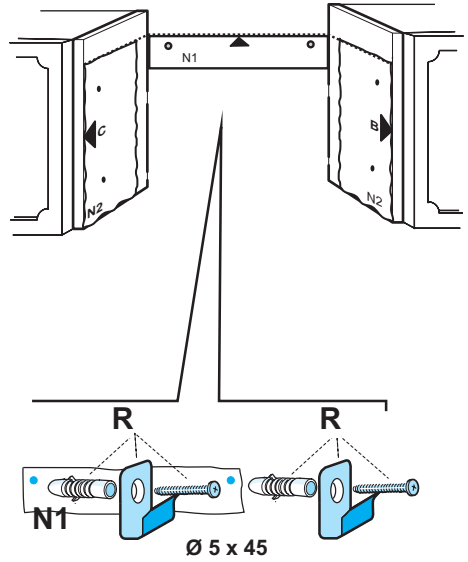


the screws that fix them to the hood.

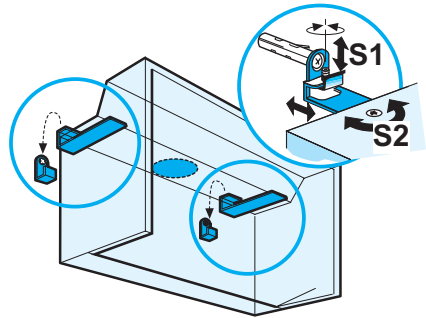


### Fixing a furniture door to the visor

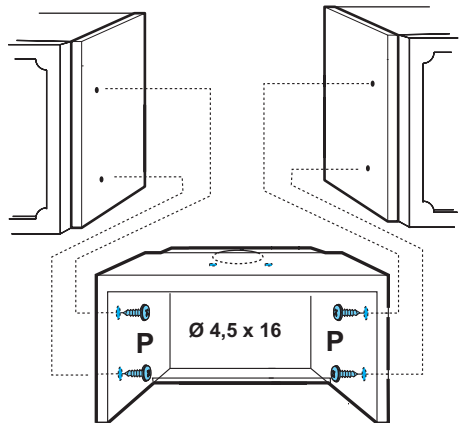
- Remove the extraction grill or the metal grease filter.
- Remove the visor (freeing the locking releases **I**).



- Apply the drill holes diagram **N3** on the rear of the furniture door (**J**-the arrow on the diagram should face the upper border of the furniture door), perform blind holes as indicated (**K**).
- Place the visor over the furniture door and affix with 8 screws (**L**).



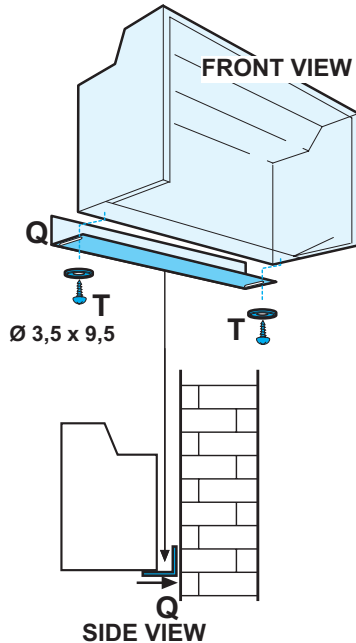
- Refit the cover on the cooker hood



firstly in the upper track (**Fig. 12-M1**),  
then in the lower track (**Fig. 12-M2**).

### Fixing the hood

- Use template **N2**. Position the template on the front edges of the wall unit (right wall unit, B side) – (left wall unit, C side) **WITHOUT CONSIDERING THE THICKNESS OF THE FRONT WALL UNIT DOORS**, and make the holes as indicated.
- **If the side wall units are not heavy enough ONLY:**
  - a. If necessary, fix the hood to the wall, putting template **N1** on the wall so its upper edge coincides with the upper edge of template **N2**.
  - b. Make the holes as indicated. Fix 2 hooks **R** to the wall with screws and dowels.
  - c. Hang the hood onto the hooks and adjust the position of the hood with headless screws **S1** and adjusting the position of the hooking brackets with screws **S2**.



- Fix the hood to the side wall units with 4 screws **P**.
- Mount the lower corner **Q** (\*) to the hood with two screws and plastic washers **T**. They will serve to cover possible spaces between the rear of the hood and the wall.
- Fit the charcoal filter/s (Recirculation

## Guarantee/Customer Service

### Standard guarantee conditions

We, Electrolux, undertake that if within 12 months of the date of the purchase this Electrolux appliance or any part thereof is proved to be defective by reason only of faulty workmanship or materials, we will, at our option repair or replace the same FREE OF CHARGE for labour, materials or carriage on condition that:

- The appliance has been correctly installed and used only on the electricity supply stated on the rating plate.
- The appliance has been used for normal domestic purposes only, and in accordance with the manufacturer's instructions.
- The appliance has not been serviced, maintained, repaired, taken apart or tampered with by any person not authorised by us.
- Electrolux Service Force Centre must undertake all service work under this guarantee.
- Any appliance or defective part replaced shall become the Company's property.
- This guarantee is in addition to your statutory and other legal rights.

### Exclusions

- Damage or calls resulting from transportation, improper use or neglect, the replacement of any light bulbs or removable parts of glass or plastic.
- Costs incurred for calls to put right an appliance which is improperly installed or calls to appliances outside the United Kingdom.

- Appliances found to be in use within a commercial environment, plus those which are subject to rental agreements.
- Products of Electrolux manufacturer that are not marketed by Electrolux

### Service and Spare Parts

In the event of your appliance requiring service, or if you wish to purchase spare parts, please contact your local Service Force Centre by telephoning

**0870 5 929 929**

Your telephone call will be automatically routed to the Service Force Centre covering your postcode area.

For the address of your local Service Force Centre and further information about Service Force, please visit the website at

**[www.serviceforce.co.uk](http://www.serviceforce.co.uk)**

Before calling out an engineer, please ensure you have read the details under the heading "Something not working" When you contact the Service Force Centre you will need to give the following details:

1. Your name, address and postcode.
2. Your telephone number.
3. Clear concise details of the fault.
4. The model and Serial number of the appliance (found on the rating plate).
5. The purchase date.

Please note a valid purchase receipt or guarantee documentation is required for in guarantee service calls.

## Customer Care

For general enquiries concerning your Electrolux appliance, or for further information on Electrolux products please contact our Customer Care Department by letter or telephone at the address below or visit our website at [www.electrolux.co.uk](http://www.electrolux.co.uk)

Customer Care Department  
Electrolux Major Appliances  
Addington Way  
Luton  
Bedfordshire  
LU4 9QQ  
Tel: 08705 950 950 (\*)

(\*) Calls may be recorded for training purposes

## European Guarantee

This appliance is guaranteed by Electrolux in each of the countries listed at the back of this user manual, for the period specified in the appliance guarantee or otherwise by law. If you move from one of these countries to another of the countries listed below the appliance guarantee will move with you subject to the following qualifications:-

- The appliance guarantee starts from the date you first purchased the appliance which will be evidenced by production of a valid purchase document issued by the seller of the appliance.
- The appliance guarantee is for the same period and to the same extent for labour and parts as exists in your new country of residence for this particular model or range of appliances.
- The appliance guarantee is personal to the original purchaser of the appliance and cannot be transferred to another user.
- The appliance is installed and used in accordance with instructions issued by Electrolux and is only used within the home, i.e. is not used for commercial purposes.
- The appliance is installed in accordance with all relevant regulations in force within your new country of residence.

The provisions of this European Guarantee do not affect any of the rights granted to you by law.

**[www.electrolux.com](http://www.electrolux.com)**



		
Albania	+35 5 4 261 450	Rr. Pjeter Bogdani Nr. 7 Tirane
Belgique/België/ Belgien	+32 2 363 04 44	Bergensesteenweg 719, 1502 Lembeek
Ěeská republika	+420 2 61 12 61 12	Budjovická 3, Praha 4, 140 21
Danmark	+45 70 11 74 00	Sjællandsgade 2, 7000 Fredericia
Deutschland	+49 1803 22 66 22	Muggenhofer Str. 135, 90429 Nürnberg
Eesti	+37 2 66 50 030	Mustamäe tee 24, 10621 Tallinn
España	+34 902 11 63 88	Carretera M-300, Km. 29,900 Alcalá de Henares Madrid
France	www.electrolux.fr	
Great Britain	+44 8705 929 929	Addington Way, Luton, Bedfordshire LU4 9QQ
Hellas	+30 23 10 56 19 70	4 Limnou Str., 54627 Thessaloniki
Hrvatska	+385 1 63 23 338	Slavonska avenija 3, 10000 Zagreb
Ireland	+353 1 40 90 753	Long Mile Road Dublin 12
Italia	+39 (0) 434 558500	C.so Lino Zanussi, 26 - 33080 Porcia (PN)
Latvija	+37 17 84 59 34	Kr. Barona iela 130/2, LV-1012, Riga
Lietuva	+370 5 2780609	Verkiu 29, LT-09108 Vilnius
Luxembourg	+35 2 42 43 13 01	Rue de Bitbourg, 7, L-1273 Hamm
Magyarország	+36 1 252 1773	H-1142 Budapest XIV, Erzsébet királyné útja 87
Nederland	+31 17 24 68 300	Vennootsweg 1, 2404 CG – Alphen aan den Rijn
Norge	+47 81 5 30 222	Risløkkvn. 2 , 0508 Oslo
Österreich	+43 18 66 400	Herziggasse 9, 1230 Wien
Polska	+48 22 43 47 300	ul. Kolejowa 5/7, Warsaw
Portugal	+35 12 14 40 39 39	Quinta da Fonte - Edifício Gonçalves Zarco - Q 35 2774 - 518 Paço de Arcos
Romania	+40 21 451 20 30	Str. Garii Progresului 2, S4, 040671 RO
Schweiz/Suisse/ Svizzera	+41 62 88 99 111	Industriestrasse 10, CH-5506 Mägenwil

		
Slovenija	+38 61 24 25 731	Tršaška 132, 1000 Ljubljana
Slovensko	+421 2 43 33 43 22	Electrolux Slovakia s.r.o., Electrolux Domáce spotrebièe SK, Seberínho 1, 821 03 Bratislava
Suomi		<a href="http://www.electrolux.fi">www.electrolux.fi</a>
Sverige	+46 (0)771 76 76 76	Electrolux Service, S:t Göransgatan 143, S-105 45 Stockholm
Türkiye	+90 21 22 93 10 25	Tarlabası caddesi no : 35 Taksim Istanbul
Россия	+7 095 9377837	129090 Москва, Олимпийский проспект, 16, БЦ „Олимпик“



