

ÖKO_FAVORIT 5040/5040 i

Dishwasher

Operating Instructions

Dear Customer

Before you put your dishwasher to use, please read this Instruction booklet thoroughly. It contains important information for your safety, and on the use, installation and maintenance of the machine. Your dishwasher will repay this effort with excellent performance. If you have a problem with the dishwasher, look at the chapter "Troubleshooting".

In many cases, you can solve the problem yourself and thus avoid service charges.

Take care of the Instruction booklet for later use. Pass it to any second owner.



Printed on recycled paper
AEG - putting words into action

Contents

Safety Advice	4/5
Disposal	
Disposal of Packaging	6
Disposal of Old Machine	6
General Information	
Economical and Environmentally Friendly Washing	7
Unsuitable Dishes	7
Suitable Dishes	7
Product Description	
Interior and back of appliance	8/9
Control Panel	10/11
Programme Guide	12/13
Operation	
Before first use	14
Setting the water softening unit	14/15
Refilling salt	16/17
Refilling rinse aid dispenser	18
Setting rinse aid dosage	19
Refilling dishwasher detergent	20
BIO programmes and Compact Cleaners	21
Loading the Dishes	22
Lower Basket	23
Cutlery Basket	24
Upper Basket	25/26
Switching ON/OFF	
Setting wash programmes	27
Switching Off/removing dishes	28
Care and Cleaning	
Care of Machine	29
Cleaning the Filters	29/30
Troubleshooting	31/32
Customer Service	33
Test Institute Information	34
Technical Data	35
Installation	
Setting Up	36/37
Information for the Installer	38/39
Anti-flood device	40
Electrical connection	40/41
Connection	42/43

Safety Advice

The safety of AEG domestic appliances complies with the recognised technical regulations and laws regarding mechanical safety. Nevertheless, as the manufacturer, we regard ourselves as obliged to give you the following safety advice:

Use as directed.

- Only use the dishwasher for household dishes. If the dishwasher is misused, you will be liable for any resulting damage.
- Alteration or conversions to the dishwashers are not allowed for safety reasons.

Before first use

- Check the dishwasher for transport damage. A damaged machine should never be switched on. In case of damage, contact your supplier.
- The dishwasher must be installed and connected properly. Read the chapter "Installation" for all you need to know about this.
- Before first use, make sure that the nominal voltage and current stated on the machine's rating plate comply with the nominal voltage and current in your area.
- When installing the dishwasher next to a source of heat, a heat insulated plate must be installed for protection.
- Multiway plugs, joints and extension cables must not be used.

Child Safety

- Pieces of packaging (e.g. foil or polystyrene) can pose a danger to children. There is danger of suffocation! Keep pieces of packaging away from children.
- Children often do not recognise dangers posed by machines, therefore you should keep children **away** from the machine when it is in operation. There is also the risk of children getting trapped in the machine.
- Detergents can cause irritation to the body and even lead to suffocation. Keep cleaning agents out of children's reach.
- Water in the dishwasher is **not** drinking water. During the main wash, the water will contain detergent that could be harmful if swallowed. Keep children away from the dishwasher when in use.

Everyday Use

- The flood protection system will only operate correctly if:
 - the appliance is plugged into the socket and the electrical supply is maintained
 - the dishwasher has been correctly installed
 - the water supply is shut off the dishwasher is not in use for prolonged periods.
- Never use the dishwasher if the mains cable, inlet or drain hose are damaged, or the control panel, worktop or socket area is so damaged that the interior of the machine is exposed.
- In case of malfunction, first close off the water tap. Then switch off the machine and pull out the power plug. If hard wired: turn off the mains electricity, pull out the fuse and disconnect the appliance.
- Never pull the plug out of the socket by the cable. Always use the plug itself.
- Repairs to the dishwasher may only be carried out by qualified service engineers. Inappropriate repairs can cause considerable danger to the user. If there is a malfunction, please contact our Customer Service Department.
- Do not pour solvent into the dishwasher. Danger of explosion!
- Do not sit on or lean on the open door. This could tip the machine over.
- The heating element in the bottom of the dishwasher interior is still hot for a while after use. Danger of burns! Do not touch the heating elements.
- Make sure that the salt, detergent and rinse aid are designed for use in domestic dishwashers,
- The high temperatures around the heating element can deform or melt plastic. Do not load plastic items in the lower basket, above the heating element.
- Always close the water tap if the dishwasher is not to be used for a length of time, e.g. holidays.
- The dishwasher should only be transported in an upright position. Not doing so may result in a salt water solution entering the dishwasher interior possibly causing rust marks.
- The dishwasher door should be kept closed except during loading or unloading as an open door can be a tripping hazard.
- Knives stored in an upright position are a potential hazard.
- Long and/or sharp utensils such as carving knives and forks must be positioned horizontally in the upper basket or hand washed.

Disposal

Disposal of Packaging

AEG dishwashers require effective packaging for the rigours of transportation. We limit this to what is absolutely necessary.

Pieces of packaging (e.g. foil or polystyrene) can pose a danger to children. There is danger of suffocation! Keep pieces of packaging away from children.

All packaging materials used are environmentally friendly and recyclable. Card-board pieces are made from used paper and wooden items are untreated.

Plastic items are marked as follows:

- PE = polyethylene, e.g. packing film
- PS = polystyrene, e.g. packing (CFC-free)
- POM = polyoxymethylene, e.g. plastic clips

By using and re-using the packaging, raw materials are saved and waste volume is decreased.

Take the packaging to the nearest recycling centre. You can find out where this is from your Local Government Office.

Disposal of Old Machines

When you stop using your old machine, you should make it safe before disposing of it.



WARNING: Children at play can lock themselves in the machine (danger of suffocation) or get into other life-threatening situations. Therefore, remove the power plug, cut off and dispose of the power cable. Destroy the door lock so that the door no longer closes.

Plastic Labelling for Easy Recycling

All plastic parts in the machine are labelled with internationally recognised abbreviations (e.g. PS=polystyrene). Therefore, when disposing of the machine, you can sort the plastic parts into groups for recycling purposes. Take your old machine to the nearest recycling centre, who will dispose of it for a small charge.

General Information

Economical and Environmentally Friendly Washing

Connect the dishwasher to hot water if you have a modern, high-efficiency hot water system. Connection to the cold water supply is recommended for electrically heated water systems. Do not rinse the dishes under running water beforehand.

Try to use the dishwasher only when it is full, since this way you wash economically and in an environmentally friendly way.

Always select a wash programme which is suited to the type of crockery as well as the level of soilage (See Programme Guide).

Above all, avoid using excessive amounts of detergent, salt and rinse aid. Consult the dosing instructions in this Instruction booklet as well as the detergent manufacturer's recommendation.

Ensure that the water softening unit is correctly set.

Unsuitable for Dishwashing

Sponges, household cloths, and all objects which can become saturated with water should not be cleaned in your dishwasher.

Items unsuitable for dishwashing include:

- wooden chopping boards
- non heat-resistant plastic items
- lead crystal
- tin and copper items
- items of crockery or cutlery repaired with glue
- older cutlery containing heat sensitive compounds
- rust-sensitive steel items
- cutlery with handles made of wood, bone, porcelain or mother of pearl

Suitable for Dishwashing

Most modern tableware is suitable for dishwashing, however there are exceptions. Unless confirmed as dishwasher safe by the manufacturer, some items may be adversely affected when washed in a dishwasher, e.g.

- only wash stoneware in a dishwasher if the manufacturer confirms that it is dishwasher safe
- glazed designs fade after many machine washes
- silver and aluminium tend to discolour when washed
- food remnants such as egg white, egg yolk and mustard, often cause discolouration and tarnishing of silver, therefore always clean food remnants off silverware straight away, even if you are not washing immediately.
- some types of glass go dull after many washes.

When you buy new crockery, glasses and cutlery, be sure that they are dishwasher safe.

Machine Description

Interior of Appliance

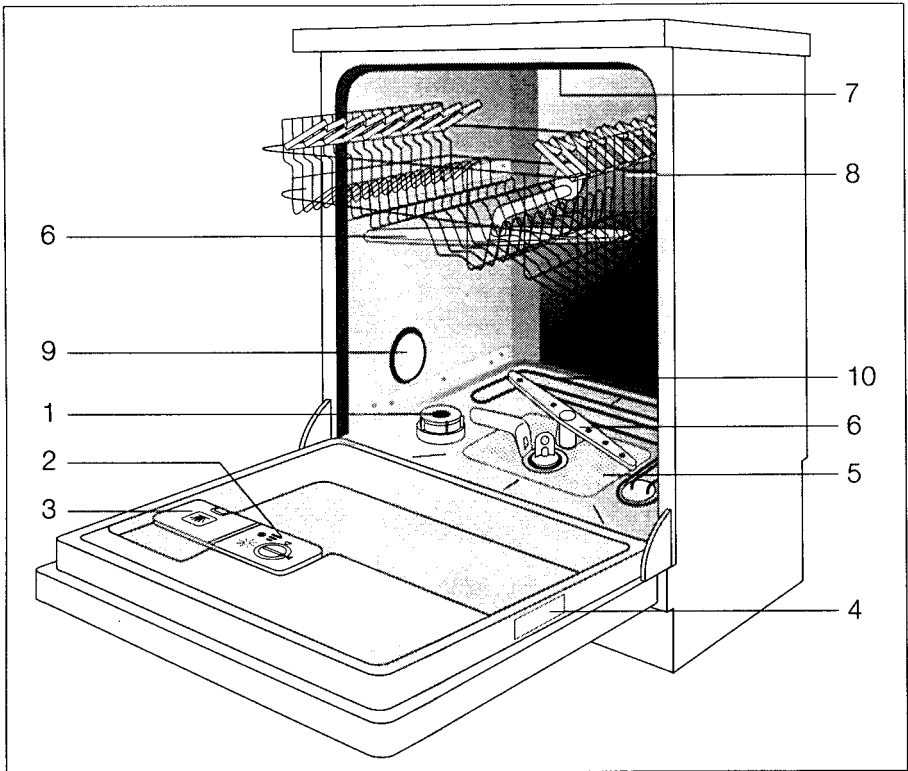


Fig. 1

GA 5 (1)

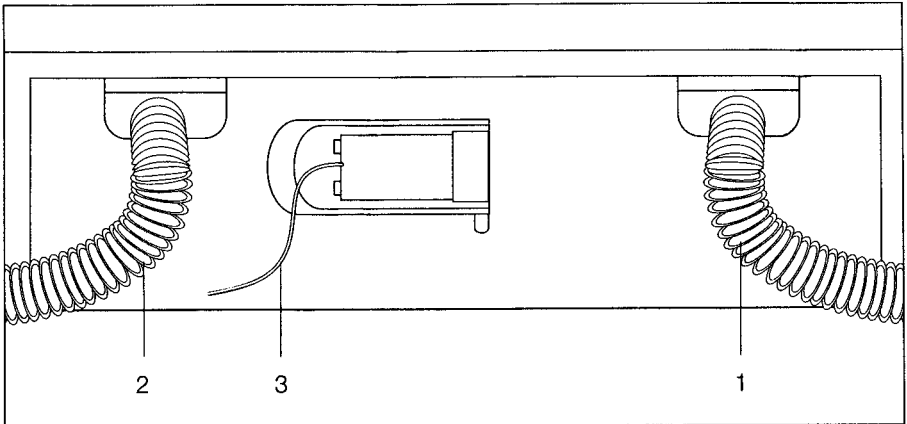


Fig. 2

GA 3

Interior of Appliance

1. Salt Container
2. Rinse Aid Dispenser
3. Detergent Dispenser
4. Rating Plate
5. Filters
6. Spray Arm
7. Top Spray
8. Top Spray Arm Connector
9. Water Hardness Adjustor
10. Heating Element

Back of Appliance

1. Inlet Hose
2. Drain Hose
3. Mains Cable

Machine Description

Control Panel

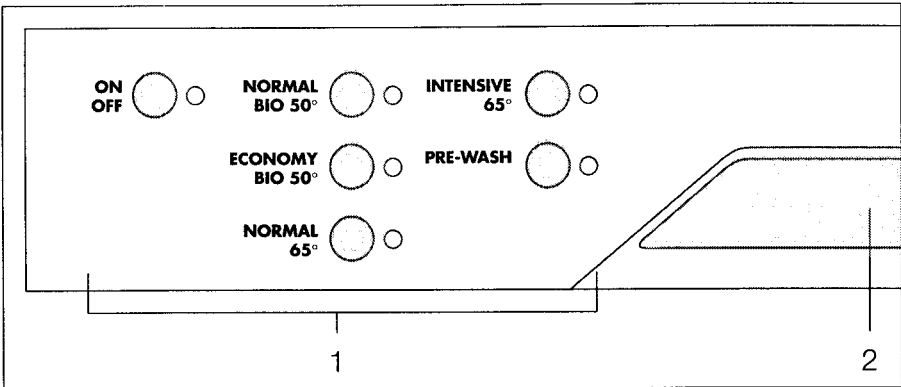


Fig. 3

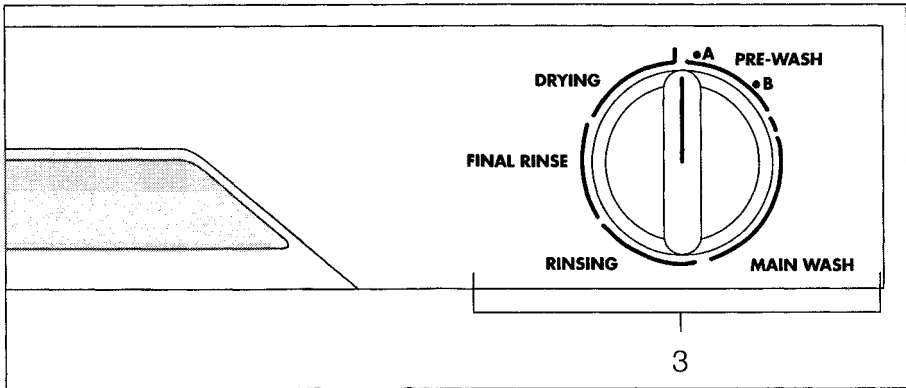
BB 11L GB

1. Control Buttons

ON/OFF button with light.

Programme buttons. The selected programme is displayed red in the round window next to the button.

2. Handle with flap for opening door



BB 11R GB

Fig. 3

3. Programme control knob and progress indicator

- programme control knob: for setting programme start points A and B (see also "Programme Guide")
- progress indicator: while the programme is running, the programme control knob turns and shows the stage that the programme has reached.

Programme chart

Wash programme	Suitable for:	Set programme:	
		Programme Progress Indicator	Programme Selector
Normal BIO 50°C	Normally soiled table- and cookware, plus heat-sensitive items (e.g. glass, plastic). Also for dishes with dried-on food, when compact detergents used.	A	NORMAL BIO 50°C
Economy BIO 50°C	Normal to lightly soiled tableware, coffee and dessert dishes, plus delicate glasses. Specially suited for use with compact detergents.	B	ECONOMY BIO 50°C
Normal 65°C	Normally soiled tableware and cooking dishes with dried-on food	A	NORMAL 65°C
Intensive 65°C	Heavily soiled tableware and cooking dishes with dried-on food.	A	INTENSIVE 65°C
Prewash	Used dishes, which have accumulated in the dishwasher and will be washed at a later point.	A	PREWASH

Programme stage	Average programme length ¹⁾ in minutes using cold water connection	Average energy consumption ¹⁾ in kWh using cold water connection	Average water consumption ¹⁾ in litres
Prewash Main wash Intermed. rinse Final rinse Drying	75	1,4	19
Main wash Intermed. rinse Final rinse Drying	65	1,4	15
Prewash Main wash Intermed. rinse Final rinse Drying	79	1,5	19
Prewash Main wash 2 x Intermed. rinse Final rinse Drying	85	1,6	23
Prewash	10	0,1	6

¹⁾ Values were calculated under normal conditions. Deviations are possible in practice.

Operation

Before First Use

The dishwasher baskets are protected for transportation by special clamps. Please remove all these clamps before you use the dishwasher.

After the dishwasher is installed you must prepare it for operation. Before first use, carry out the following procedure:

- set up the water softening unit
- fill the salt container with salt
- fill the rinse aid dispenser

You will find comprehensive information on the individual point in the following chapter.

Setting the Water Softening Unit

Soft (calcium-free) water is required for machine-washing dishes in order to avoid calcium deposits on the crockery and in the dishwasher. Therefore, water with a hardness of more than 4° Clarke must be softened for using in a dishwasher.

The dishwasher has a water softening unit for this purpose. The water softening unit is automatically and regularly dosed with salt solution. The amount of salt needed for regeneration depends on local water hardness. Information on water hardness and the range of hardness in your home is obtainable from your local Water Authority.

To ensure optimum regeneration of the water softener:

- the water softening unit must be adjusted to the local water hardness
- the salt in the salt container must always be full

To ensure minimum salt usage and optimum cleaning results, the water softening unit has six available settings.

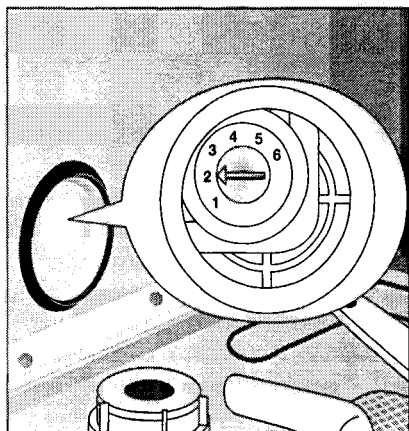


Fig. 4

WHB (1)

Range of Hardness	Water Hardness in English or Clarke degrees	Water Hardness in mmol/l ¹⁾	Setting
IV	51 - 70	9.1 - 12.5	6
	36 - 50	6.4 - 9.0	5
	29 - 45	5.1 - 6.3	4
	22 - 28	3.9 - 5.0	3
III	15 - 21	2.6 - 3.8	2*
I/II	4 - 14	0.7 - 2.5	1
I	under 4	under 0,7	1 no salt required

¹⁾ mmol - millimol per litre, international unit of hardness

^{*)} factory setting

Open door, take out lower basket.

Warning! Directly after wash the heating element in the bottom of the dishwasher will remain hot for a time. Danger of burns. Do not touch the heating element!

Using a coin, set the water hardness adjuster to the correct hardness setting. Use the table to establish this setting for your local supply.

Operation

Refilling the Dishwasher Salt

NOTE:

If the water hardness in your home is less than 4° Clarke, you do not need to add dishwasher salt.

Warning!

Only use dishwasher salt. Other types of salt (e.g. cooking salt) often contain water insoluble components which block the softener and make it unusable.

The packaging of dishwasher salt and dishwasher detergent often appear very similar. Before each refill, check that you have a Salt packet in your hand.

Dishwasher detergent accidentally poured into the salt container will destroy the water softener!

- Open door. Pull out lower basket.

Warning! Directly after wash the heating element in the bottom of the dishwasher will remain hot for a time. Danger of burns. Do not touch the heating element!

- Open the salt container cap in an anti-clockwise direction and remove.

When filling for the first time, pour approx 0.5 litre of water into the container.

- Place funnel in the opening and pour salt into the container. Capacity depends on the granule size of the salt, 1-1.5 kg. Do not overfill the salt container. Be sure that there is sufficient room for the salt indicator.



SAE2

Fig. 5

- Remove any excess salt granules from around the opening of the salt container.
- Replace the cap and turn in clockwise direction to the locking position. The cap must be tightly closed otherwise salt will get into the wash water. Dull glasses can result.
- If you do not use the dishwasher immediately after refilling the salt, you should run a PRE WASH programme so that excess salt water and granules are washed away.

Salt Refill Indicator

The green marker beneath the cap of the salt container shows that there is still sufficient salt in the machine. If the green marker is no longer visible, you should refill with dishwasher salt.

Depending on the size of the salt granules used it may take several hours for the green coloured indicator field to re-appear.

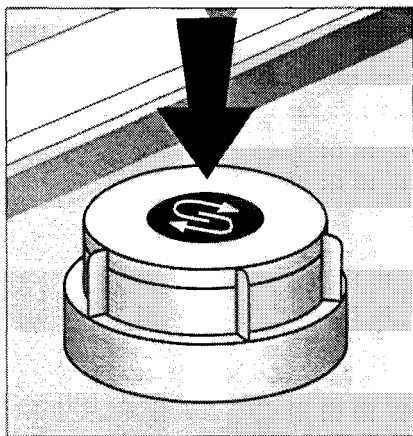


Fig. 6

SNA 1 (1)

NOTE: When the water hardness is less than 4°Clarke, you do not need to add salt. In this case, the green marker beneath the salt container is not visible. The function of the machine is not affected.

Sight of the green indicator can be become obscured by salt solution. In this case rinse the container cap under running order until it clears.

Operating

Filling the Rinse Aid Dispenser

Rinse aid is designed to ensure that the rinsing water runs off the dishes and glasses leaving them free of water marks and sparkling.

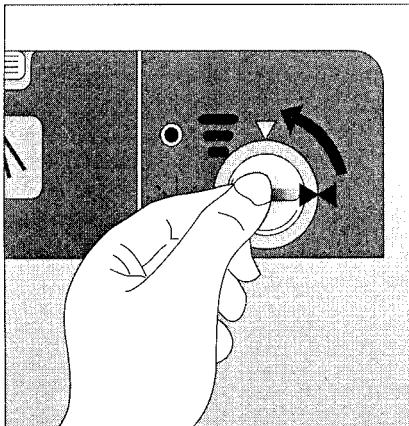
The rinse aid is automatically dispensed during the wash programme.

IMPORTANT! Only use rinse aid designed for use in domestic dishwashers. Other rinsing agents such as vinegar with an acid content greater than 5% could damage the dishwasher and in any case do not give the right results.

The accidental filling of the rinse aid compartment with detergent will damage the appliance.

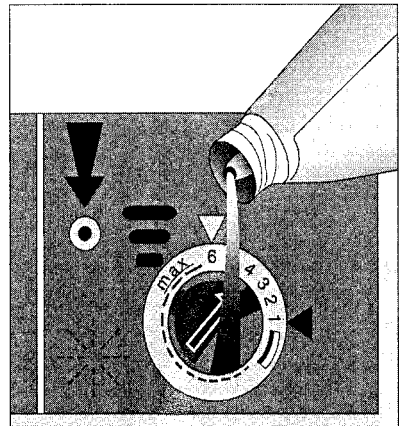
The rinse aid dispenser is located on the inside of the door.

- Open door
- To fill the dispenser, turn the locking lid of the rinse aid dispenser a quarter of a turn anti-clockwise and open.
- Pour in rinse aid: maximum to the indicated line. Maximum amount, approx. 150 ml.



KLE 1 (1)

Fig. 7



KLE 2 (2)

Fig. 8

- Replace locking lid and tighten in a clockwise direction.
- Wipe away any excess rinse aid with a cloth, otherwise too much foam will build up during the wash.

Refill Indicator for Rinse Aid

You should refill the rinse aid dispenser when a dark dot surrounded by a bright circle ● appears in the window of the rinse aid dispenser (Fig. 8/arrow).

When it is full, the window is completely dark.

Setting the Rinse Aid Dispenser

The adjuster to alter the quantity of rinse aid being dispensed is located in the opening of the dispenser. The quantity can be set from 1 to 6 (1-6 cm³).

The dosage is pre-set to 4. At this setting the full dispenser will hold sufficient rinse aid for 40 wash cycles. Do not alter this setting unless an unsatisfactory rinse result makes it necessary (see "Troubleshooting").

- To adjust the dispenser, turn the locking lid of the rinse aid dispenser a quarter of a turn anti-clockwise and open. (Fig. 7)
- Turn the adjuster to the desired setting using a screwdriver

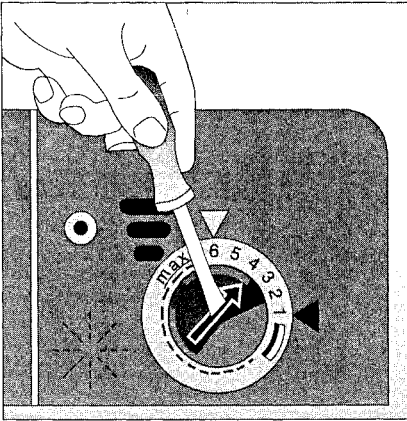


Fig. 9

KLD 1 (2)

- Replace the locking lid and tighten in a clockwise direction.
- Wipe away any excess rinse aid with a cloth, otherwise too much foam will build up during the wash.

Operating

Refilling Dishwasher Detergent

Important!

Do not use washing up liquid in the dishwasher. This causes excessive foaming and does not clean the dishes properly. It can even damage the dishwasher. Only use detergents intended for domestic dishwashers.

Store the detergent in a dry and sealed container. Detergent which has become lumpy will no longer clean the dishes.

Detergent must be added to the dispenser before each wash. Only with the prewash programme is no detergent necessary. The detergent is automatically dispensed during the wash.

Recommended dosage (basket fully loaded):

Smaller amounts of dishes require less detergent

The efficiency of detergents varies. Take care to observe the dosing recommendations of the manufacturer.

The detergent dispenser is located on the inside of the door. If the lid is closed:

- Press the lever forward (Fig. 10/1). The lid springs open.
- Fill the dispenser with detergent. To help you use the correct amount of detergent, use the markings. MIN = approx 30 ml, MAX = approx. 40 ml.

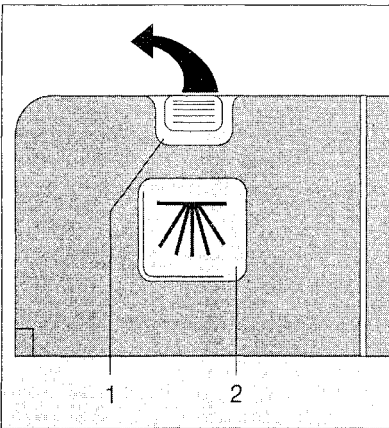


Fig. 10

RME 1 (1)

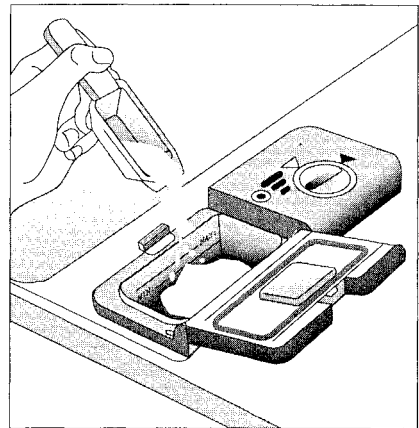


Fig. 11

RME 2 (1)

- Close the lid of the dispenser until it clicks shut.
In case of heavily soiled dishes, it is possible to add extra detergent to the tray on top of the dispenser lid (Fig. 10/2). Fill until level. The extra detergent will be added during the prewash.

BIO Programmes and Compact Detergents

Dishwasher detergents fall into two basic types, depending on their chemical composition:

- traditional alkaline detergents with corrosive components
- Compact detergents with natural enzymes.

Enzymes in Compact detergents dissolve dirt and are biodegradable. The enzyme's dirt-dissolving power is activated in a water temperature range between 40°C and 55°C. BIO programmes are designed to maintain this wash temperature, thereby optimising the enzyme's cleaning power.

When used with Compact detergents, the BIO programmes achieve the same cleaning results at 50°C, which otherwise are only reached with 65°C programmes. Compact detergents, as well as being environmentally friendlier, can wash effectively at lower temperatures and also help care for your crockery.

Detergent tablets

Detergent tablets can sometimes take longer to fully desolve than powder and, for this reason, they may not utilise all their cleaning power during a Quick wash (i.e. without pre-wash).

We would therefore recommend that you only use detergent tablets during normal wash programmes with pre-wash.

Detergent recommendations

For best results we recommend the use of Finish detergent, rinse aid and salt.



Loading the machine

Before you load the machine, remove any remaining food debris from plates and soak saucepans with burnt on food, as you would when washing by hand. The easiest way to load a basket is from back to front.

IMPORTANT! By arranging the dishes correctly, you will ensure a satisfactory result.

Cups, glasses, etc. should be inverted in the machine. Take care that no water can collect in the bottom of any items.

Dishes and cutlery should be arranged so that they do not lie together or cover each other. Load glasses so that they do not touch each other (to prevent stains and breakages), Small objects, e.g. bottlecaps, should go in the cutlery basket.

IMPORTANT! Tall dishes or cutlery protruding out of the basket may obstruct the spray arms. This will detrimentally affect the wash results. Ensure that the spray arms are free to rotate.

Lower Basket

Heavily soiled large items are best cleaned in the lower basket.

Warning! High temperatures around the heating element can deform and melt plastic items. Therefore, put plastic items in the upper basket.

- Pull out lower basket
- Place larger, heavier items such as dinner plates, dishes, pots, etc. in the lower basket.

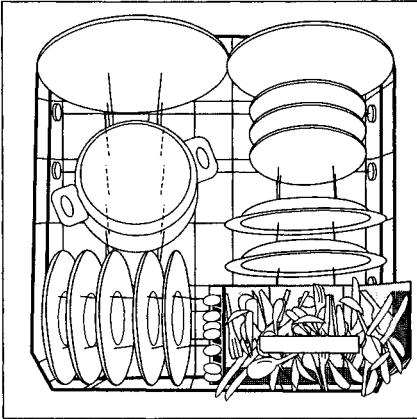


Fig. 12

UK 1 (1)

Loading the machine

Cutlery Basket

Place knives, forks and spoons in the cutlery basket, handle down. Distribute the cutlery loosely and position the soiled surfaces of the spoons and forks apart so that the water can reach each item.

Important! Long pieces of cutlery can block the upper spray arm. These should be laid in the top basket.

Warning! In order that the full cutlery basket does not open accidentally while you are taking it out, hold it by the two-part handle.

Coffee and teaspoons should be put in to spoon compartment on the left of the cutlery basket. For easy emptying, the cutlery basket can be removed from the dishwasher.

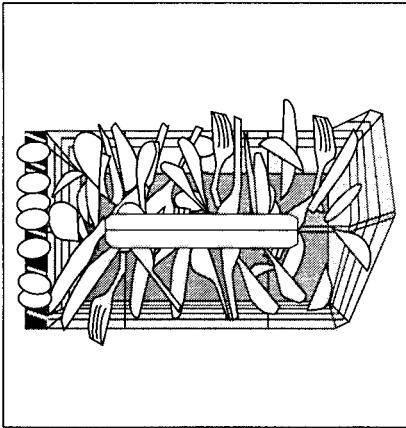


Fig. 13

BK 2

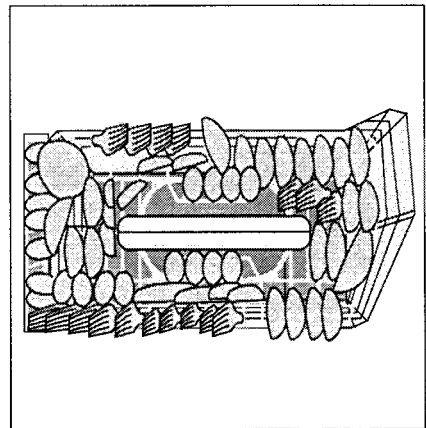


Fig. 14

BK 4

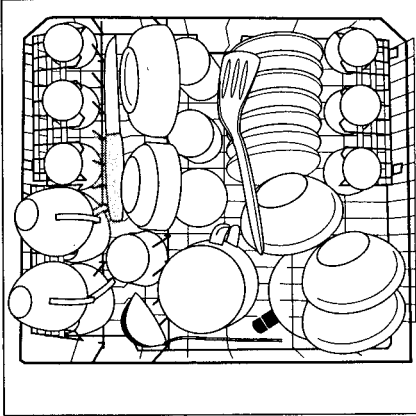
Warning! Long and/or sharp utensils such as carving knives and forks must be positioned horizontally in the upper basket or hand washed.

Warning! Knives stored in an upright position are a potential hazard.

Upper Basket

Delicate smaller items are best cleaned in the upper basket.

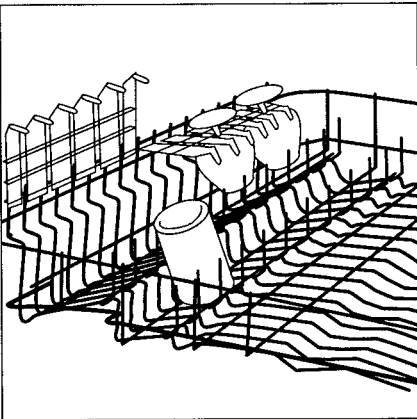
- Pull out the upper basket to its stop position.
- Arrange smaller, lighter and more delicate items, such as cups and saucers, glasses, as well as plastic items, in the upper basket.



OK 1 (3)

Fig. 15

Arrange items on and underneath the fold-down cup racks so that water can reach all surfaces. For taller items, the cup racks can be folded upwards. Long-stem glasses can then be suspended from the prongs of the cup racks.



OK 3 (1)

Fig. 16

- After loading, push upper basket back fully into the dishwasher.

Warning! The dishwasher door should be kept closed except during loading or unloading as an open door can be a tripping hazard.

Loading the machine

Upper Basket Adjustment

The upper basket is height adjustable. The higher position of the basket allows dishes up to a height of 22 cm to be placed in the upper basket, and a height of 31 cm in the lower basket.

The lower position of the upper basket allows dishes up to a height of 24 cm to be placed in the upper basket, and a height of 29 cm in the lower basket.

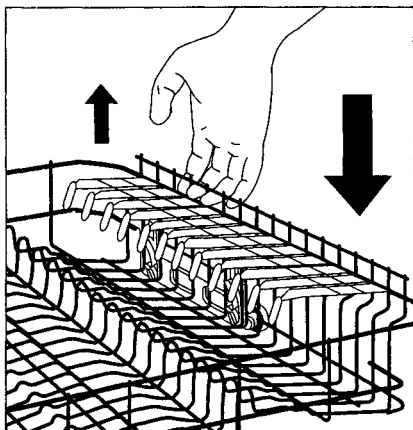


Fig. 17

OKV 1 (2)

Height adjustment is also possible with loaded baskets. Proceed as follows:

To lower:

- Pull out the upper basket to its stop position.
- Lift the upper basket from the right hand side only. Lower the basket, allowing it to locate the alternative position.

To heighten:

- Pull out the basket to its stop position.
- Lift the upper basket from the right hand side only. Pull slightly forward and allow it to locate into place in the upper setting.

Switching ON/OFF

Setting the wash programme:

- Check that the crockery and the cutlery in your dishwasher are arranged so that the spray arm is not obstructed.
 - Close the door
 - Open the water tap fully, if closed
- Important!** If a wash programme has started, though the water tap is closed, switch off the machine. Open the water tap and re-set the wash programme.

Setting the Programme:

- Press the button for the desired programme (See "Programme Guide"). The display next to the depressed button shows red. During the programme, the programme indicator shows the stage which the programme has reached. During the heating up for the main wash and the rinse, the programme indicator remains stationary until the required temperature is reached.
- Turn the programme indicator clockwise, according to the Programme Guide, to position A or B.
- Press ON/OFF button

Programme Correction:

- Correct a wrongly selected programme by first switching off the machine with the ON/OFF button.
- Important!** To prevent electronic interference, only move the programme indicator when the machine is switched off, otherwise the detergent will be released accidentally.



Warning! When opening the door hot steam could escape. Danger of scalding! Open door carefully.

- If the programme is already in the washing stage, ensure that there is still detergent in the dispenser.
- Set the desired wash programme once more.

Interrupting the Programme:



Warning! When opening the door hot steam could escape. Danger of scalding! Open door carefully.

- A wash programme in progress is interrupted when you open the door.
- Close the door. The wash programme will start again from the point at which it was interrupted.
- Only open the door during the wash cycle when absolutely necessary. By opening and closing the door cold air enters the dishwasher and quickly heats and expands. This can cause irregular operation and may require a service call.

Switching ON/OFF

Switching off/ Removing the Dishes

Switching off

When the programme has ended:

- Press ON/OFF button. The operation light goes off.

!Warning! When opening the door, directly after the end of the programme, hot steam can escape. Danger of scalding! Open door carefully.

Note:

At the end of the programme, allow the dishes to dry off completely and cool down for approx. 15 minutes in the closed machine.

You can speed up the drying and cooling if you completely open the door for a moment after the end of the programme and then leave it ajar.

If the dishwasher is installed under a kitchen worktop be sure that the escaping hot steam does not damage the worktop. The underside of the worktop must be protected against damage by means of an aluminium film.

Removing the Dishes

!Warning! Dishes are more fragile when hot. Therefore, allow the dishes to cool down before taking them out.

- First empty the lower basket, then the upper basket. In this way, you avoid water dripping from the upper basket onto the dry dishes below.

Care and Cleaning

Care of the machine:

The front and the control panel of the dishwasher should be cleaned only with a soft cloth and warm, clean water.

Warning! Do not use furniture polish or abrasive cleaning agents.

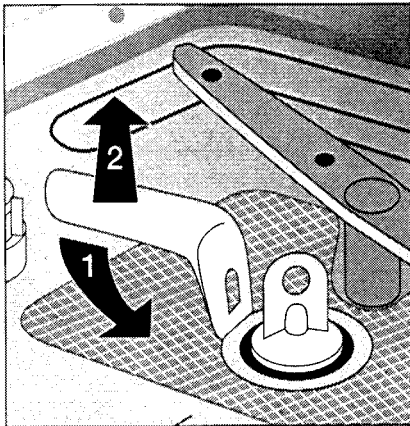
The spray arms do not need to be cleaned. The interior, door seal and top spray arm connection should periodically be inspected for soilage and if necessary cleaned.

Cleaning the Filters

The filter assembly in the bottom of the dishwasher must be regularly checked for soilage and cleaned when necessary. Dirty filters reduce the efficiency of the wash.

Warning! After a wash programme is complete, the heating element at the bottom of the dishwasher remains hot. Danger of burns! Do not touch the heating element.

- Open the door, pull out the lower basket.
- The filter assembly in the dishwasher has 3 parts. (Coarse filter, microfilter and surface mesh). The complete filter assembly can be released and removed by means of the handle on the microfilter.
- Turn the handle of the filter assembly a quarter of a turn anticlockwise and lift out.



RS 1 (1)

Fig. 18

Care and cleaning

- Grip the coarse filter (1) by its handle and separate it from the microfilter (2).

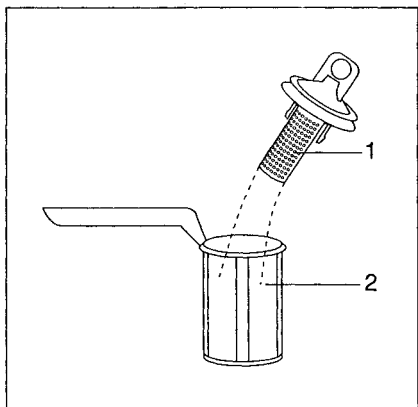


Fig. 19

RS 4

- Thoroughly clean all filters under running water.
- Take surface mesh (3) out of the bottom of the dishwasher and thoroughly clean both sides.

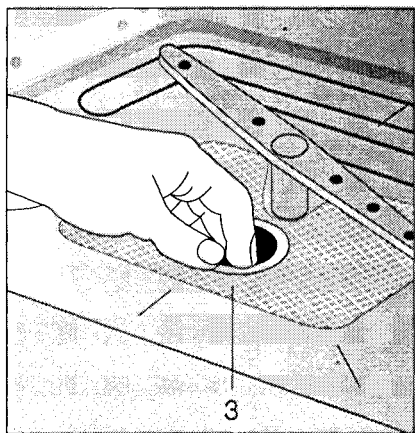


Fig. 20

RS 3 (2)

- Replace the surface mesh in the bottom of the dishwasher, ensuring that it is correctly positioned in the bottom of the dishwasher.
- Reassemble the coarse filter in the microfilter, snap together and replace the complete assembled unit into the surface mesh. Use handle to turn clockwise until locking position is found.

Troubleshooting

Please check whether you can solve the smaller problems with the machine yourself, by means of the following advice. If the advice does not help, please contact the AEG Customer Service Department.

Drainage pump continually running - even when the machine is turned off.

- The flood protection system has activated. First, close the water tap, then pull out the plug. In case of hard-wiring: turn off the electricity supply, remove the fuse and disconnect. Telephone the AEG Customer Service Department to register the fault.

The programme does not start.

- Are the electrical fuses in good order? Is the machine connected to the mains?
- Is the door closed properly?

The machine is not taking water in.

- Is the water tap open?
- Is the mesh in the pipe connection at the water tap blocked? If necessary, clean mesh.
- Is the water inlet hose kinked? Check pipe connection (See section "Connection").

Programme progress display remains at the Start position

- Is the water tap fully open?
- Is the filter in the pipe connection to the water tap blocked? If necessary, clean filter.
- Is minimum water pressure of 1 bar available? (See section "Connection")

The dishes are not being cleaned

- have you selected a programme which is suitable for the type of dishes and their level of soilage? (See section "Programme Guide")
- have you loaded the dishes so that the water spray reaches all the items? The crockery baskets should not be overloaded (See section "Loading the Dishes")
- Were the spray arms blocked by crockery or cutlery?
- Please note: the upper spray arm tilts when not in use. This allows all the water to drip out of the spray arm. In operation, it automatically runs in a horizontal position.
- Are all filters in the filter assembly clean? Are all the filters correctly set up? (See section "Cleaning the filters")
- Have you added the correct amount of detergent? (See section "Refilling Dishwasher Detergent")
- Is the drainage pipe correctly laid out? (See section "Connection")
- Is there still salt in the salt container? Without salt, the water is not softened. Water hardness greater than 4°Clarke can lead to lime formation on the dishes (See section "Refilling Salt")

Troubleshooting

- The dishes are not dried and have no sparkle**
 - have you used rinse aid?
 - Is there any rinse aid left in the dispenser? (See section "Refilling Rinse Aid Dispenser")
- There are streaks, stripes, milky flecks or blue-shiny deposit on the glasses and dishes.**
 - there is too much rinse aid. Set the rinse aid dosage at a lower level. (See section "Setting Rinse Aid Dosage")
- There are dried-on water stains on the glasses and dishes - there is too little rinse aid. Set the rinse aid dosage higher. (See section "Setting Rinse Aid Dosage")**
- Rust stains are visible in the interior of the machine**
 - the wash area is made of non-corrosive steel. Rust stains in the wash area can be attributed to external rust. (Rust particles from the water supply, from pots, cutlery etc.). Remove these flecks with a normal steel cleaner.
 - have you put the right amount of detergent in? (See section "Refilling Dishwasher Detergent")
 - Is there still salt in the salt container? (See section "Refilling Salt")
 - Is the water softening unit correctly set up? (See section "Setting Water Softening Unit")
- Whistling noise during the dishwashing cycle**
 - You may possibly need to seek a remedy by using another branded detergent. The whistling is completely harmless.

If after carrying out the above checks, there is still a fault with your appliance please contact your local AEG Service Force Centre.

Customer Service

If you require a service engineer or wish to purchase spare parts, contact your local AEG Service Force Centre, by telephoning:

0990 929929

In guarantee customers should ensure that the suggested checks in the "Troubleshooting" section have been made as the engineer will make a charge if the fault is not a mechanical or electrical breakdown.

Please note that proof of purchase is required for in-guarantee service calls.

Help us to help you

Please determine your type of enquiry before telephoning. When you contact us we need to know:

1. Your name, address and post code.
2. Your telephone number
3. Clear and concise details of the fault
 - What is the fault?
 - When does the fault occur?
 - Write down
 - Any error message in the multi-display
 - Any function lights that are flashing on the control panel and report this information to the Service Force Centre.
4. The model, production number and product identification number.
5. Date of purchase.

This information can be found on the rating plate, so you have these numbers to hand we recommend you write them below.

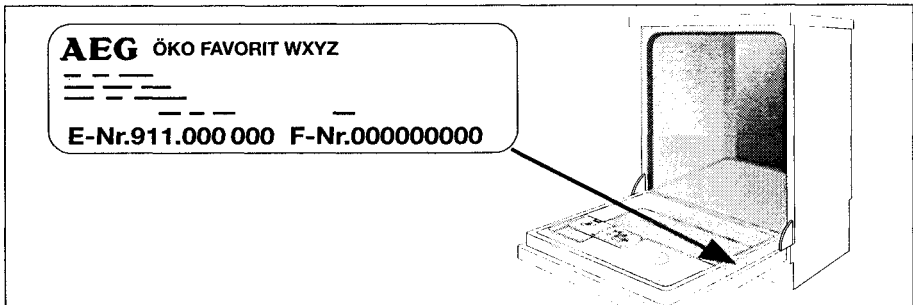


Fig. 21

KD 1

E-No./PNC-No. (9 to 11-digit) _____

KD-No. _____

F-No. _____

Customer Service

Customer Care

For general enquiries regarding your AEG appliance, or for further information on AEG products please contact our Customer Care Department.

Customer Care Department
AEG Domestic Appliances Limited
PO Box 47
Newbury
Berkshire RG14 5XL

Tel.: 01635 572700

Fax: 01635 42970

Test Institute Information

Test Standard: IEC 436-DIN 44990 (prEN 50242)
Reference programme: 65°C Normal (detergent type A)
50°C Normal (detergent type B)
Detergent dosage (type A) 5g in the tray, 25g in the dispenser
(12 place setting including serving dishes)
Detergent dosage (type B) 35g in the dispenser
(12 place setting including serving dishes)
Capacity 12 place setting including serving dishes, according to IEC publication 436.

Loading Example:

Upper Basket (upper position)

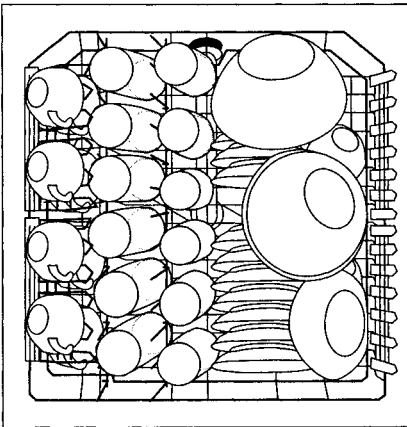


Fig. 22

HFP 4 (4)

Upper Basket (upper position)

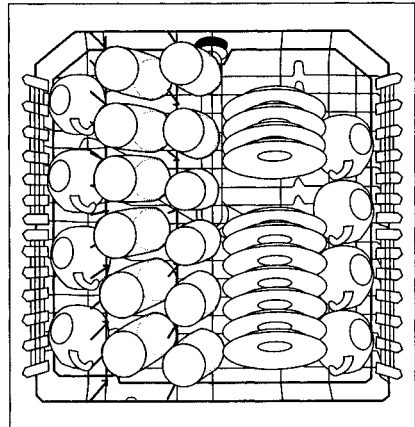


Fig. 23

HFP 5 (4)

Lower Basket

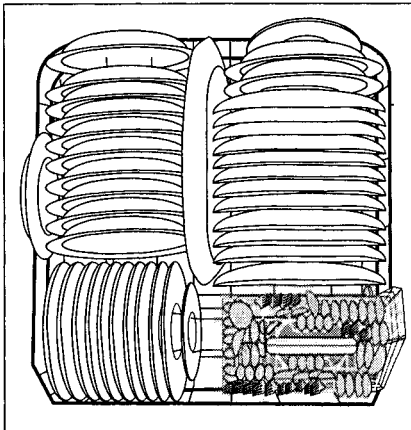


Fig. 24

HFP 3 (3)

Technical Data

Capacity:

12 place settings including serving dishes

Permitted Water Pressure:

1-10 bar (10-100 N/cm² = 0.1-1.0 MPa)

Electrical Connection:

Electrical connection data is given on the rating plate.

This is located on the right hand inner edge of the door.

Dimensions:

- Freestanding 85 x 60 x 60 (H x W x D in cm)
- Build-in: please refer to separate installation instructions.

Weight of free-standing unit: max. 62 kg

Weight of a built-in unit: max. 54 kg

CE This appliance complies with the following EC guidelines:

- 73/23/EWG (19.02.73) - Low Voltage Directive
- 89/336/EWG (03.05.1989) (Including amended guidelines 92/31/EWG on electromagnetic compatibility.

Installation

Setting Up:

The dishwasher must be positioned on a solid horizontal base. The feet of the appliance can be adjusted by approx. 5 cm. This allows:

- uneven floors to be compensated for
- the height to be adjusted to match other furniture

If you are installing the dishwasher underneath a kitchen worksurface please note the following points:

- sufficient space must be allowed for at the rear of the appliance to accommodate the drain hose, inlet hose and mains cable. They must not be kinked or jammed behind the appliance.
- with integrated and decor fronted build-under appliances, please ensure that the appliance is attached to the underneath of the kitchen worksurface or to an adjacent unit. This is essential in order to ensure that it will not accidentally tip forward.

Depending on the type of installation, the following installation procedure must be followed:

Integrated Appliances (i models)

For installation see installation template provided.

Important! The appliance door can be lined with a wood panel/furniture panel of the following dimensions:

Width: 591 mm - 594 mm

Thickness: 16 mm - 24 mm

Height: depending on:

- recess height
- plinth height
- matchup to the joint runs of adjacent furniture (e.g. drawer), though max. 600 mm

Important Note! Should the furniture panel be longer than 600 mm, the appliance door cannot be fully opened (the furniture panel bumps against the plinth). In this case the plinth must be cut out (see installation template) or overlength door hinge kit BLT 60 used. You can obtain this under E-No. 911239008.

Build-under (U models) and Build-In (E models) Appliances

For installation see installation instructions provided.

Freestanding Appliances

Freestanding appliances do not need to be secured to adjacent furniture.

Note: (only applicable to freestanding appliances fitted with original worktop). If the dishwasher needs to be installed directly next to a heat source such as a cooker or water heater, an insulation plate must be positioned to protect the side of the worktop (depth 57.5 cm). The insulation plate should have aluminium foil on the heat source side.

Installation

The original worktop of freestanding appliances has a front-to-back adjustment of approx. 2 cm. This allows the worktop to be adjusted to match adjacent appliances or furniture. To do this, proceed as follows:

- Unscrew and remove both screws that holds the worktop in place. These are at the rear of the appliance.
- Move worktop backwards or forwards as required.
- Replace and tighten both screws.

Under Worktop Installation of Freestanding Machines

- Freestanding machines can be built under a work surface if the machine's original worktop has been removed.

NOTE:

The base/height of the machine is not adjustable.

Removal of the Original Worktop:

- Remove both screws by which the worktop is attached to the machine's rear wall,
- Gently push the worktop backwards and lift off.

In order to achieve a better match with the kitchen furniture, a decor panel can be added. Decor panels should be obtained from the kitchen manufacturer.

If the machine is not fitted with a decor frame as standard, one can be obtained as an optional extra from AEG through the retailer.

Dimensions of Decor Panel: H 590 mm x W 581mm

Rebate Thickness: Max 4 mm

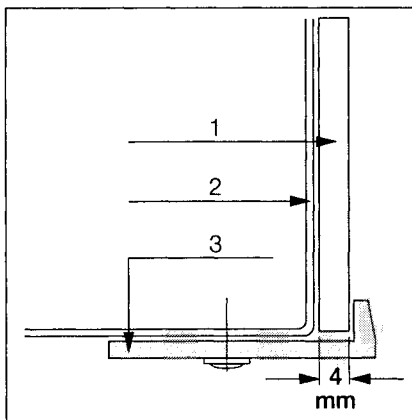


Fig. 25

AUF 1

1. Decor Panel
2. Door front
3. Decor Frame

In order to avoid the decor panel from bowing when fixed to the front of the dishwasher, you should use a double-sided tape to hold the decor panel firmly onto the appliance door.

Information for the Installer

Water Supply:

The dishwasher is constructed in compliance with the relevant technical regulations and has safety features which prevent a back-flow into the drinking water supply.

The dishwasher can be connected to cold water, or to hot water up to a maximum of 60°C.

Connection of the dishwasher to single outlet instantaneous electrical/gas heaters is not permitted.

Please ensure that you comply with the drinking water regulations of your local Water Authority. A high-pressure hose with ¾" hose coupling, complete with sealing washer, is supplied. We recommend that you do not use other washers, which may be of inferior quality. It is sufficient to tighten the nut by hand.

The machine may be connected:

- directly to a tap with ¾" BSP thread termination
- to a T-junction on existing tap
- or, preferably, to a completely separate water supply, to avoid interference with the kitchen water supply during the operation of the machine.

Warning! The inlet hose must not be kinked or twisted. Take care to install it properly.

If a longer inlet hose is needed, it should be obtained from AEG Spare Parts Department. Never add extensions to hoses. Never shorten hoses.

Minimum water pressure: 1 bar (10 N/cm², 100 kPa)

Less than 1 bar water pressure, please contact AEG Customer Service Department for advice.

Maximum water pressure: 10 bar (100 N/cm², 1 MPa)

At more than 10 bar water pressure, a pressure relief valve must be fitted (obtainable through installer).

Installation

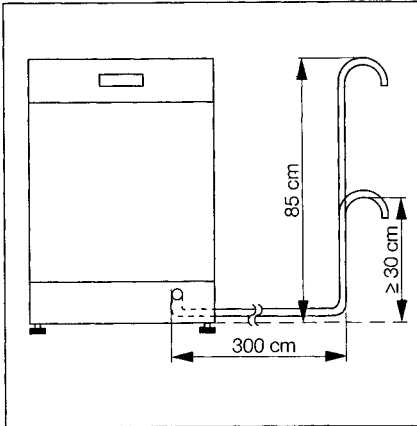
Water Discharge

Connection of drain hose:

Maximum permissible height: 1 metre

Minimum height required: 30 cm above the machine's lowest point

In case of extended pipes, which may be laid out to a maximum of 3 metres, the maximum permissible height for connection of the drain hose is 85 cm.



WAB 1

Fig. 26

Warning! The drain hose should not be kinked or twisted. Take care to install correctly.

Sink Trap Connection:

The nozzle of the drain hose (dia. 19 mm) is suitable for all types of sink trap connection. When connecting the drain hose to a sink trap, the internal diameter must be 15 mm minimum. The drain hose must be attached to the sink trap connection by means of the accompanying hose clamp.

Water Discharge into Sink:

If you want to run the drain hose on a freestanding machine into a sink, you should use an attachable hose bend. You can obtain this hose bend from your AEG service centre under spare part number ET 646 069 190.

Warning! Ensure that the hook is securely held in position to avoid accidental flooding. This can be achieved by attaching the hook to the tap with string.

Drain Hose Extension:

If a longer drain hose is needed, it should be obtained from AEG Spare Parts Department. The inner diameter of any drain hose extensions must be 19 mm so that the machine's function is not affected.

Anti-Flood Device

For protection against water damage, the dishwasher is equipped with an anti-flood device.

As well as an overflow for protection, which prevents the uncontrolled rise of water in the machine, there is a leakage protection (floater switch) in place. This is activated by any water leakage in the machine.

In case of leakage, the safety valve in the machine immediately interrupts the inflow of water and the drain pump switches on. As a result, no water can either leak or overflow. Residual water in the machine is automatically pumped out. This also functions when the machine is switched off. It will not, however, work if the machine is disconnected from the electrical supply.

Malfunction is indicated by a continuous tone which can be heard, even when the machine is switched off. In case of malfunction:

- turn off the water tap, pull out the electrical plug. If hard wired: turn off the mains electricity, pull out the fuse and disconnect the appliance.
- Contact Customer Service Department for advice.

Electrical Connection

Please note! (For users in the UK)

WARNING - THIS APPLIANCE MUST BE EARTHED.

Please ensure that the voltage and current indicated on the rating plate agrees with the voltage of your electricity supply.
220/240 volts - (i.e., 220/240 V AC).

If your appliance has been equipped with a mains lead with a moulded-on type plug, you must comply with the following regulations:

The plug moulded on to the cord incorporates a fuse. For replacement, use a 13 amp BS 1362 fuse. Only ASTA approved or certified fuses should be used. The fuse cover/carrier must be replaced in the event of changing the fuse. The plug must not be used if the fuse cover/carrier is lost. A replacement cover/carrier must be obtained from an electrical goods retailer. If the socket outlets in your home are not suitable for the plug fitted to the appliance, then the plug must be cut off and an appropriate one fitted. When fitting the plug please note the following points:

IMPORTANT

THE WIRES IN THE MAINS LEAD ARE COLOURED IN ACCORDANCE WITH THE FOLLOWING CODE:

GREEN and YELLOW	- EARTH
BLUE	- NEUTRAL
BROWN	- LIVE

Installation

As the colours of the wires in the mains lead of this appliance may not correspond with the coloured markings identifying the terminals in your plug proceed as follows:

1. The wire which is coloured **GREEN** and **YELLOW** must be connected to the **EARTH** terminal in your plug, which is marked with the letter **E** or by the earth symbol \oplus or coloured **GREEN**, or **GREEN** and **YELLOW**.
2. The wire which is coloured **BROWN** must be connected to the **LIVE** terminal which is marked with the letter **L** or coloured **RED**.
3. The wire which is coloured **BLUE** must be connected to the **NEUTRAL** terminal which is marked with the letter **N** or coloured **BLACK**.

When wiring the plug, ensure that all strands of wire are securely retained in each terminal. Do not forget to tighten the mains lead clamp on the plug.

WARNING! A cut off plug inserted into a 13 amp socket is a serious shock hazard. Ensure that the cut off plug is disposed off safely.

Voltage 220/240 V AC

Fuse rating 13 amps

Connection

Connection for water supply and water discharge, as well as electricity, must always be at the side of the dishwasher. There is no space behind the machine. The following diagrams show the various ways in which the drainage and electrical installations can be carried out.

These examples are only recommendations, because actual locations may vary. Also local regulations must be adhered to.

- A Water discharge
- B Water inlet
- C Stop valve (UP)
- C₁ Double valve
- D Electricity supply
- E Electricity connection
- F Connecting piece, elbow or straight.
Outer dia. 19 mm. Length 30 mm.
- F₁ Two connecting pieces, elbow or straight.
Outer dia. 19 mm. Length 30 mm.
- G Stop valve, e.g. integrated into the tap.

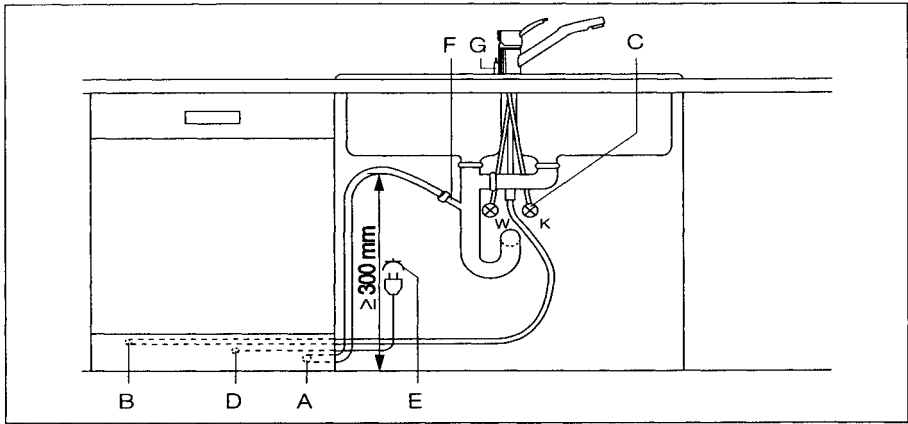


Fig. 27

AT 1(1)

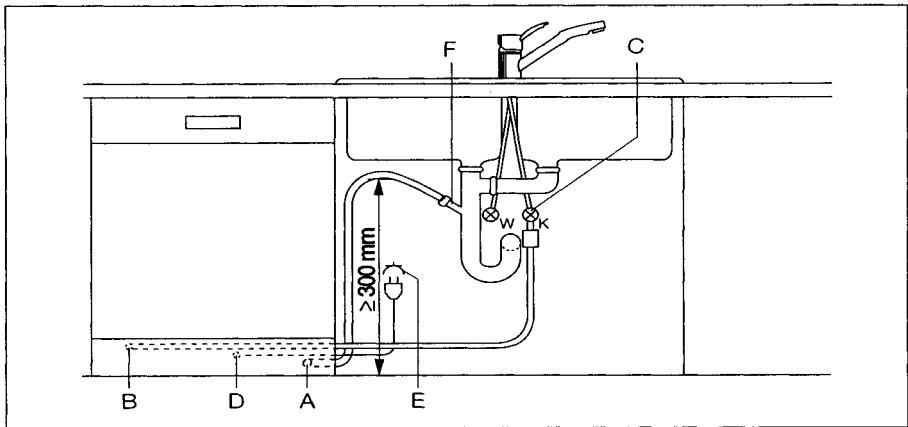


Fig. 28

AT 2(1)

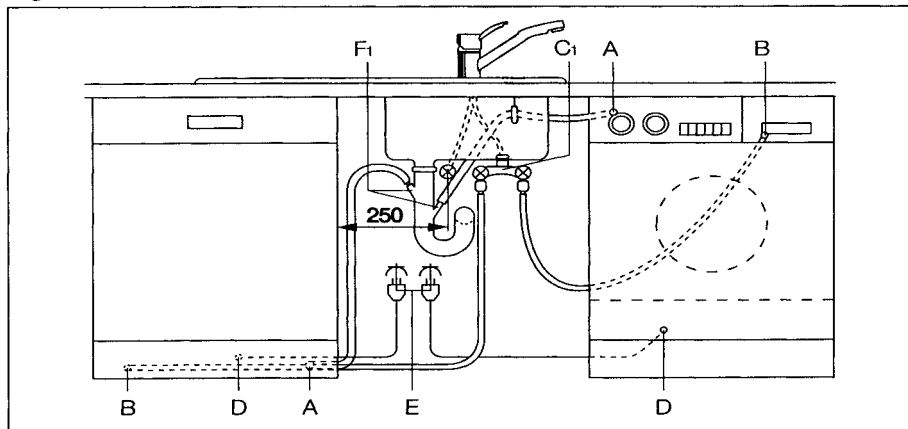


Fig. 29

AT 3

AEG Hausgeräte AG
Postfach 1036
D-90327 Nürnberg 1

© Copyright by AEG

H 241 204 340 - 01981./21 -

AEG Domestic Appliances Ltd

Customer Care Department

55-77 High Street

Slough

Berkshire SL1 1DZ

Telephone: 08705 350350