

# **Einbau-Flachschirm- Dunstabzugshaube**

**DFS 631/DFS 61 P 2**

**Build-In  
Flat-Screen  
Fume Extractor  
Hood**

**Hotte aspirante  
encastrable à  
visière plate**

**Cuffia incorpo-  
rabile di aspira-  
zione fumi con  
schermo piatto**

**Inbouwafzuigkap  
met plat scherm**

Montage- und  
Gebrauchsanweisung

Instructions for  
Installation and Use

Instructions de montage  
et Mode d'emploi

Istruzioni di montaggio  
e per l'uso

Montage- en  
gebruiksaanwijzing

**AEG**

## Gebrauchsanweisung unbedingt lesen und aufbewahren!

**D**

<i>Inhaltsverzeichnis</i>	Seite		Seite
Bildseiten (bitte ausklappen)	3-6	<b>Vor der Montage</b>	10-12
Ausstattung	7	<b>Bedienung der Dunstabzugshaube</b>	13
Technische Daten/ Zubehör und Montagematerial	7/8	<b>Wartung und Pflege</b>	14/15
Für die Elektro-Installation	8	<b>Reinigung</b>	15
Hinweise für den Benutzer	9	<b>Sonderzubehör</b>	16
		<b>Störungen</b>	16

## It is essential to read these Instructions for Use and keep them in a safe place!

**GB**

<i>Contents</i>	Page		Page
Illustration pages (please unfold)	3-6	<b>Prior to installation</b>	20-22
Equipment	17	<b>Operation of fume extractor hood</b>	23
Technical data/ Accessories and installation materials	17/18	<b>Maintenance and care</b>	24/25
Electrical installation	18	<b>Cleaning</b>	25
Instructions for the user	19	<b>Special accessories</b>	26
		<b>Faults</b>	26

## Lire attentivement et ranger soigneusement ce mode d'emploi!

**F**

<i>Contenu</i>	Page		Page
Pages d'illustration (prière de les déplier)	3-6	<b>Avant le montage</b>	30-32
Équipement	27	<b>Utilisation de la hotte aspirante</b>	33
Données techniques/ Accessoires et matériel de montage	27/28	<b>Entretien et nettoyage</b>	34/35
Pour l'installation électrique	28	<b>Nettoyage</b>	35
Remarques pour l'utilisateur	29	<b>Accessoires supplémentaires</b>	36
		<b>Pannes</b>	36

## Leggere immancabilmente e conservare le istruzioni per l'uso!

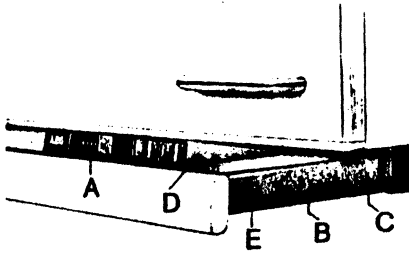
**I**

<i>Indice</i>	Pagina		Pagina
Pagine illustrate (preghiamovi voltare pagina)	3-6	<b>Prima del montaggio</b>	40-42
Corredo	37	<b>Comando della cuffia di aspirazione dei fumi</b>	43
Dati tecnici/ Accessori e materiale di montaggio	37/38	<b>Manutenzione e cura</b>	44/45
Per l'elettroinstallatore	38	<b>Pulizia</b>	45
Istruzioni per l'utente	39	<b>Accessori speciali</b>	46
		<b>Difetti</b>	46

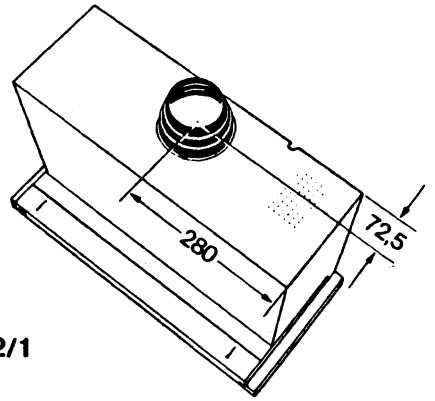
## Gebruiksaanwijzing, absoluut lezen en bewaren!

**NL**

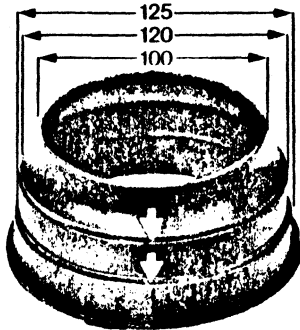
<i>Inhoud</i>	Bladzijde		Bladzijde
Afbeeldingen (openvouwen)	3-6	<b>Vóór de montage</b>	50-52
Uitvoering	47	<b>Bediening van de afzuigkap</b>	53
Technische gegevens/ Toebehoren en montagemateriaal	47/48	<b>Onderhoud</b>	54/55
Voor de elektrische installatie	48	<b>Schoonhouden</b>	55
Tips voor de gebruiker	49	<b>Speciale accessoires</b>	56
		<b>Storingen</b>	56



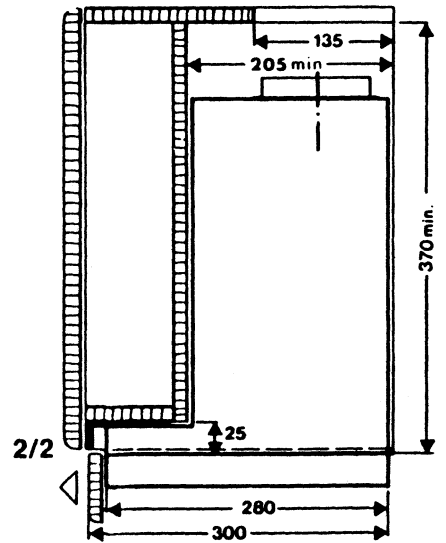
1



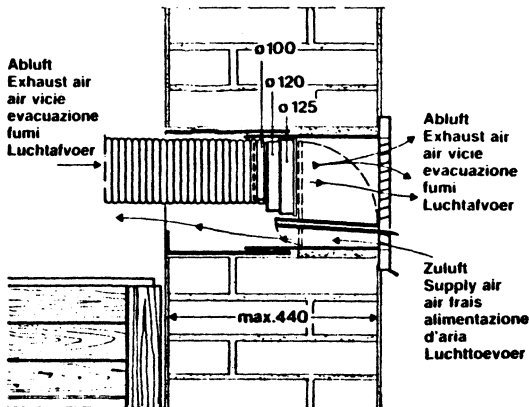
2/1



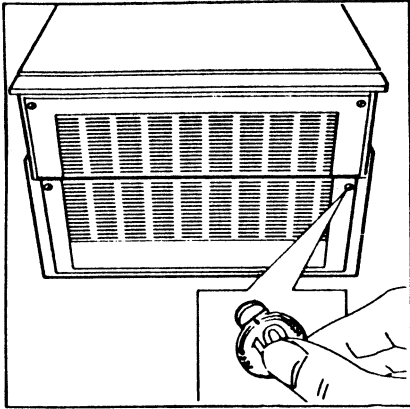
3



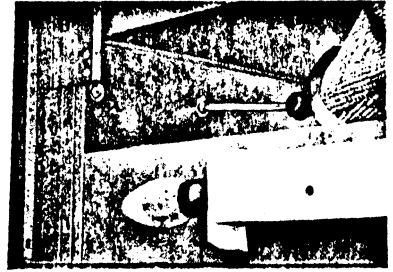
2/2



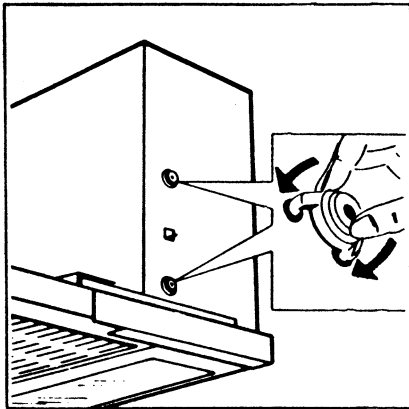
4



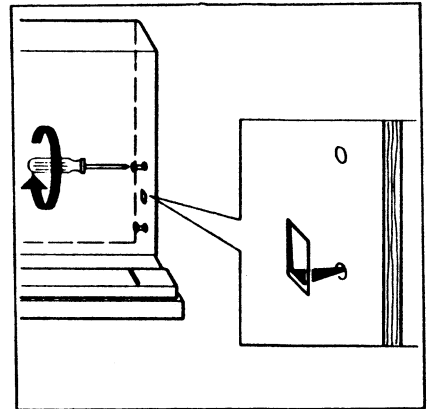
5



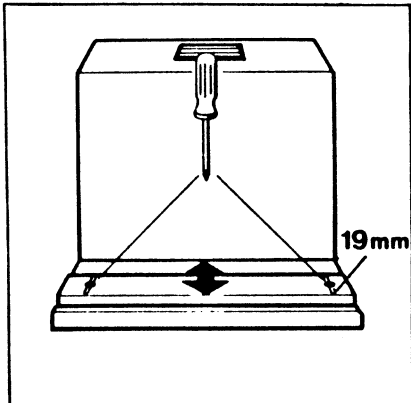
6



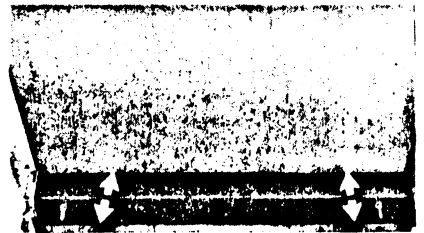
7/1



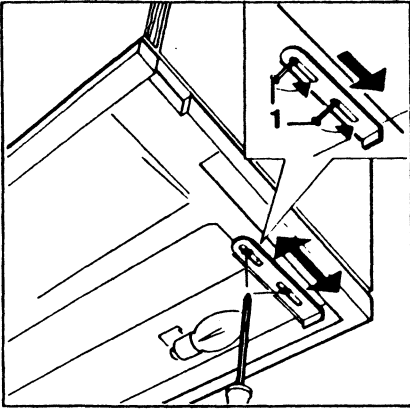
7/2



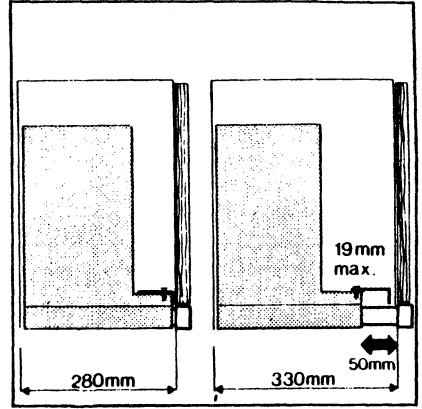
8/1



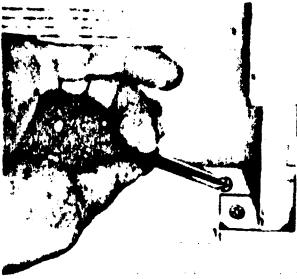
8/2



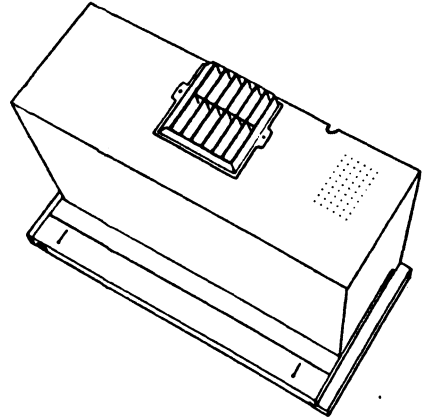
9/1



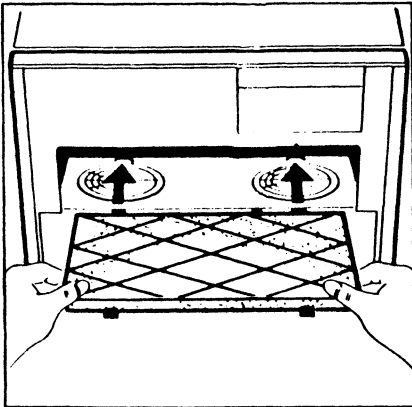
9/2



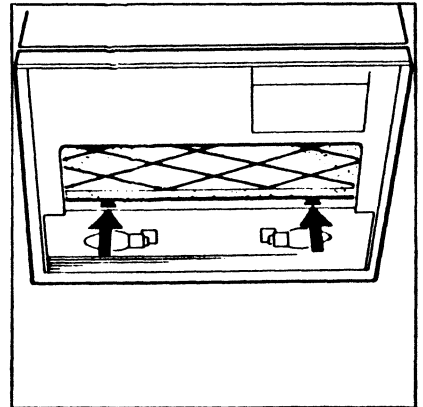
10



11



12



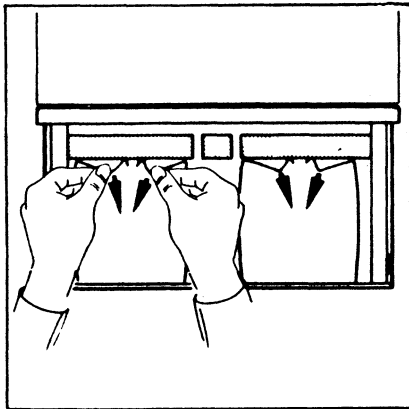
13



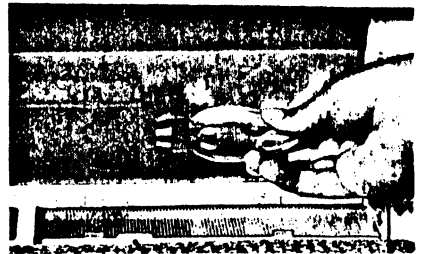
14



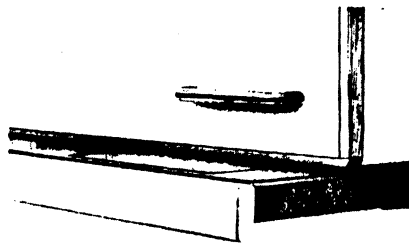
15



16



17



18

---

### **Operation of fume extractor hood**

#### **Appliance description (Fig. 1)**

- A** = Switches
- B** = Filter grille (grease filter)
- C** = Lighting
- D** = Folding-down control panel
- E** = Extractor part (depth-adjustable)

The fume extractor hood is switched on and regulated via the different switch elements on the appliance control panel (**Fig. 1/D**).

---

### **General**

The fume extractor hood is supplied as an exhaust air appliance and may be used as a return air appliance through application of an active carbon filter (**special accessory**).

**For this purpose, you need active carbon filter E-No. 610899460 (special accessory). For installation sequence, see page 22.**

---

### **Technical data**

---

#### **Dimensions:**

Height/width/depth (mm)  
397 x 598 x 275 without screen

#### **Weight:**

Net: 13 kg

---

#### **Connection**

220 V ~ via fixed supply lead with protective contact plug (Europa version).

240 V ~ via fixed supply lead (UK).

(Fixed connection to be made only by approved electrical installer.)

#### **Connected load (DFS 631/DFS 61 P 2)**

Total connected load: 210/290 W

Fan motor: 85/170 W

Lighting: 2 x 60 W max.

Sockets for E 14 candle lamps

---

## Technical data

---

### *Fan outputs (settings) to DIN 44971*

<b>DFS 61 P 2</b>	Continuously variable		Intensive
Exhaust air:	150 m <sup>3</sup> /h – 330 m <sup>3</sup> /h		450 m <sup>3</sup> /h
Return air:	140 m <sup>3</sup> /h – 260 m <sup>3</sup> /h		330 m <sup>3</sup> /h
<b>DFS 631</b>	Setting 1	Setting 2	Setting 3
Exhaust air:	150 m <sup>3</sup> /h	220 m <sup>3</sup> /h	300 m <sup>3</sup> /h
Return air:	140 m <sup>3</sup> /h	190 m <sup>3</sup> /h	250 m <sup>3</sup> /h

**Exhaust air system 120 mm dia.**

---

### **Air outlet:**

Above (Fig. 2/1)

Pipe connection stepped from 100 to 120 mm dia. or 125 mm dia. and provided with preset breaking point (**Fig. 3/arrow**) for exhaust air hoses of 100 and 120 mm dia. or 125 mm dia.

---

## Accessories/installation materials

---

- |   |  |
|---|--|
| 1 Drilling template for side mounting                         | 4 Spacers for 16 mm side parts (furniture) |
| 1 Drilling template for light screen                          | 1 Air outlet grille                        |
| 4 4 mm dia. chipboard screws for mounting in overhead cabinet | 1 exhaust air connection-piece             |
- 

## Electrical installation

---

Arrangement of the protective contact plug socket directly above the fume extractor hood or above the overhead cabinet confers two advantages:

- 1. The plug socket is not visible.**
- 2. You can easily de-energize the appliance where necessary by unplugging it.**

For the necessary fixed connection, the fume extractor hood may be connected only by an electrical installer registered with the competent electricity supply company. An isolating device is to be provided on the fixed wiring side. **Switches with a contact opening of more than 3 mm also apply isolating devices.** These include automatic cut-out switches, fuses, and contactors (VDE 0730, art. 7, Part 1).

---



---

## Important instructions for the user

---

During installation of the fume extractor hood, the following minimum distances from the **cooker plate to the underside of the fume extractor hood** are to be complied with:

above **electric cookers** 465 mm;  
above **gas, oil-fired, and coal-fired cookers** 650 mm.

It must be ensured that **open flame hobs are always covered** so that the **filter mats are not damaged** by excessive heat liberation. During **deep-frying over a cooker**, the **appliance used for deep-frying must also be supervised during operation**. The oil contained in the deep-frying appliance may spontaneously ignite through overheating. If contaminated oil is used, spontaneous ignition may occur even more readily. It should be noted that overheating may cause a fire.

**Flambe-cooking under the fume extractor hood is not allowed.**

**During all work on the fume extractor hood, also during lamp change, the appliance is to be de-energized.**

---

## Installation

---

### ***Application as exhaust air appliance*** **(Preparation/instructions)**

If the kitchen fume is run out into the open air through the external wall, you need a **telescopic wall box (E-No. 610 899 004, special accessory) (Fig. 4)**.

**Dimensions and position of air outlet opening (see Fig. 2/1).**

**For wall box/fume extractor hood connection, it is best to use non-flammable exhaust air hose E-No. 610 899 007 (120 mm dia.) from our range of special accessories.**

We further recommend flame-retardant materials, such as KA piping or flat ducting.

**The exhaust air connection-piece has a theoretical opening of 100, 120, or 125 mm dia.**

This can be used to fit exhaust air hoses optionally of 100, 120, or 125 mm dia. For 100 mm dia., fit directly with hose clamp.

For 120 mm dia., cut the exhaust air connection-piece (**Fig. 3**) at the **preset breaking point** (a sharp knife is sufficient).

**On the DFS 61 P 2, you should only use exhaust air hoses of min. 120 mm dia.!**

---

## Electrical installation

---

### **Electrical connection (appliances with connected load below 3000 watts)**

**Warning! All appliances with a 3 core lead must be earthed.**

#### **Voltage and current**

Please ensure that the voltage and current indicated on the rating plate agree with the voltage of your electricity supply.  
220/240 volts – (i.e. 220/240 V a.c.)

#### **Electrical connection**

Please note! (For users in the U.K.)  
If your appliance has been equipped with a mains lead with a moulded-on type plug, you must comply with the following regulations:

The plug moulded on to the lead incorporates a fuse. For replacement, use a 13 amp BS 1362 fuse. Only ASTA approved or certified fuses should be used. If the fuse cover/carrier is lost, a replacement cover/carrier must be obtained from electrical goods retailers. If the socket outlets in your home are not suitable for the plug fitted to the appliance, then the plug must be cut off and destroyed for safety reasons, and an appropriate plug fitted. When fitting the plug please note the following points:

#### **Important**

The wires in the mains lead are coloured in accordance with the following code:

Green and yellow	Earth
Blue	Neutral
Brown	Live

Some appliances have a twin core mains lead, when no earth is required.

As the colours of wires in the mains lead of this appliance may not correspond with the coloured markings identifying the terminals in your plug proceed as follows:

1. The wire which is coloured green and yellow must be connected to the Earth terminal in your plug, which is marked with the letter E or by the earth symbol ⊕ or coloured green, or green and yellow.
2. The wire which is coloured brown must be connected to the Live terminal which is marked with the letter L or coloured red.
3. The wire which is coloured blue must be connected to the Neutral terminal which is marked with the letter N or coloured black.

When wiring the plug, ensure that all strands of wire are securely retained in each terminal. Do not forget to tighten the mains lead clamp on the plug. This appliance meets the radio interference suppression requirements of EC Directive 82/499 EC and the standards concerning the effects of electrical appliances on power systems EN 60555 Parts 1-3/DIN VDE 0838 Parts 1-3, June 1987.

Voltage	220/240 V AC
Fuse rating	13 amps

See rating plate for further information.

---

## Prior to installation

---

### **Important:**

The exhaust air may not be introduced into a smoke flue or exhaust gas chimney. Introduction of the exhaust air into a shaft used for ventilation of the installation spaces of firerooms is not permitted.

If the exhaust air is introduced into a non-operational smoke flue or exhaust gas chimney, it is advisable to seek the consent of the competent chimney-sweep. The official exhaust air guidance regulations are basically to be complied with.

During operation as an exhaust air appliance, an adequate supply air opening of approximately the same size as the exhaust air opening is to be ensured.

According to the Provincial Building Regulations, the joint operation of fume extractor hoods and chimney-linked fireplaces, such as coal- or oil-fired ovens and gas heaters, in the same space is subject to specific restrictions. In such spaces, the Fireplace Regulations only allow an underpressure of max. 0.04 mbar.

The safe joint operation of chimney-linked appliances and fume extractor hoods is only guaranteed if space and/or dwelling (space/air interaction) are externally ventilated by a suitable supply air opening of around 500–600 cm<sup>2</sup> and an underpressure thereby avoided when the fume extractor hood is running.

In doubtful cases, please seek the advice and consent of the competent area chimney-sweep or the local building authorities.

Since, in spaces without fireplace, the rule is: "Supply air opening as large as exhaust air opening", the efficiency of the exhaust air device may be impaired by the greater opening of 500–600 cm<sup>2</sup>.

Operation of the hood as a return air hood in such circumstances is safe and is not subject to the regulations noted above.

---

### ***Mounting in furniture surround***

The fume extractor hood is factory-supplied for commissioning in upward exhaust air mode (Fig. 2/1).

Prior to installation of the fume extractor hood, a drillhole for the fitting aid (Fig. 7/2 – detail) is provided apart from the apart from the drillholes for mounting (Fig. 6). During fitting, the spring engages in the drillholes and thereby retains the fume extractor hood in the furniture surround. For the exhaust air hose, a hole of 135 mm dia. (Fig. 2/2) is to be cut out in the ceiling of the overhead cabinet. The furniture surround must have a minimum body depth (without

door) of 300 mm with recessed light screen and min. 280 mm with flushmounted light screen. Unobstructed internal height must be at least 370 mm.

---

## Prior to installation

---

### ***Mounting of fume extractor hood in furniture surround (exhaust air operation)***

1. Apply drilling template to inside wall of furniture surround on RH and LH sides, and mark out and drill mounting holes.
2. Unscrew the ventilation grille (**Fig. 8**) mounted on the appliance (2 screws), apply the exhaust air connection-piece prepared to the required exhaust air diameter, and twist it to the right to its fullest extent.
3. Fully withdraw extractor part of build-in fume extractor hood (**Fig. 1/E**).
4. Unlock filter grille (**Fig. 1/B**) by twisting locking bolts (**Fig. 5**), loosen rear mounting, and withdraw forwards.
5. For 19 mm side walls of furniture body, mount appliance with 4 supplied screws (**Fig. 6**).
6. For 16 mm side walls of furniture body, the supplied spacers, two each on the LH and RH sides, must be clipped on (**Fig. 7/1** and **Fig. 7/2**) to compensate and mounted with 4 4 mm dia. screws.
7. Refit filter grille (**Fig. 1/B**) and fix with locking bolts.
8. Insert extractor part (**Fig. 1/E**).

---

### ***Incorporation of a spice rack***

If a spice rack is to be incorporated in front of the build-in fume extractor hood, a minimum distance of 5 mm must be provided between front edge of fume extractor hood and between spice rack wall. (It is imperative to ensure that there is such an air gap for air circulation.)

The upper part of the spice rack rear wall should be detachable (access for exhaust air hose or adjustment of furniture surround). To assure visual compensation between appliance and furniture body, the cover panel (**Fig. 8/1** and **Fig. 8/2**) can be matched to the furniture body depth.

---

---

## Prior to installation

---

### **Adjustment of extractor part (Fig. 1/E)**

On wall cabinets with a body depth from 280 mm to 330 mm, the extractor depth can be adjusted as follows:

1. Remove both grease filter grilles (Fig. 1/B) by unlocking (Fig. 5).
2. Loosen two screws on stop bracket (Fig. 9/1) and set withdrawal depth (Fig. 9/2) (min. 280 mm, max. 330 mm).  
If the extractor part is still to be re-adjusted forward (withdrawal depth max. 330 mm), both screws on the stop bracket (Fig. 9/1) are loosened, the bracket is set backwards, and the screws are refixed.
3. Refix screws!
4. Insert and lock grease filter grilles.

---

### **Installation of light screen (furniture part)**

1. Remove filter grille (Fig. 1/B).
2. Remove front part of extractor part by loosening 5 screws (Fig. 10).
3. Predrill and mount light screen (furniture part) as per template.

---

### **Application as return air appliance (Preparation/instructions)**

1. Cut out a 135 mm dia. hole in the ceiling of the furniture surround (Fig. 2/2).
  2. Depending on surrounding cabinet height, you need, for return air operation, the supplied pipe connection-piece or, additionally, a non-flammable pipe piece (100 or 120 mm dia.) as far as the surround ceiling/overhead cabinet.
  3. Build in fume extractor hood as described under exhaust air operation.
  4. Screw the detached ventilation grille (Fig. 11) on to the surrounding cabinet ceiling. From the ventilation grille, the air must be able to flow back unimpeded into the room. If screening is provided as far as the ceiling, make an appropriate opening in the screen.
  5. Fix active carbon filter KFS (E-No. 610899460) (special accessory) above in both hooks (Fig. 12/arrow) and clip in below (Fig. 13/arrow).
  6. Re-insert filter grille.
  7. Insert extractor part.
- The fume extractor hood is now ready to operate in return air mode.**

---

## Operation of fume extractor hood

---


### ***Appliance description***


(Figs. 14 and 15)


The individual numbers and symbols have the following meanings (from right to left):

#### **DFS 631 (Fig. 14)**

 = Lighting On/Off

 = Setting 1

 = Setting 2

 = Setting 3

#### **DFS 61 P 2 (Fig. 15)**

 = Lighting On/Off

 = Continuously variable output control

 = Blower On/Off

 = Intensive setting

---

On the DFS, the blower is controlled by shifting the sliding switch.

The extractor part of the build-in fume extractor hood can be used to switch the lighting and blower on and off when the appliance is switched on (fan motor, lighting).

**When the extractor part of the appliance is withdrawn (without preceding disengagement of the build-in fume extractor hood via the switch elements), first the lighting and then the set fan output are automatically re-engaged.**

If the extractor part is re-inserted without operation of the switches, first the blower and then the lighting of the appliance are switched off.

**The control panel (Fig. 1/D) can be opened or closed after withdrawal of the extractor part (Fig. 1/E) by pressing the centre of the control panel (Fig. 18) (also when the fume extractor hood is switched on)!**

**This prevents unauthorized operation (child-proofing) and soiling of the operating switches.**

---

**The build-in fume extractor hood is to be switched on before cooking begins and allowed to run on around 15 minutes after cooking is completed!**

---

---

## Maintenance and care

---

### **Replacement of grease filter (DFS 631)**

The grease filter with external white stripes (indicator stripes) incorporated in the appliance is replaced by a new filter paper when the white stripes are no longer visible and the replacement instruction "**Please change ET-No.**" comes through in red. The filter should be changed every 2–3 months depending on operating period.

To replace the filter, proceed as follows:

1. De-energize appliance. Fully withdraw extractor part.
2. Unlock grease filter grille (Fig. 1/B) by shifting locking bolts (Fig. 5), tilt down, loosen rear mounting by slight pressure, and withdraw forwards.
3. Laterally compress holding frame (Fig. 16) to centre at front and rear and pull out upwards.

4. Remove filter.
5. Clean grease filter grille with lukewarm soap-suds and dry.
6. Fold new trimmed (cutting plan accompanies filter mat – special accessory) filter paper around 10 mm at front, slide folded part at front into edge of panel, and insert with white stripes facing outwards. (Ensure allround smooth bearing!).
7. Engage holding frame (Fig. 16) first at left and then at right in grease filter grille.

**The grease filter can also be changed on the appliance with the grease filter folded down.**

---

### **Changing or cleaning the metal grease filter (DFS 61 P 2)**

(On the DFS 631, you can use a washable compl. metal filter [special accessory, see page 26] instead of the fleece grease filter.)

**The metal filter should be removed around every 6–8 weeks and cleaned in the dishwasher!**

**For this purpose, remove grease filter grilles (Fig. 1/B) from appliance by twisting locking bolts (Fig. 5). Insert two new grease filter grilles compl. with metal filters!**

---

To dismantle and re-assemble, proceed as follows:

1. De-energize appliance. Fully withdraw extractor part.
2. Open grease filter grille (Fig. 1/B) by twisting locking bolts (Fig. 5).
3. Remove grease filter grille with metal grease filter.
4. After cleaning, refit in reverse sequence.

---

## Maintenance and care

---

### **Replacement of active carbon filter (instructions)**

**The active carbon filter must be changed not later than after 1 year. The active carbon filter cannot be washed or re-generated.**

Good deodorization is conditional upon a suitable active carbon volume and specific arrangement of the active carbon filter in your fume extractor hood.

This combination ensures positive return air supply in contrast to exhaust air operation. A decisive factor affecting deodorization is what is known as the dwell time of the aspirated air in the active carbon filter.

This dwell time can only be achieved with the AEG Original Active Carbon Filter (see **Special accessories on page 26**).

### **To change the active carbon filter, proceed as follows:**

1. De-energize appliance.  
Unlock and remove filter grille (**Fig. 1/B**) by shifting locking bolts (**Fig. 5**).
2. Remove old active carbon filter (**lift and pull out downwards**) and insert new active carbon filter.
3. Insert filter grille and lock with locking bolts (**Fig. 5**).

**The fume extractor hood is now ready to operate in return air mode.**

---

### **Light bulb change**

Before changing light bulbs, de-energize the appliance.

1. Unlock rear filter grille (**Fig. 1/B**) by shifting locking bolts (**Fig. 5**) and tilt down.
2. Unscrew defective candle lamp and replace with new one (**Fig. 17**).
3. Close grease filter.

**Important: Use max. 60 W candle lamps, E 14 socket!**

**You can change the light bulbs yourself!**

---

## Cleaning

---

At least once per year, you should clean internal surfaces of your appliance free of grease deposits to ensure that its full reliability is retained. Old grease residues are highly flammable. Super-saturated grease and deodorization filters are therefore also to be avoided.

It is important to observe the filter change and cleaning intervals.

Failure to do so may cause a fire risk as a result of grease depositions!

**Important! To clean the fume extractor hood, de-energize the appliance (e.g. pull out mains plug). Never introduce sharp objects into the protective grille of the motor!**



---

## Special accessories

---

KFS active carbon filter E-No. 610899460

Grease filter with saturation indication (DFS 631 only, pack of 2 for trimming) E-No. 610899112

MKZ wall box E-No. 610899004

Exhaust air hose 100 mm dia., aluminium E-No. 610899005

Exhaust air hose 120 mm dia., aluminium E-No. 610899007

MFS 1 metal filter, compl. (DFS 61 P 2/DFS 631) E-No. 610899475

---

## Faults

---

In case of any enquiries and faults, please call our after-sales service (see service centre list).

When calling, please state the following:

1. The model designation
2. The E-No.
3. The F-No.

**You will find these data on the nameplate after opening the filter grille on the LH inside of the fume extractor hood.**

The manufacturer reserves the right to make alterations in design and colour in the interests of technical development without prior notice.

---

This appliance complies with the radio interference suppression requirements of EEC Directive 82/499 EEC as well as with the Standard concerning the Retroactive Effect of the Mains Supply EN 60555 Part 1-3/ DIN VDE 0838 Parts 1-3, June 1987.

---





---

Bitte geben Sie unserem Kundendienst folgende Angaben bei einer Störung an:

If your appliance has a fault, please contact our service engineer  
and state the following numbers:

Veillez donner ces indications au service après-vente lors d'une panne éventuelle:

In caso di difetto comunicate al nostro servizio tecnico assistenza clienti i seguenti dati:

Geef onze klantendienst het volgende bij een storing op:

E-Nr. 610. . . . .

F-Nr. . . . .

H 261 235 100 – 0388/01 –

Änderungen vorbehalten  
Subject to alterations and improvements in design without prior notice  
Sous réserve de modifications  
Riservato il diritto di effettuare modifiche  
Wijzigingen voorbehouden

TNR 237 023

GA 1150/10.88

**AEG**