

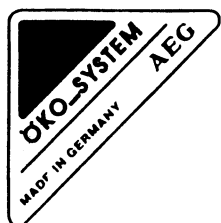
105 D

Fume Extractor Hood

Installation and Operating Instructions

Contents

Introduction	15
Extractor version	15
Filter version	16
Electrical connections	17
Safety warnings for electrician	17
Specifications	18
Installation	19
Safety warnings for kitchen unit installer	19
Wall unit mounting	20
Wall mounting	21
Hood operation	22
Safety warnings for user	22
Maintenance and care	23
Opening the grille	23
Grease filter	23
carbon filter	23
Changing the light bulb	24
Cleaning	25
Special Accessories	25
Technical Assistance Service	25



Introduction

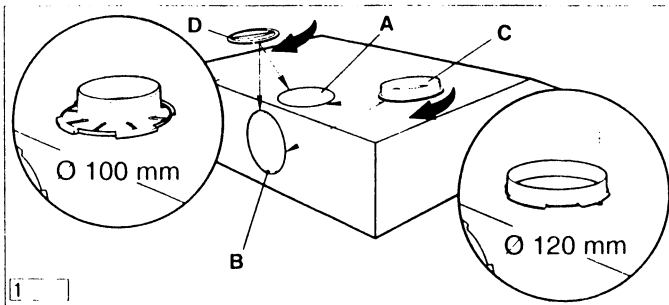
The hood is supplied as an extractor unit and can also be used with a filtering function by fitting activated carbon filters (special accessory).

The unit features two outlet holes, one of which **A** is located on the top of the unit while the other **B** is located on the rear.

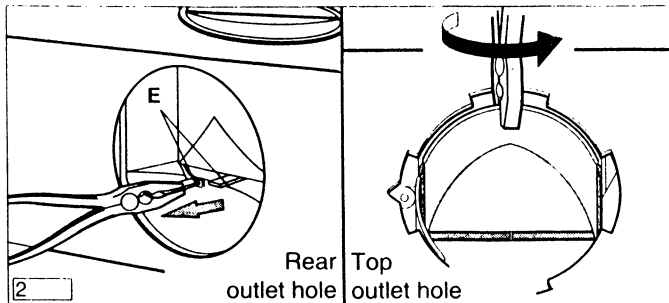
To connect up the hose, you should first fit my bayonet-mounting flange **C** (100 or 120 mm) on the outlet required (if using the top outlet, fix the flange in place using the screw supplied as shown in **Fig. 1**).

Close off the unused hole using the bayonet-fitting caps **D**.

Extractor version



If using the rear hole, open the air passage by removing the partition (**E** — **Fig. 2**)



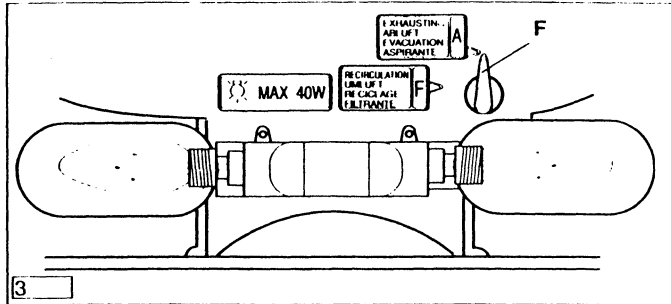
Move the lever **F** to position **A** — **Fig. 3**.

When connecting up the hood using a telescopic wall pipe, you should preferably use my unflamable outlet hose No. E 610 899 007 or 610 899 005 (120 mm Ø or 100 mm Ø) from our range of special accessories.

Filter version

The air is filtered and recirculated through the front grille.

Move the lever F to position F — Fig. 3.



You will need an original AEG KLF60/80 activated carbon filter for my filtering function. (See special accessories).

Electrical connections

Check that the power supply voltage shown on the rating plate corresponds to the mains supply before proceeding to make any electrical connections. If the unit is supplied ready-fitted with a plug, it can be connected to any easily accessible socket installed in compliance with the regulations in force.

If a fixed connection is required, the hood must be installed exclusively by an electrician registered with the local electrical company. The hood should be installed using an omnipolar switch with contacts that open to at least 3 mm.

Fused switches can be used for this purpose (with cartridge fuses that can be extracted from the fuse holder), as can automatic circuit breakers and contactors which open to more than 3 mm.

We decline all responsibility for any problems or faults caused by a failure to observe the above instructions.

Installing the socket directly above the hood or above the wall unit mounted above the hood offers the following advantages:

1. The socket cannot be seen.
2. The unit can be disconnected whenever required by simply taking out the plug.

Electrical connections

230 V - using fixed power supply line with plug.

240 V - using fixed power supply line (Great Britain).

(The unit should only be connected up by an authorized electrician).

The unit is screened against radio interference in compliance with European Community directives 87/308 EEC, EN 55014/DIN VDE 0875 Part 1.

**Safety
warnings
for electrician**

Specifications

Dimensions:

Height	Width	Depth (in mm)
152	599	505

Weight:

Net:	8.7 Kg
Gross:	9.6 Kg

Maximum absorbed power: 230 W

Motor absorption: 1 x 150 W

Lighting: 2 x 40 W

Fan powers (levels), levels in compliance with DIN 44 171

Level:	1	2	3	Intensive
Extractor:	115 m ³ /h	142 m ³ /h	194 m ³ /h	283 m ³ /h
Version:	68 m ³ /h	119 m ³ /h	161 m ³ /h	181 m ³ /h

Extractor system: 100 and 120 mm Ø

Installation

When used as an extractor unit, the hood must be fitted with a 100 or 120 mm diameter hose.

If the outlet hose is installed in a horizontal position, it must nevertheless be slanted at an angle of 10° so that the air can flow outside without impediment.

When installing the hood, make sure you respect the following minimum distance from the top edge of the cooking hob/ring surfaces:

electric cookers	650 mm
gas cookers	650 mm
coal and oil cookers	700 mm min.

The air outlet must not be connected to chimney flues or combustion gas ducts. The air outlet must under no circumstances be connected to ventilation ducts for rooms in which fuel-burning appliances are installed.

It is advisable to apply for authorization from the relevant controlling authority when connecting the outlet to an unused chimney flue or combustion gas duct.

The air outlet installation must comply with the regulations laid down by the relevant authorities.

When the unit is used in its extractor version, a sufficiently large ventilation hole must be provided, with dimensions that are approximately the same as the outlet hole.

National and regional building regulations impose a number of restrictions on using hoods and fuel-burning appliances connected to a chimney, such as coal or oil room-heaters and gas fires, in the same room.

The Italian decree on fuel-burning systems specifies a maximum depression of 0.04 bar in such rooms.

Hoods can only be used safely with appliances connected to a chimney if the room and/or flat (air/environment combination) is ventilated from outside using a suitable ventilation hole approximately 500-600 cm² large to avoid the possibility of a depression being created during operation of the hood. If you have any doubts, contact the relevant controlling authority or building inspector's office.

**Safety
warnings for
kitchen unit
installer**

Since the rule for rooms with fuel burning appliances is "outlet hole of the same size as the ventilation hole", a hole of 500-600 cm², which is to say a larger hole, could reduce the performance of the extractor hood.

If the hood is used in its filtering function, it will operate simply and safely in the above conditions without the need for any of the aforementioned measures.

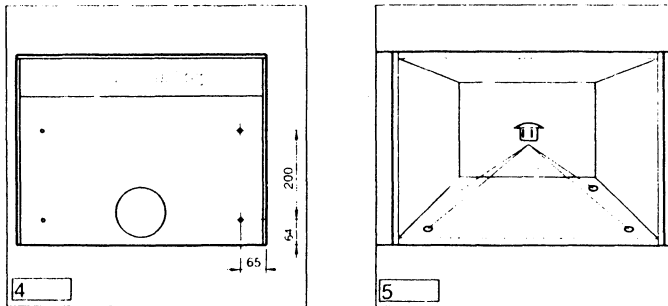
When the hood is used in its extractor function, the following rules must be followed to obtain optimal operation:

- short and straight outlet hose
- keep bends in outlet hose to a minimum
- never install the hoses with an acute angle, they must always follow a gentle curve only
- keep the hose as large as possible (100 or 120 mm Ø min.).

Failure to observe these basic rules will drastically reduce the performance and increase the noise levels of the extractor hood.

Wall unit mounting

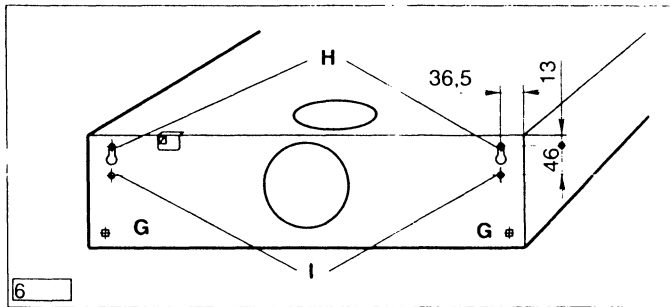
- Drill four 6 mm Ø holes in the base of the wall unit using the template supplied.
- Mount the hood unit on the base of the wall unit using four 4.2 x 35 mm screws. — Fig.4



If using an interchangeable model, fit the plastic caps supplied in any unused mounting holes. — Fig. 5

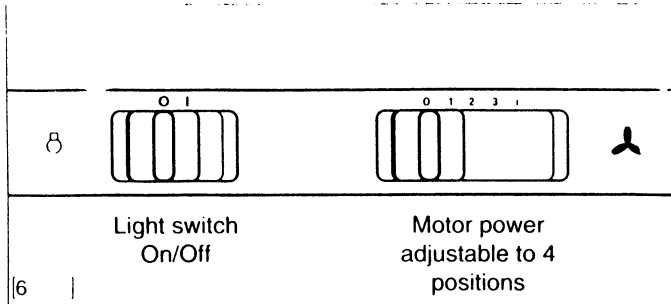
Wall mounting

- Position the template on the wall.
- Drill four 8 mm \varnothing holes in the wall, 2 in points **H** and 2 in points **I**.
- Fit the four 8 mm screw anchor plugs in the wall.
- Screw two 5 x 45 mm screws in points **H** but do not tighten them fully home.
- Adjust the unit so that it is positioned at a right angle to the wall by turning the two support screws **G**.
- Now hang the hood on the wall (holes **H**). Tighten the first two screws and, for safety's sake, screw the other two 5 x 45 mm screws into the holes in the hood. — **Fig. 6**



Hood Operation

The hood is fitted with a variable speed motor. The most effective use of the hood is obtained by switching it on a few minutes before you start cooking and leaving it on for approximately 15 minutes after you have finished, thus ensuring all cooking odours are eliminated. The control switches are located on the unit's front panel: the **light switch** switches the hood lamp on and off; the **motor switch** switches the cooking smoke and vapour extractor motor on and off, enabling you to select one of the four different speeds.



Safety warnings for user

Never leave a cooking hob or ring on without a pot or pan on top of it, to avoid the possibility of excess heat damaging the unit. Gas, oil or coal cooker flames in particular should never be left uncovered.

Special care should be taken when using deep fat fryers since the oil in them can overheat and burst into flames.

The risk of a fat fire increases when using dirty oil.

It is extremely important to note that overheating can cause a fire.

Never carry out any flambé cooking under the hood.

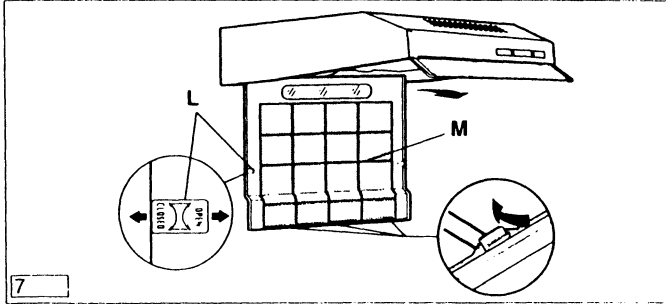
Always disconnect the unit from the power supply before carrying out any work on the hood, including replacing the light bulb (take the cartridge fuse out of the fuse holder or switch off the automatic circuit breaker).

It is very important to clean the hood and replace the filter at the recommended intervals. Failure to do so could cause grease deposits to build up, causing a fire hazard.

Maintenance and care

The hood must always be disconnected from the mains power supply before beginning any maintenance work.

- Open my latch **L** and swing the grille downwards. — **Fig. 7.**
- To remove the grille, pull it forwards from the right and release it.



My grease filter has been designed to absorb the grease particles that are formed during cooking and is always used, irrespective of whether the hood is set up for extractor or filter operation. The synthetic filter is very thin (approx. 1 mm) and positioned on the inside of its related support grille.

The filter should be changed when the fat stains on its inside surface can be seen through the grille holes.

The grille should be cleaned with luke warm water and non-abrasive detergent when you change the filter.

My grease filter can be ordered from the AEG technical assistance service.

Open the grille and remove the stops **M** to take out the filter. See **Fig. 7.**

My activated carbon filter should only be used if you want to use the hood in its filtering function.

To do this you will need an original AEG activated carbon filter (see special accessories).

This filter cannot be cleaned or reused.

As a general rule, the activated carbon filter should be changed once every four months.

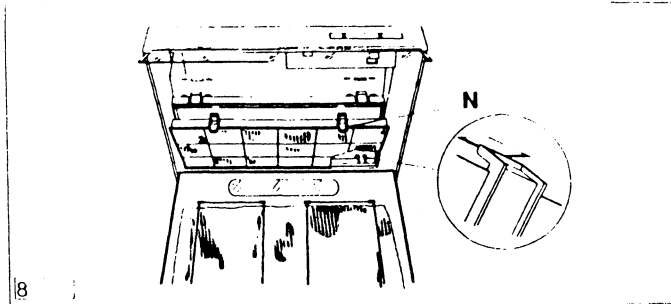
Opening the grille

Grease filter

Carbon filter

Removing the filter

- Press the stops **N** and remove the **filter** by pulling it downwards. — **Fig. 8**



Always specify the hood model code number and serial number when ordering replacement filters. This information is shown on the registration plate located on the inside of the unit.

The activated carbon filter can be ordered from the AEG technical assistance service.

Warning

Failure to observe the instructions on cleaning the unit and changing the filters will cause a fire hazard. You are therefore strongly recommended to follow these instructions.

Changing the light bulb

- Disconnect the unit from the mains power supply.
- Remove the cover
- Replace the old light bulb with a new light bulb (40 W max.).
- If the light does not come on, make sure the bulb has been screwed in correctly before contacting the technical assistance service.

Cleaning

Warning: always disconnect the hood from the mains power supply before cleaning it.

Never insert pointed objects in the motor's protective grille.

Wash my outside surfaces using a delicate detergent solution. Never use caustic detergents or abrasive brushes or powders.

Only ever clean the switch panel and filter grille using a damp cloth and delicate detergents.

It is extremely important to clean the unit and change the filters at the recommended intervals. Failure to do so will cause grease deposits to build up that could constitute a fire hazard.

Special accessories

MKZ telescopic wall pipe	E-Nr.610 899 004
120 mm outlet hose	610 899 007
100 mm outlet hose	610 899 005
Synthetic grease filter	610 899 210
Metal grease filter	610 899 230
KLF60/80 activated carbon filter	610 899 421

Technical assistance service

You are welcome to telephone our technical assistance service (see list of technical assistance centres) whenever you need information or in the unlikely event of a fault.

When calling, please be ready to specify:

1. **The model code number**
2. **The serial number (E-Nr.)**
3. **The manufacturing number (F-Nr.)**

This information is shown on the registration plate inside the unit behind the grease filter grille.

We reserve the right to change specifications and colours as a result of our policy of continuing technological development.

If your appliance has a fault, please contact our service engineer and state the following numbers:

E-Nr. 610

F.Nr.

AEG Hausgeräte AG
Postfach 1036
D-90327 Nürnberg 1

© Copyright by AEG

H 260 264 700 L 407A Ed. 10-93

AEG Domestic Appliances Ltd

Customer Care Department
55-77 High Street
Slough
Berkshire SL1 1DZ

Telephone: 08705 350350