



**De'Longhi America, Inc.**

Park 80 West, Plaza One  
Saddle Brook, NJ 07663  
1-800-322-3848

**De'Longhi Canada, Inc.**

6150 McLaughlin Road  
Mississauga, Ontario  
L5R 4E1 Canada  
1-888-335-6644

**Fiducia Italiana S.A de C.V.**

Pestalozzi 814  
Col. Del Valle  
Del. Benito Juarez  
México D.F. 03100  
tels: 5543 1447 y 5543 6492  
Lada sin costo: 01800 711 8805

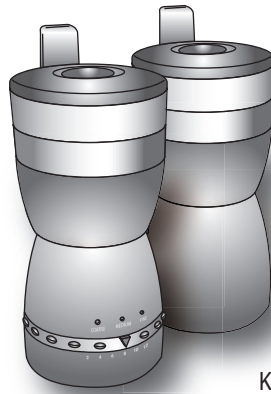
[www.delonghi.com](http://www.delonghi.com)

**COFFEE GRINDER - IMPORTANT INSTRUCTIONS  
SAVE THESE INSTRUCTIONS**

**MOULIN A CAFE - MODE D'EMPLOI IMPORTANT-  
CONSERVEZ LES PRESENTES INSTRUCTIONS**

**MOLINILLO DE CAFÉ - INSTRUCCIONES IMPORTANTES  
REPASE Y GUARDE ESTAS INSTRUCCIONES- LEA  
CUIDADOSAMENTE ESTE INSTRUCTIVO ANTES DE UTILIZAR EL  
APARATO**

**MACINACAFFÈ - ISTRUZIONI IMPORTANTI  
CONSERVARE LE ISTRUZIONI**



KG40 - 49

Register this product on-line and receive a free trial issue of Cook's Illustrated. Visit [www.delonghiregistration.com](http://www.delonghiregistration.com). Visit [www.delonghi.com](http://www.delonghi.com) for a list of service centers near you. (U.S. and Canada only)

Enregistrez ce produit en ligne et recevez un numéro gratuit de Cook's Illustrated. Visitez [www.delonghiregistration.com](http://www.delonghiregistration.com). Visitez [www.delonghi.com](http://www.delonghi.com) pour y voir une liste des centres de réparation proches de chez vous. (É.-U. et Canada).

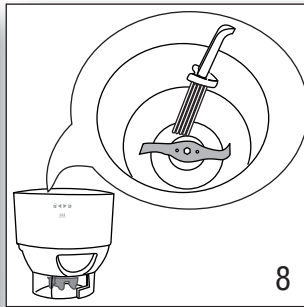
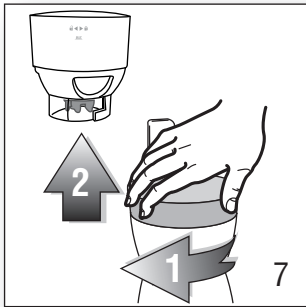
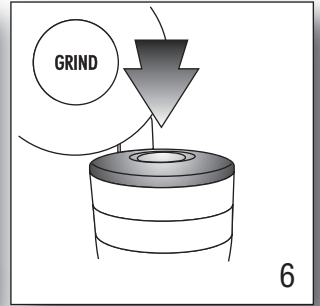
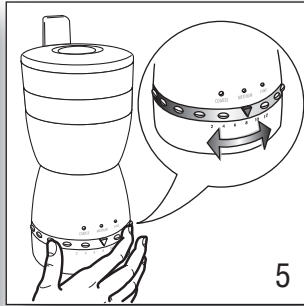
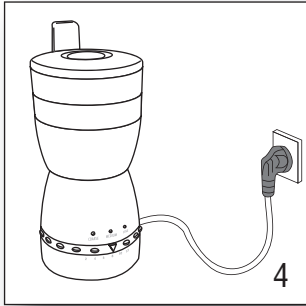
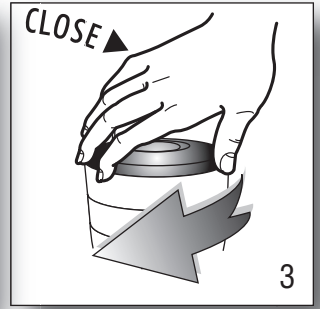
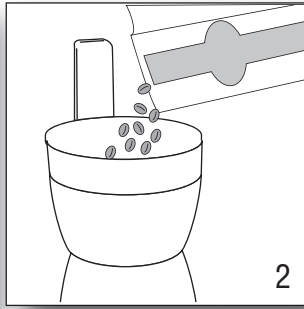
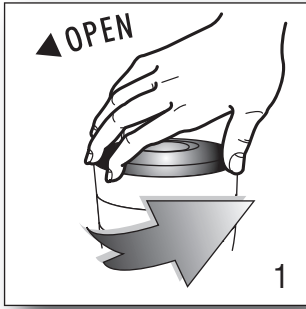
Registre este producto en línea y reciba un ejemplar gratis de Cook's Illustrated. Visite [www.delonghiregistration.com](http://www.delonghiregistration.com).

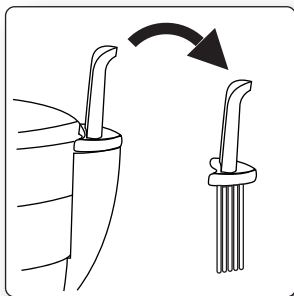
Visite [www.delonghi.com](http://www.delonghi.com) para ver la lista de centros de servicios cercanos a usted. (Estados Unidos y Canada)

Registra questo prodotto "on-line" per ricevere una copia omaggio della rivista "Cook's Illustrated". Visita [www.delonghiregistration.com](http://www.delonghiregistration.com). Visita [www.delonghi.com](http://www.delonghi.com) per una lista dei centri di servizio a te più vicini. (Stati Uniti e Canada)

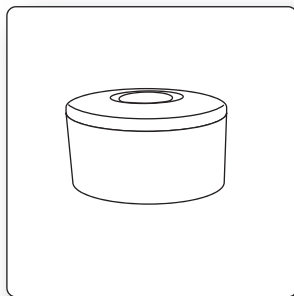
ELECTRONIC CHARACTERISTICS: CARACTÉRISTIQUES ÉLECTRIQUES:  
CARACTERISTICAS ELECTRICAS: CARATTERISTICHE ELETTRICHE:  
120V-60HZ 170W

**DeLonghi**

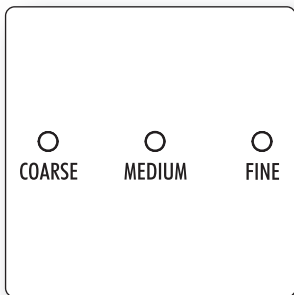




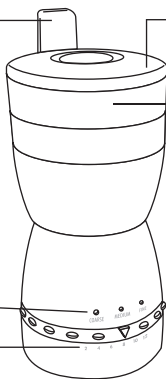
**A**



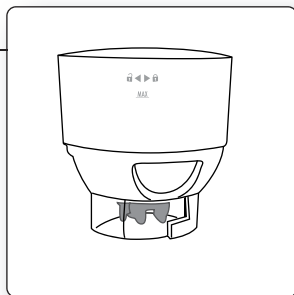
**B**



**F\***

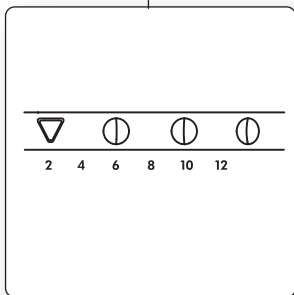


**C**

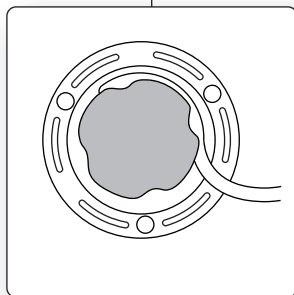


**D**

**E\***



**\* KG49 only**  
**Seulement KG49**  
**Solo KG49**  
**Solo KG49**



# IMPORTANT SAFEGUARDS

---

When using electrical appliances, basic safety precautions should always be followed, including the following:

- **Read all instructions.**
- To protect against fire, electrical shock and personal injury, do not immerse cord, plug or appliance in water or other liquid.
- Unplug from the outlet when not in use and before cleaning.
- Do not operate with a damaged cord or plug, or after the appliance malfunctions, or has been damaged in any manner. Return the appliance to the nearest authorized De'Longhi service facility for examination, repair or adjustment.
- The use of accessory attachments or spare parts not recommended by the appliance manufacturer may result in fire, electrical shock or personal injury.
- Never unplug from the socket by pulling the cable.
- Do not use outdoors.
- Do not let the cord hang over the edge of the table or counter, or touch hot surfaces.
- Make sure the lid is tightly closed before turning the appliance on.
- Never use the appliance for purposes other than those for which it was designed. This appliance is intended for household use only. Any other use is considered improper and thus dangerous
- Never remove the lid until the appliance has stopped grinding.
- Do not attempt operation without the cover being in place.
- Never immerse the appliance in water and never wash any component of the appliance in a dishwasher. Damage to the unit will occur if submerged in liquid.
- Do not operate this appliance continuously for more than 60 seconds. Allow appliance to cool down for 10 minutes before using again.
- Never chop ice or use the grinder other than as described in the instructions.
- Make sure there are no foreign objects inside the grinder.

## SAVE THESE INSTRUCTIONS

### THIS PRODUCT IS FOR HOUSEHOLD USE ONLY

### SHORT CORD INSTRUCTIONS

---

- A short power cord is provided to reduce risks resulting from becoming entangled in or tripping over a longer cord.
- Longer, detachable power supply cords or extension cords are available and may be used if care is exercised in their use.
- If an extension cord is used, the marked electrical rating should be at least as great as the electrical rating of the appliance. The longer cord should be arranged so that it will not drape over the counter-top or table top where it can be pulled on by children or tripped over.
- Your product is equipped with a polarized alternating current line plug (a plug having one blade wider than the other). This plug will fit into the power outlet only one way. This is a safety feature. If you are unable to insert the plug fully into the outlet, try reversing the plug. If the plug should still fail to fit, contact your electrician to replace your obsolete outlet. Do not defeat the safety purpose of the polarized plug.

## DESCRIPTION OF THE APPLIANCE

- A. Cleaning brush
- B. Coffee bean container's cover
- C. Coffee bean container
- D. Cable winder
- E. Cups number selection ring (KG49 only)
- F. Indicator for degree of grinding (KG49 only)

## PRELIMINARY CHECKS

### Controls after transport

After removing the packaging, make sure the product is complete and undamaged and that all accessories are present.

Do not use the appliance if it is visibly damaged. Contact the technical service center.

### Connecting the appliance



**Important!** Check that the power supply voltage corresponds to the value indicated on the rating plate on the bottom of the appliance.

Connect the appliance to an efficiently earthed and correctly installed socket with a minimum current rating of 10A only. If the power socket does not match the plug on the appliance, have the socket replaced with a suitable type by a qualified professional.

## USING THE APPLIANCE

- Place the appliance on a flat surface.
- Unscrew the lid in a counter-clockwise direction and lift it off (fig. 1).
- Fill the container with the desired amount of coffee beans (fig. 2).
- Screw the lid in a clockwise direction, rotating it until it can't be turned anymore (fig. 3). A safety device will not allow operation if the lid is not inserted correctly.
- Pull out the length of cord required and plug into the socket (fig. 4).
- In select models (KG49), turn the cups number selection ring (E) to the number of cups you wish to grind (fig. 5). The amount of coffee will change depending on individual taste, the type and roasting of the coffee beans and

the degree of grinding selected: never fill over the MAX level stamped on the coffee bean container.

- Press the cover to start the coffee grinder (fig. 6) and keep it pressed until the right grinding level is obtained.
- In models with indicator lights showing the degree of grinding (F) (coarse, medium, fine), press the cover and then release it when the indicator lights up relative to the required degree of grinding. Remember that when the cover is released, even for a second, the appliance resets and starts grinding again as if there were whole beans inside.

## TIPS

- Always keep the lid of the coffee bean container tightly closed to keep in all the flavor and aroma of the coffee beans.
- Only grind the amount of coffee required.
- Do not overfill the coffee bean container. As an indication, calculate a tablespoon of coffee beans per cup (e.g. 4 spoonfuls of coffee beans for 4 cups of coffee). The ideal amount depends on individual taste and will be discovered through the use of the machine.
- For models with indicators lights showing the degree of grinding, remember that: COARSE grinding is ideal for percolators; MEDIUM is ideal for mocha coffeepots and drip coffee makers; FINE is ideal for espresso coffee makers.
- To ensure that you always have the best quality in terms of freshness, always clean the appliance after each use, especially if coffee is ground after grinding other products (e.g. spices). However it is inadvisable to grind oily beans (e.g. peanuts) or products that are too hard (e.g. rice).

# CLEANING

---



***Danger of electric shock!*** Before performing any cleaning operations, the machine must be turned off and disconnected from the power outlet. Never immerse the appliance in water.

- Unplug from the outlet.
- Wash the cover with water and mild soap. Then thoroughly rinse and dry.
- To clean easily, remove the coffee bean container completely by turning it and unscrewing it clockwise until it is released, then lift it off (fig. 7).
- Remove the coffee grounds residues with the provided brush (fig. 8). Never immerse the coffee bean container in water to avoid damages.
- To replace the coffee bean container, rotate counterclockwise until it locks in position.
- Clean the outside of the appliance with a soft cloth.
- When you store after use of the appliance, wind the cable on the cable winder (**D**).

This warranty applies to all products with De'Longhi or Kenwood brand names.

## LIMITED WARRANTY

---

### **What does the warranty cover?**

We warrant each appliance to be free from defects in material and workmanship. Our obligation under this warranty is limited to repair at our factory or authorized service center of any defective parts or part thereof, other than parts damaged in transit. In the event of a products replacement or return, the unit must be returned transportation prepaid. The repaired or new model will be returned at the company's expense.

This warranty shall apply only if the appliance is used in accordance with the factory directions, which accompany it, and on an Alternating current ( AC ) circuit.

### **How long does the coverage last?**

This warranty runs for one year ( 1 ) from the purchase date found on your receipt and applies only to the original purchaser for use.

### **What is not covered by the warranty?**

The warranty does not cover defects or damage of the appliance, which result from repairs or alterations to the appliance outside our factory or authorized service centers, nor shall it apply to any appliance, which has been subject to abuse, misuse, negligence or accidents. Also, consequential and incidental damage resulting from the use of this product or arising out of any breach of contract or breach of this warranty are not recoverable under this warranty. Some states do not allow the exclusion or limitation of incidental or consequential damage, so the above limitation may not apply to you.

### **How do you get service?**

If repairs become necessary, see contact information below:

U.S. Residents: Please contact our toll free hotline at 1-800-322-3848 or log onto our website at [www.delonghiusa.com](http://www.delonghiusa.com). For all accessories, spare parts or replacement parts, please contact our parts division at 1-800-865-6330.

Residents of Canada: Please contact our toll free hotline at 1-888-335-6644 or log onto our website at [www.delonghi.com](http://www.delonghi.com).

Residents of Mexico: Please refer to the Limited Warranty statement for Mexico.

Please refer to the back page of the manual for De'Longhi addresses.

The above warranty is in lieu of all other express warranties and representations. All implied warranties are limited to the applicable warranty period set forth above. This limitation does not apply if you enter into an extended warranty with De'Longhi. Some states do not allow limitations on how long an implied warranty lasts, so the above exclusions may not apply to you. De'Longhi does not authorize any other person or company to assume for it any liability in connection with the sale or use of its appliance.

### **How does state law apply?**

This warranty gives you specific legal rights, and you may also have other rights, which vary from state to state.