

# ICF-C450

## SERVICE MANUAL

*US Model  
AEP Model*

This set is the almost same as ICF-C350.  
Refer to ICF-C350 Service Manual previously issued  
for the information of this set.  
The following parts and the exploded view on  
next page differ from those in ICF-C350.

### DIFFERENCE PARTS

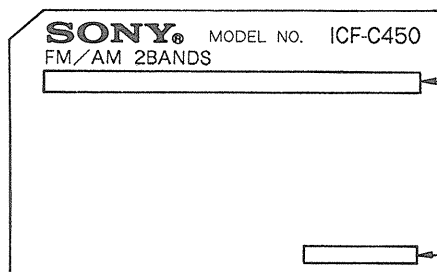
—Accessory & Packing Material—

- Items marked "★" are not stocked since they are seldom required for routine service. Some delay should be anticipated when ordering these items.

Part No.	Description
3-750-243-21	(US) ... MANUAL, INSTRUCTION (ENGLISH, FRENCH)
3-750-495-01	(IT) ... MANUAL, INSTRUCTION (ENGLISH, ITALIAN)
3-750-495-31	(AEP) ... MANUAL, INSTRUCTION (ENGLISH, GERMAN, FRENCH)
*3-901-550-01	(US) ..... INDIVIDUAL CARTON
*3-901-553-01	(AEP, IT) ..... INDIVIDUAL CARTON
*3-901-565-01	CUSHION (LEFT)
*3-901-566-01	CUSHION (RIGHT)

### MODEL IDENTIFICATIONS

—Model Number Label—



US model : AC : 120V 60Hz 5W  
AEP, IT model : AC : 220V~50Hz 5W

AEP model : 3-902-049-01  
IT model : 3-902-073-01

FM/AM DIGITAL CLOCK RADIO  
**SONY**<sup>®</sup>

**REVISED**

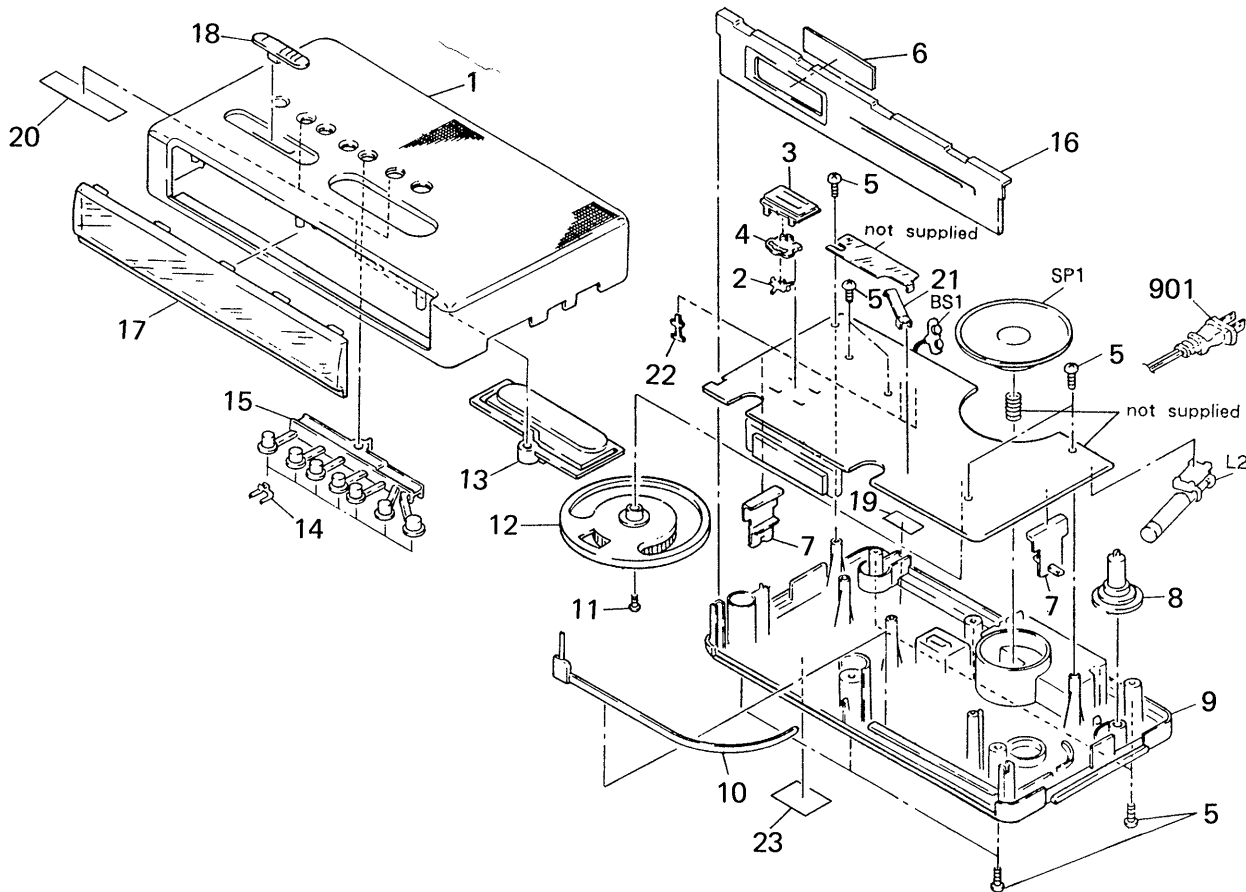
**EXPLODED VIEW**

**NOTE:**

- The mechanical parts with no reference number in the exploded views are not supplied.
- The construction parts of an assembled part are indicated with a collation number in the remark column.
- Items marked "★" are not stocked since they are seldom required for routine service. Some delay should be anticipated when ordering these items.

- Due to standardization, parts with part number suffix -XX and -X may be different from the parts specified in the components used on the set.
- Color Indication of Appearance Parts Example:  
(RED) ... KNOB, BALANCE (WHITE)  
↑ Cabinet's Color      ↑ Parts Color

The components identified by mark **▲** or dotted line with mark **▲** are critical for safety. Replace only with part number specified.



No.	Part No.	Description
1	3-901-722-21 (BRN)...CABINET (UPPER) 3-901-722-31 (WHT)...CABINET (UPPER) 3-901-722-41 (BLK)...CABINET (UPPER)	
2	3-986-304-01	PLATE (FUNCTION), CONTACT (S101)
3	*3-986-306-01	HOLDER (FUNCTION)
4	*3-986-305-01	SLIDER (FUNCTION)
5	7-685-648-79	SCREW +P 3X12 TYPE2 NON-SLIT
6	3-901-749-01	FILTER
7	3-901-710-01 (WHT) ... KNOB (BAND, BRIGHT) 3-901-710-11 (BLK) ... KNOB (BAND, BRIGHT) 3-901-710-61 (BRN) ... KNOB (BAND, BRIGHT)	
8	*3-901-702-01 (WHT) ... KNOB (VOL) *3-901-702-11 (BLK) ... KNOB (VOL) *3-901-702-61 (BRN) ... KNOB (VOL)	
9	*3-901-724-51 (BRN)...CABINET (LOWER) *3-901-724-61 (WHT)...CABINET (LOWER) *3-901-724-71 (BLK)...CABINET (LOWER)	
10	*3-901-707-01	POINTER
11	7-621-770-67	SCREW +P 2.6X6
12	*3-901-709-01 (WHT) ... KNOB (TUNING) *3-901-709-11 (BLK) ... KNOB (TUNING) *3-901-709-61 (BRN) ... KNOB (TUNING)	
13	3-901-713-01 (WHT) ... BUTTON (DREAM BAR) 3-901-713-11 (BLK) ... BUTTON (DREAM BAR) 3-901-713-61 (BRN) ... BUTTON (DREAM BAR)	

No.	Part No.	Description	Remarks
14	3-901-703-01	PLATE, CONTACT (S102-S107,S109)	
15	3-901-712-01 (WHT) ... BUTTON (MAIN) 3-901-712-11 (BLK) ... BUTTON (MAIN) 3-901-712-61 (BRN) ... BUTTON (MAIN)		
16	*3-901-706-21 (US).....PANEL, BACK *3-901-706-41 (AEP,IT)...PANEL, BACK		
17	3-901-720-01	PLATE, TRANSPARENT	
18	3-901-711-01 (WHT) ... KNOB (FUNCTION) 3-901-711-11 (BLK) ... KNOB (FUNCTION) 3-901-711-61 (BRN) ... KNOB (FUNCTION)		
19	3-831-441-XX	CUSHION, STOPPER (t=0.5)	
20	3-831-441-11	CUSHION (t=0.5)	
21	*3-888-208-11	PLATE, CONTACT (S108)	
22	*3-893-625-01	(AEP,IT)...TERMINAL	
23	*3-902-049-01 (AEP)...LABEL, MODEL NUMBER *3-902-073-01 (IT)....LABEL, MODEL NUMBER		
901	▲1-555-795-00 (AEP,IT)...CORD, POWER ▲1-558-566-21 (US).....CORD, POWER		
BS1	1-535-253-00	SNAP, BATTERY	
L2	1-402-405-11 (AEP,IT)...ANTENNA, FERRITE-ROD 1-402-413-21 (US).....ANTENNA, FERRITE-ROD		
SP1	1-503-940-21	SPEAKER	

**Sony Corporation**

**Audio Group**

9-953-949-11

(Including 9-953-949-91)

English  
89G0275-1  
Printed in Japan  
© 1989.7

Published by A/V Engineering Service Dept.