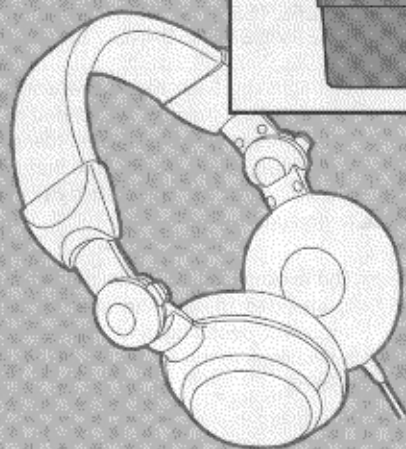
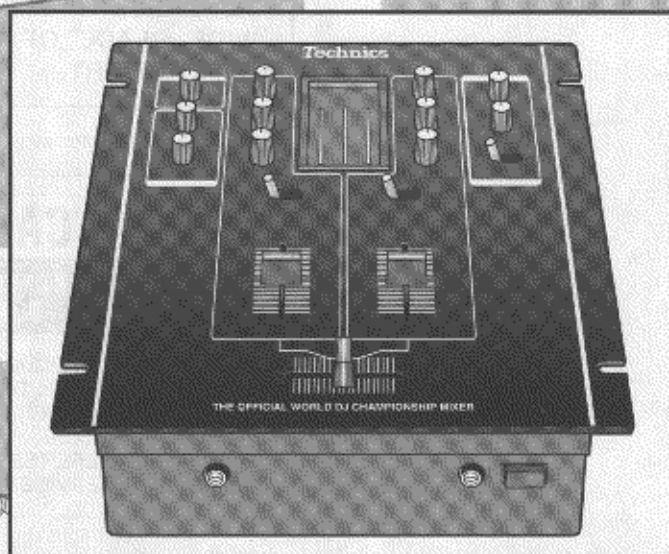
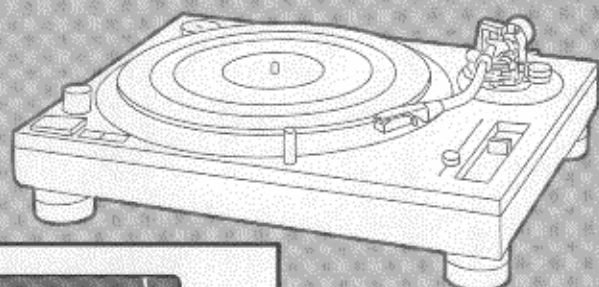
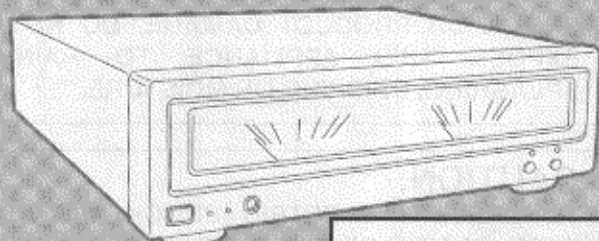


Technics®

Audio Mixer SH-DJ1200

Operating Instructions



THE OFFICIAL WORLD DJ CHAMPIONSHIP MIXER

Dear Customer

Thank you for purchasing this audio mixer.
For optimum performance and safety, please read these operating instructions carefully.

Before connecting operating or adjusting this product, please read these operating instructions carefully. Please save this manual.

Contents

Precautions	3
Features	4
Supplied Accessories	4
Connections	5
Names of the Parts	8
Block Diagram	10
Technical Specifications	11
Troubleshooting Guide	12
Maintenance	12
Product Service	12

The model number and serial number of this product can be found on either the back or the bottom of the unit. Please note them in the space provided below and keep for future reference.

MODEL NUMBER _____ SH-DJ1200 _____
SERIAL NUMBER _____



User memo:


DATE OF PURCHASE _____
DEALER NAME _____
DEALER ADDRESS _____
TELEPHONE NUMBER _____


WARNING:
TO REDUCE THE RISK OF FIRE, ELECTRIC SHOCK OR PRODUCT DAMAGE, DO NOT EXPOSE THIS APPLIANCE TO RAIN, SPLASHING, DRIPPING OR MOISTURE.

CAUTION:
TO PREVENT ELECTRIC SHOCK MATCH WIDE BLADE OF PLUG TO WIDE SLOT, FULLY INSERT.

•The following mark and symbols are located on bottom of the unit.

	CAUTION RISK OF ELECTRIC SHOCK DO NOT OPEN	
<p>CAUTION: TO REDUCE THE RISK OF ELECTRIC SHOCK, DO NOT REMOVE SCREWS. NO USER-SERVICEABLE PARTS INSIDE. REFER SERVICING TO QUALIFIED SERVICE PERSONNEL.</p>		

 The lightning flash with arrowhead symbol, within an equilateral triangle, is intended to alert the user to the presence of uninsulated "dangerous voltage" within the product's enclosure that may be of sufficient magnitude to constitute a risk of electric shock to persons.

 The exclamation point within an equilateral triangle is intended to alert the user to the presence of important operating and maintenance (servicing) instructions in the literature accompanying the appliance.

Precautions

Before using this unit please read these operating instructions carefully. Take special care to follow the warnings indicated on the unit itself as well as the safety suggestions listed below. Afterwards keep them handy for future reference.

Safety

- 1. Power Source**—The unit should be connected to power supply only of the type described in the operating instructions or as marked on the unit.
- 2. Polarization**—If the unit is equipped with a polarized AC power plug (a plug having one blade wider than the other), that plug will fit into the AC outlet only one way. This is a safety feature. If you are unable to insert the plug fully into the outlet, try reversing the plug. If the plug should still fail to fit, contact your electrician to replace your obsolete outlet. Do not defeat the safety purpose of the polarized plug.
- 3. Power Cord Protection**—AC power supply cords should be routed so that they are not likely to be walked on or pinched by items placed upon or against them. Never take hold of the plug or cord if your hand is wet, and always grasp the plug body when connecting or disconnecting it.
- 4. Nonuse Periods**—When the unit is not used, turn the power off. When left unused for a long period of time, the unit should be unplugged from the household AC outlet.

Installation

Environment

- 1. Water and Moisture**—Do not use this unit near water—for example, near a bathtub, washbowl, swimming pool, or the like. Damp basements should also be avoided.
- 2. Heat**—The unit should be situated away from heat sources such as radiators and the like. It also should not be placed in temperatures less than 5°C (41°F) or greater than 35°C (95°F).

Placement

- 1. Ventilation**—The unit should be situated so that its location or position does not interfere with its proper ventilation. Allow 10 cm (4") clearance from the rear of the unit.
- 2. Foreign Material**—Care should be taken so that objects do not fall into and liquids are not spilled into the unit. Do not subject this unit to excessive smoke, dust, mechanical vibration, or shock.
- 3. Magnetism**—The unit should be situated away from equipment or devices that generate strong magnetic fields.
- 4. Stacking**—Do not place heavy objects, other than system components, on top of the unit.
- 5. Surface**—Place the unit on a flat, level surface.
- 6. Carts and Stands**—The unit should be used only with a cart or stand that is recommended by the manufacturer. The unit and cart combination should be moved with care. Quick stops, excessive force, and uneven surfaces may cause the unit and cart combination to overturn.
- 7. Wall or Ceiling Mounting**—The unit should not be mounted to a wall or ceiling, unless specified in this operating instructions.



Maintenance

Clean the cabinet, panel and controls with a soft cloth lightly moistened with mild detergent solution. Do not use any type of abrasive pad, scouring powder or solvent such as alcohol or benzene.

Service

- 1. Damage Requiring Service**—The unit should be serviced by qualified service personnel when:
 - (a) The AC power supply cord or the plug has been damaged; or
 - (b) Objects have fallen or liquid has been spilled into the unit; or
 - (c) The unit has been exposed to rain; or
 - (d) The unit does not appear to operate normally or exhibits a marked change in performance; or
 - (e) The unit has been dropped, or the enclosure damaged.
- 2. Servicing**—The user should not attempt to service the unit beyond that described in the operating instructions. All other servicing should be referred to an authorized service personnel. (Only for U.S.A.)
Call 1-800-545-2672 for the address of an authorized factory servicer.

Listening caution



Selecting fine audio equipment such as the unit you've just purchased is only the start of your musical enjoyment. Now it's time to consider how you can maximize the fun and excitement your equipment offers. This manufacturer and the Electronic Industries Association's Consumer Electronics Group want you to get the most out of your equipment by playing it at a safe level. One that lets the sound come through loud and clear without annoying blaring or distortion—and, most importantly, without affecting your sensitive hearing.

We recommend you to avoid prolonged exposure to excessive noise.

Sound can be deceiving. Over time your hearing "comfort level" adapts to higher volumes of sound. So what sounds "normal" can actually be loud and harmful to your hearing.

Guard against this by setting your equipment at a safe level BEFORE your hearing adapts.

To establish a safe level:

- Start your volume control at a low setting.
- Slowly increase the sound until you can hear it comfortably and clearly, and without distortion.

Once you have established a comfortable sound level:

- Set the dial and leave it there.

Taking a minute to do this now will help to prevent hearing damage or loss in the future. After all, we want you listening for a lifetime.

Features

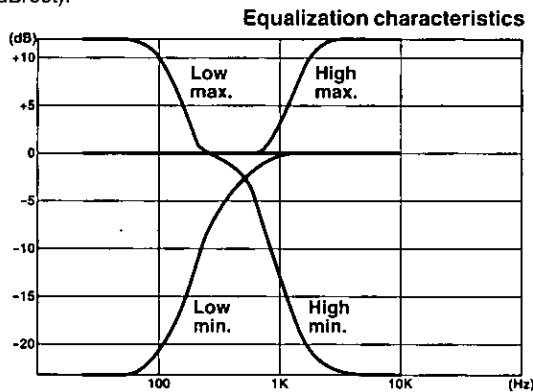
This model is the official audio mixer for the DMC-sponsored World DJ Championship to be held each year in 1997 and beyond. The event will bring together professional disc jockeys from all over the world to compete for top honors. It is a top-of-the-line audio mixer with the kind of outstanding design, functions and sound quality that suits the requirements of disc jockeys accustomed to giving scratch-mixing performances in a variety of different ways.

Operating ease

- This audio mixer is designed with the same height as that of the SL-1200MK2 for operating ease.
- By providing adequate space in the panel layout around the channel faders and cross fader and by eliminating the protruding parts, full rein can be given to individual technique which exactly reflects the mood of the moment even when it comes to high-powered scratch-mixing.

Functions

- The model comes with both high and low equalizers so that all manner of sound sources can be accommodated to generate a highly creative style of sound. A wide margin of creativity in producing sound is provided since the attenuation is set to a high -24 dB (12 dB/oct).



- The model is equipped with TRIM controls (± 10 dB) which compensate for differences in the source level.
- By adding a pre-fader monitor, the channels selected by the CUE controls can be monitored regardless of the positions of the faders. It is also possible to mix and monitor the line-out sources.
- The model comes with line-out connectors for monitoring so that sound can be monitored not only with headphones but through the speakers inside the booth.
- The line-out source L and R levels as well as the monitor source levels can be checked out on the 12-point, 3-column level meter.
- An AUX IN connector is provided to enable a sampler, keyboard, etc. to become part of the disc jockey scene.

Construction and materials

- New 45 mm stroke faders with an excellent durability and smooth operating touch have been developed for this model. The service life of the channel faders and cross fader has been improved by a quantum leap (an approximately 10-fold increase over existing models; nominal service life: 100,000 operations).
- A spare channel fader and a spare cross fader have been provided on the back panel just in case, and the faders themselves are designed to enable easy replacement.
- Lever switches are employed for the input selector controls (LINE, PHONO) and, by providing adequate space around them, they can also be used for operations involving the transformer scratch function.
- The panels are made of aluminum, and the surfaces have a glossy finish with a tough black coating which makes it hard for the markings to be worn away.

What is DMC?

DMC is the world's largest disc jockey organization whose members include the world's top disc jockeys, musicians and producers. Its objective is to contribute to improvements in the creation of music by its members. With main offices in England (London) and the United States (New York), it has branches in 32 countries throughout the world. Through its many activities which include the publication of "MIX MAG", the world's best-selling dance music trade magazine, DMC has sponsored the World DJ Championship for the last ten years with the support of Technics. At this venue which is held in London's Albert Hall or Wembley Stadium, the disc jockeys from 32 nations around the globe who have won top honors in the championships held in their respective countries put on their most impressive shows and compete to determine who will be crowned as world champion.

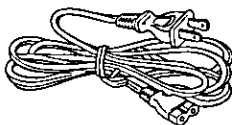
Supplied Accessories



Please check and identify the supplied accessories.

AC power cord 1 pc.
(SJA175-A)

Sticker 1 pc.
(RFE0032)



Technics

Use numbers indicated in parentheses when asking for replacement parts.
(Only for U.S.A.) To order accessories call MSC Accessory Dept. 1-800-332-5368.

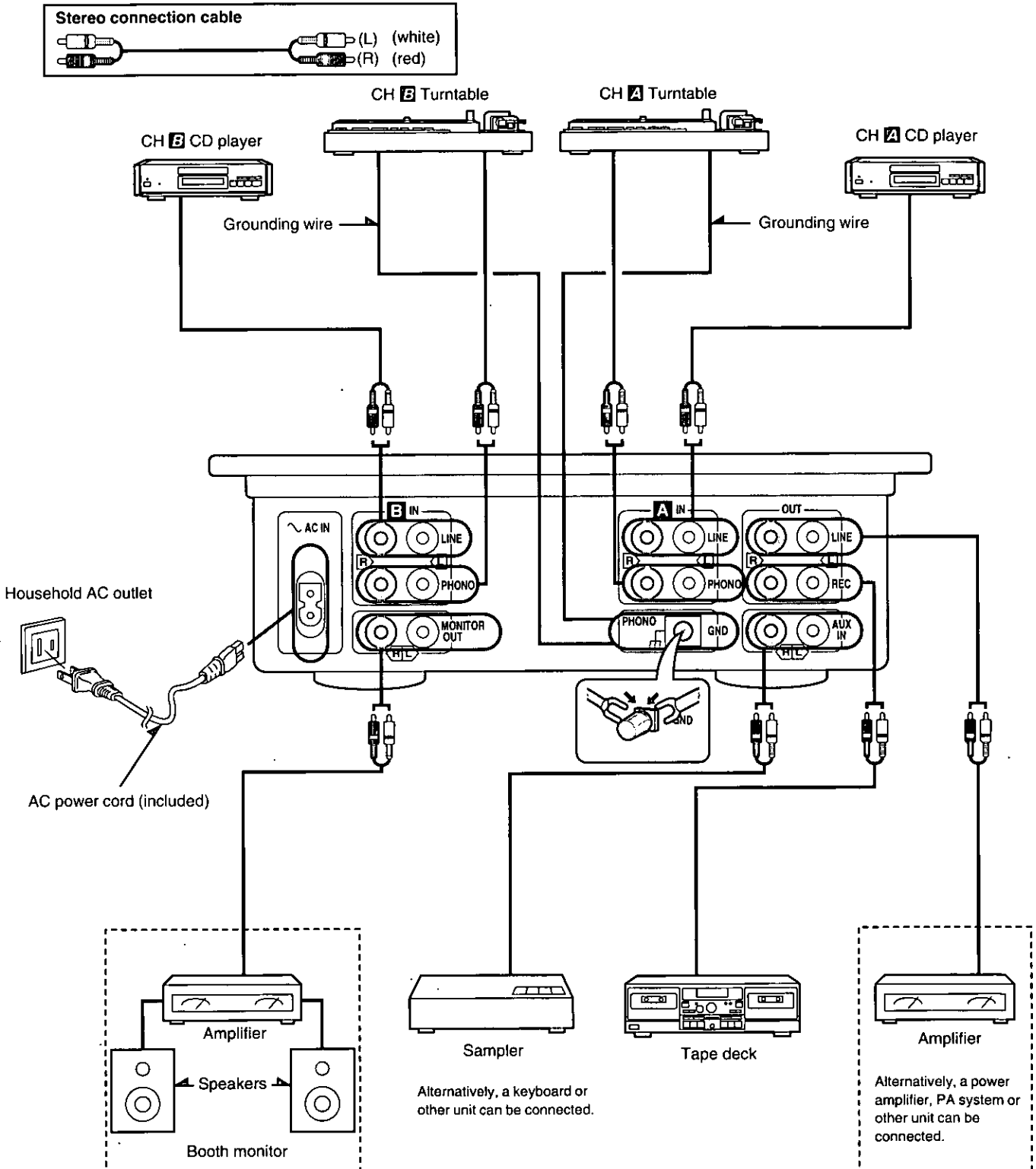
Connections

Rear panel connections

This model is connected with the other equipment using stereo connection cables (not included). Before proceeding with the connections, make absolutely sure that the power is turned off to the units concerned.
Connect the power cord after all the other connections have been completed.

For your reference:

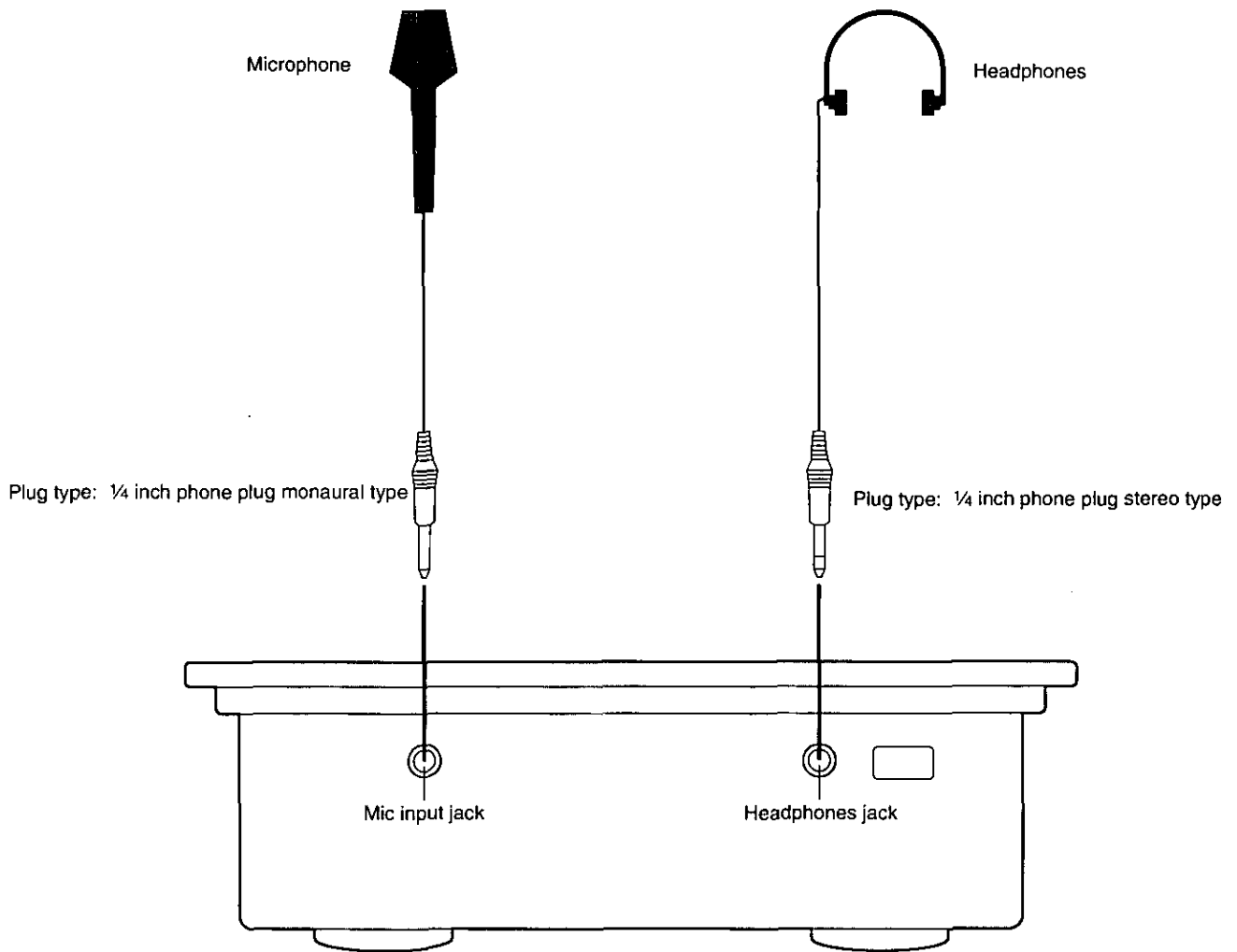
The grounding wire need not be connected if the turntable does not have a GND terminal.



Front panel connections

To listen with the headphones:

- Before connecting the headphones, be absolutely sure to turn down the volume setting using the monitor volume level control, etc.
- Avoid listening for prolonged periods of time to prevent hearing damage.

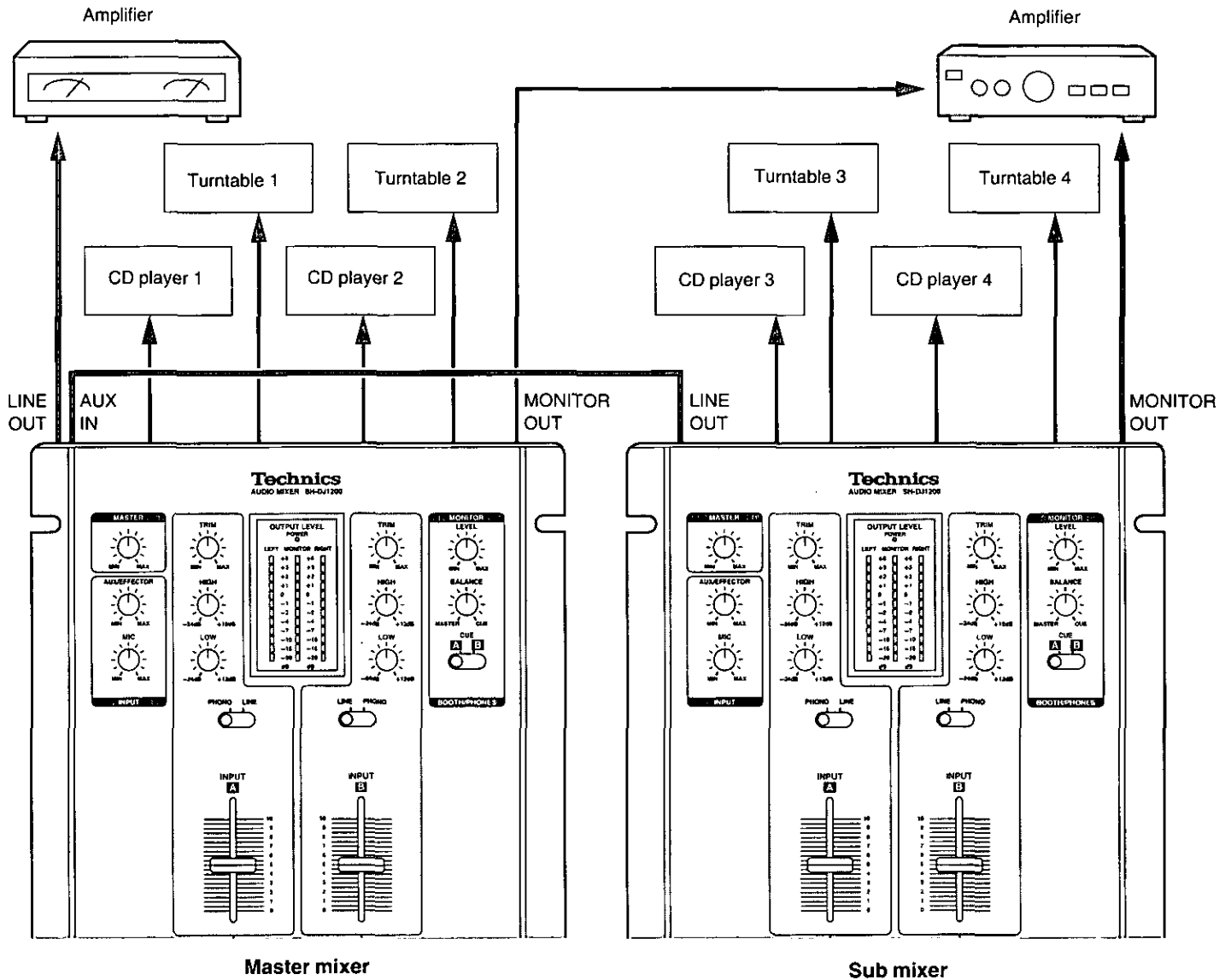


Connecting two audio mixers side by side

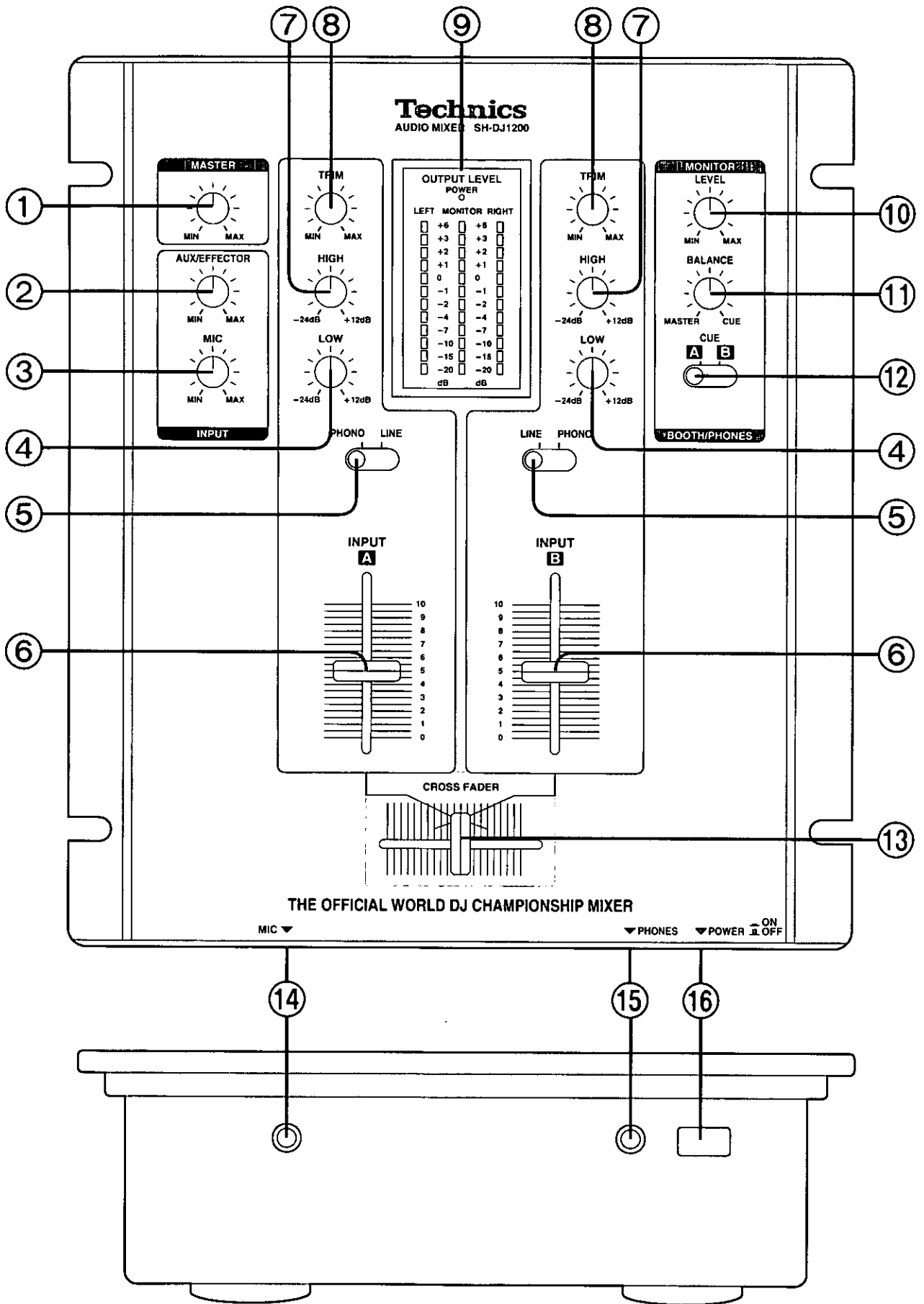
Connect the LINE OUT connector of the sub mixer to the AUX IN connector on the master mixer.

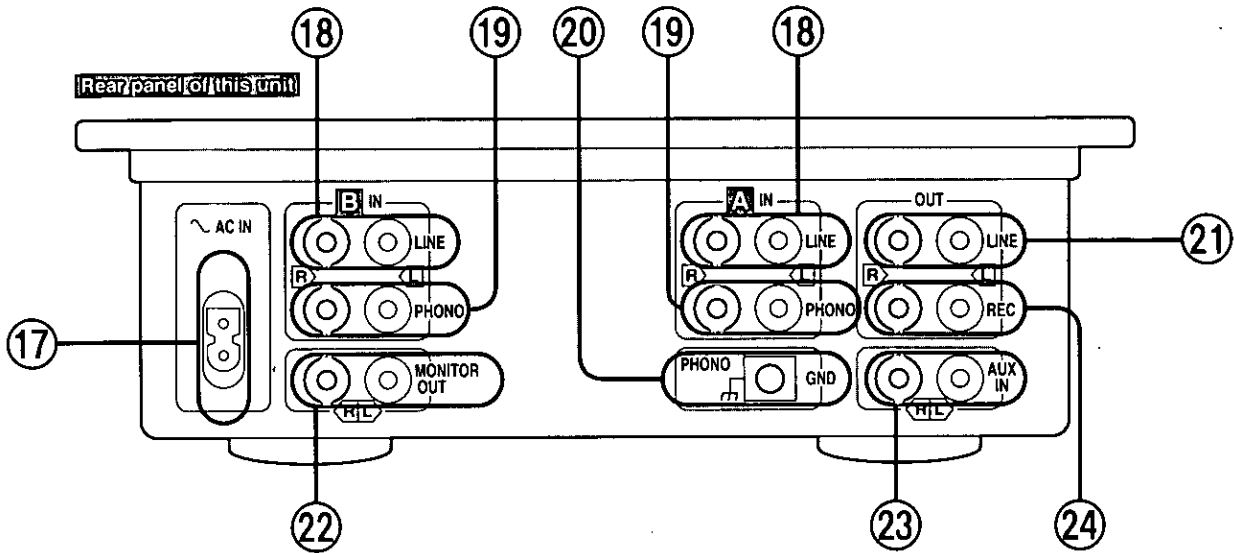
How to align the volume levels of the master and sub mixers:

Adjust the AUX/EFFECTOR volume level of the master mixer and master volume level of the sub mixer in such a way that the levels of the two models are identical.



Names of the Parts

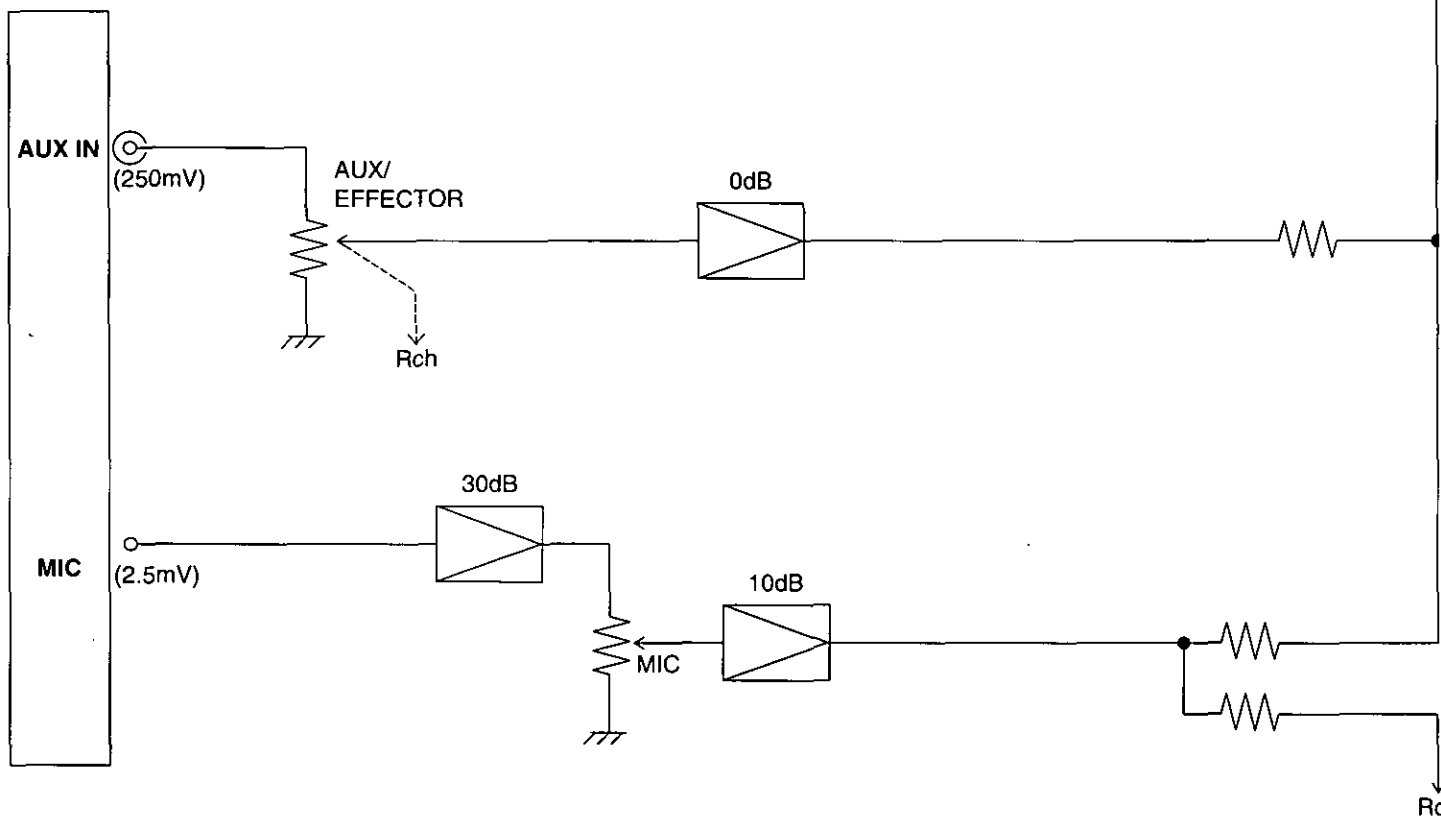
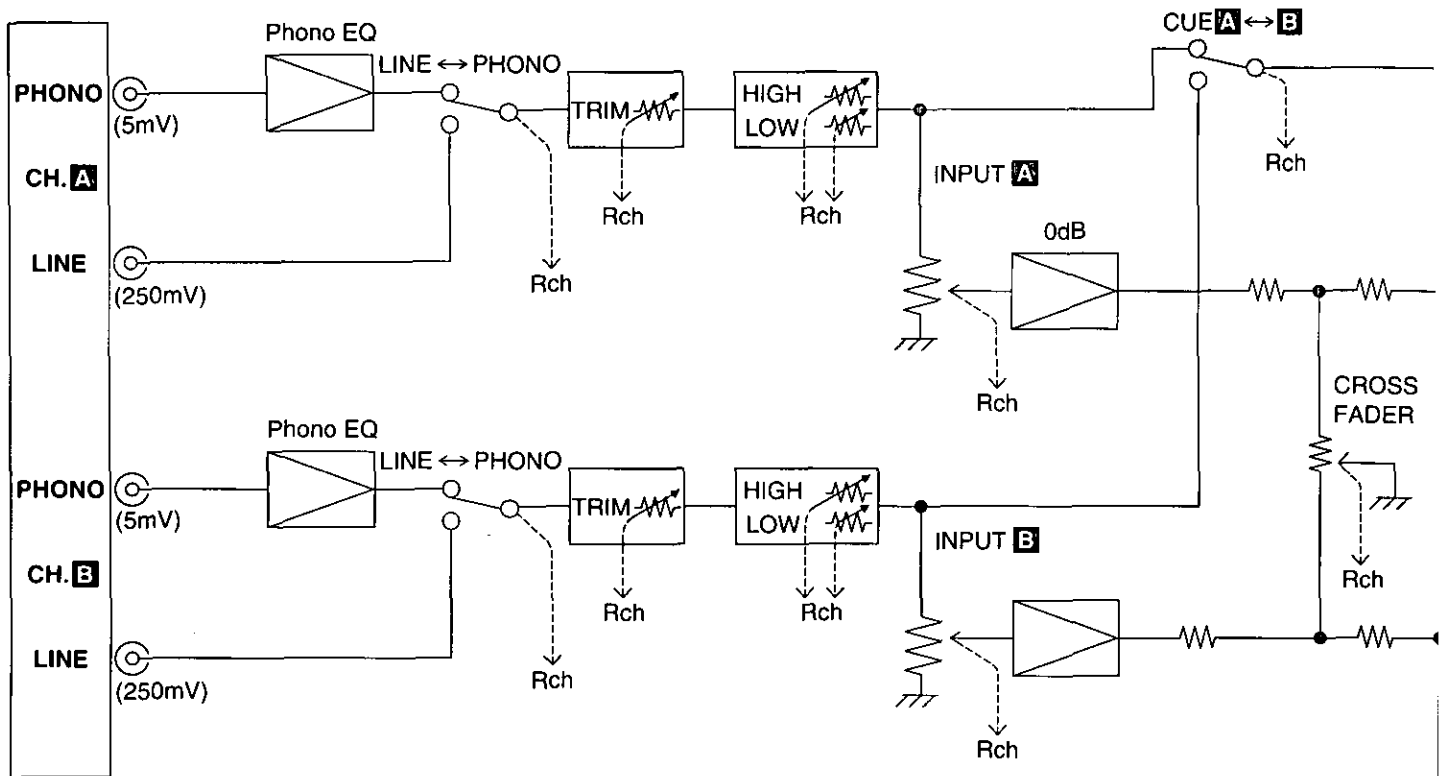


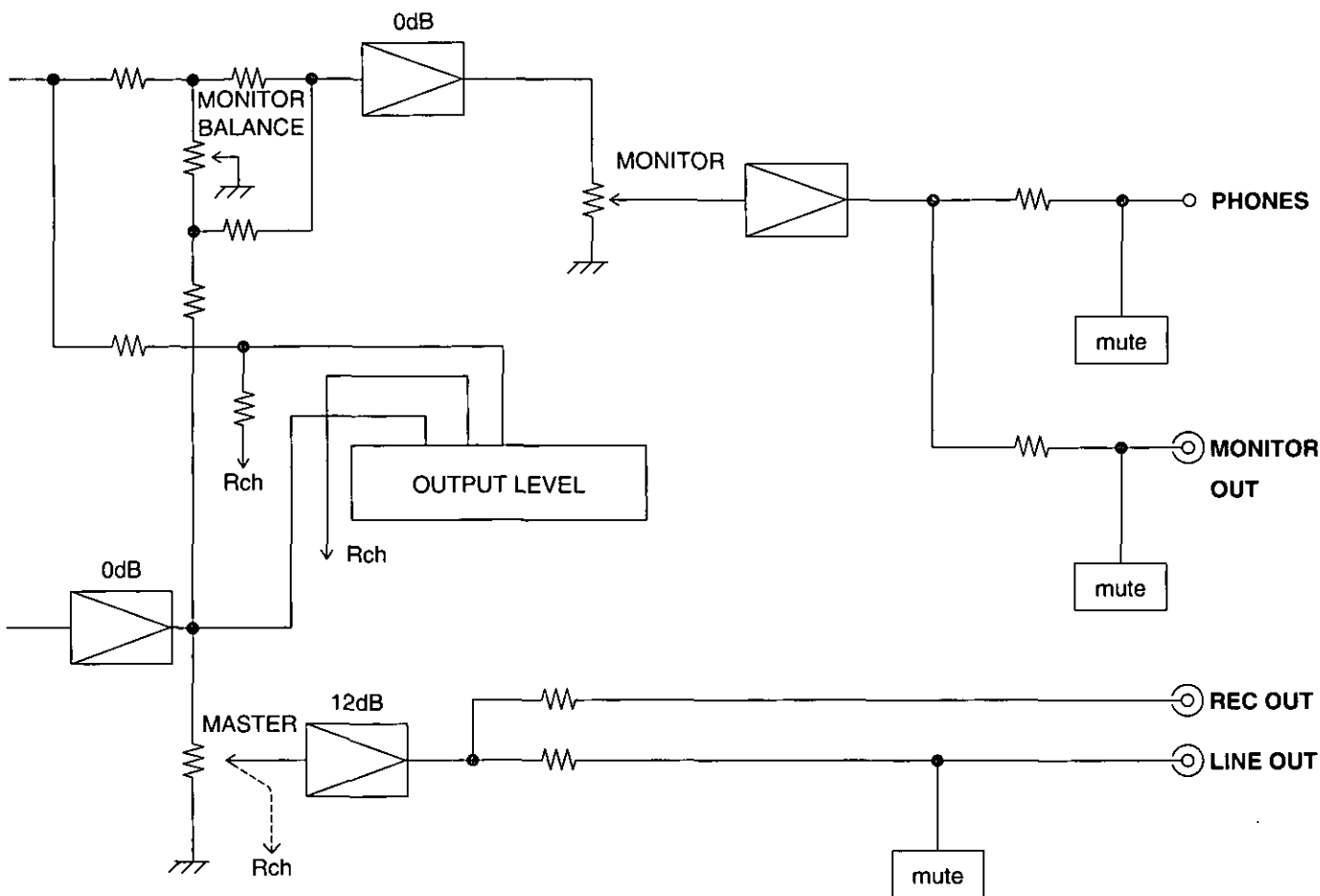


No.	Name
①	Master volume level control (MASTER)
②	AUX/EFFECTOR volume level control (AUX/EFFECTOR)
③	Mic volume level control (MIC)
④	CH A (B) low-range level control (LOW)
⑤	CH A (B) input selector (LINE, PHONO)
⑥	INPUT A (B) control
⑦	CH A (B) high-range level control (HIGH)
⑧	CH A (B) input sensitivity control (TRIM)
⑨	OUTPUT LEVEL meter This indicates the LINE OUT (L and R channels) and MONITOR OUT output levels.
⑩	Monitor volume level control (MONITOR LEVEL)
⑪	Monitor balance control (MONITOR BALANCE) This adjusts the balance between the LINE OUT source and source selected by the CUE switch.
⑫	Headphones monitor selector (CUE) This selects the source to be monitored regardless of the positions of the faders.

No.	Name
⑬	CROSS FADER control This enables the balance between the CH A and CH B input levels to be adjusted.
⑭	Mic input jack (MIC)
⑮	Headphones jack (PHONES)
⑯	Power button (POWER ON/OFF)
⑰	Power input socket (~AC IN)
⑱	CH A (B) LINE IN connector
⑲	CH A (B) PHONO IN connector
⑳	PHONO GND terminal The grounding wire of the turntable must be secured to the ground terminal in order to prevent hum and noise.
㉑	LINE OUT connector
㉒	MONITOR OUT connector
㉓	AUX IN connector
㉔	REC OUT connector

Block Diagram





Technical Specifications

■ Input sensitivity/input impedance

PHONO	1.5 to 15 mV/47 kΩ
LINE	100 to 1000 mV/more than 10 kΩ
AUX/EFFECTOR	150 mV/47 kΩ
MIC	0.7 mV/1 kΩ

■ Rated output voltage

LINE	1 V/600Ω
MONITOR	2 V/2.2 kΩ
PHONES	1.5 V/100Ω (Load 100Ω)
REC	1 V/2.2 kΩ

■ Maximum output voltage (10 kΩ load excluding headphones)

LINE	8 V
MONITOR	8 V (headphones open)
PHONES	1.5 V (Load 100Ω)
REC	8 V

■ Applicable load impedance

LINE	More than 600Ω
MONITOR	More than 10 kΩ
PHONES	More than 47Ω
REC	More than 10 kΩ

■ Residual hum and noise

Less than 0.2 mV

■ Frequency response

PHONO	30 Hz to 15 kHz (RIAA ±1 dB)
LINE	10 Hz to 70 kHz (-3 dB)
AUX/EFFECTOR	10 Hz to 100 kHz (-3 dB)
MIC	100 Hz to 15 kHz (-3 dB)

■ Tone control characteristics

	12 dB/oct
LOW	+12 dB, -24 dB (63 Hz)
HIGH	+12 dB, -24 dB (10 kHz)

■ General

Power supply	AC 120 V, 60 Hz
Power consumption	15 W
Dimensions (W×H×D)	260×102×305 mm (10 ¹⁵ / ₆₄ "×4 ¹ / ₆₄ "×12 ¹ / ₆₄ ")
Weight	3.4 kg (7.5 lb.)

Note:

Specifications are subject to change without notice.
Weight and dimensions are approximate.

Troubleshooting Guide

Before requesting service for this unit, check the chart below for a possible cause of the problem you are experiencing. Some simple checks or a minor adjustment on your part may eliminate the problem and restore proper operation.

If you are in doubt about some of the check points, or if the remedies indicated in the chart do not solve the problem, refer to the directory of Authorized Service Centers (enclosed with this unit) to locate a convenient service center, or consult your dealer for instructions.

(In U.S.A. consult MSC Authorized Servicenters for detailed instructions or call 1-800-545-2672 for the address of an authorized factory servicenter.)

Symptom	Checkpoint	Remedial action
No power.	Has the power plug been disconnected?	Connect the power plug securely.
No sound even when power is supplied.	Has the input selector control been set to another source?	Check the source and set the control to the proper position.
	Have any of the units been wrongly connected?	Connect the units properly.
	Is the master level control or another volume level control at the MIN position?	Adjust the volume level controls correctly.
Left and right sound is reversed.	Have any of the units been connected with the left and right channels reversed?	Connect the channels correctly.
Low hum or buzz is heard during play.	Is there a fluorescent light or other electrical appliance or its power cord near any of the connecting cords?	Place the fluorescent light, other appliances or their power cords as far away from the audio mixer as possible.
	Has the turntable's grounding wire been disconnected?	Connect the grounding wire securely.
Fader (slide volume control) fails to move smoothly.	Is one of the faders worn?	Replace with a new fader. (Refer to the Slide Volume Replacement Instructions provided separately.)

Maintenance

Wipe the unit with a soft cloth. To remove stubborn dirt, wipe with cloth moistened with water or soapy water, and then remove the remaining moisture using a dry cloth.

- Do not use alcohol or paint thinners.
- When using a chemically treated cleaning cloth, refer to the instructions accompanying it.

Product Service

Do not attempt to remove the cover(s) or repair the unit yourself. Refer servicing to qualified personnel only.

The servicer will require all components to service your system. Therefore, should service ever be necessary, be sure to bring the entire system.

Product information

For product service, product information or assistance with product operation, refer to the servicenter directory.

Matsushita Consumer Electronics Company, Division of Matsushita Electric Corporation of America
One Panasonic Way Secaucus,
New Jersey 07094

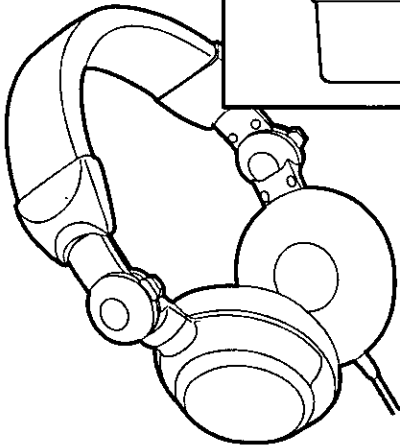
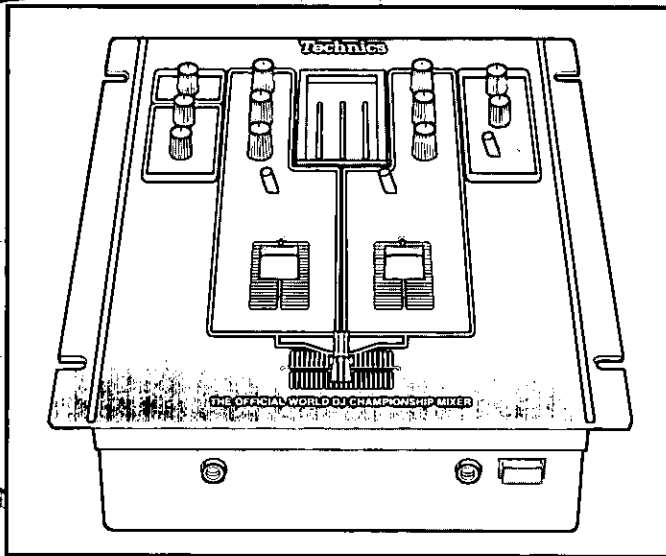
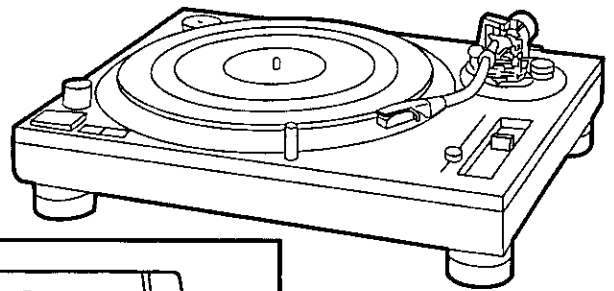
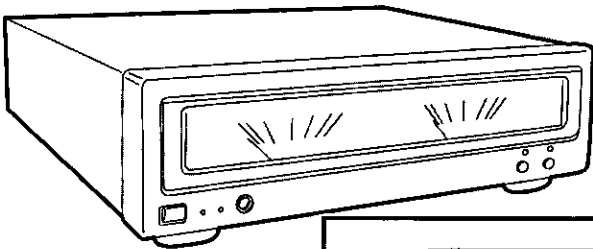
Panasonic Sales Company, Division of Matsushita Electric of Puerto Rico, Inc. ("PSC")
Ave. 65 de Infantería, Km. 9.5
San Gabriel Industrial Park, Carolina,
Puerto Rico 00985

Matsushita Electric of Canada Limited
5770 Ambler Drive,
Mississauga, Ontario
L4W 2T3

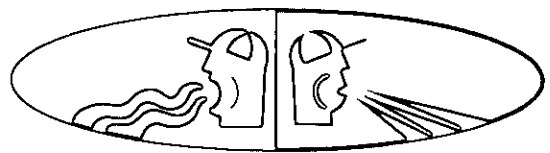
Technics®

Mélangeur audio SH-DJ1200

Manuel d'utilisation



W M C



THE OFFICIAL WORLD DJ CHAMPIONSHIP MIXER

Cher client

Nous vous remercions d'avoir arrêté votre choix sur cet appareil.
Pour en tirer un rendement optimal, lire attentivement le présent manuel.

Il est recommandé de lire attentivement le présent manuel avant d'utiliser l'appareil. Conserver ce manuel.

Table des matières

Précautions à prendre	3
Caractéristiques	4
Accessoires fournis	4
Connexions	5
Nomenclature des pièces	8
Schéma fonctionnel	10
Données techniques	11
Guide de dépannage	12
Entretien	12
Service après-vente	12

Il est recommandé de noter, dans l'espace prévu ci-dessous, le numéro de modèle et le numéro de série inscrits à l'arrière, ou sous le fond de l'appareil, et de conserver ce manuel pour référence ultérieure.

NUMÉRO DE MODÈLE SH-DJ1200

NUMÉRO DE SÉRIE _____

Homologation:

DATE D'ACHAT _____

DÉTAILLANT _____

ADRESSE DU DÉTAILLANT _____

N° DE TÉLÉPHONE _____

ATTENTION:

AFIN D'ÉVITER TOUT RISQUE D'INCENDIE, DE CHOCS ÉLECTRIQUES OU DE DOMMAGE À L'APPAREIL, NE PAS L'EXPOSER À LA PLUIE, AUX ÉCLABOUSSURES OU À L'HUMIDITÉ.

ATTENTION:

POUR ÉVITER LES CHOCS ÉLECTRIQUES, INTRODUIRE LA LAME LA PLUS LARGE DE LA FICHE DANS LA BORNE CORRESPONDANTE DE LA PRISE ET POUSSER JUSQU'AU FOND.

• Les indications et les symboles suivants se trouvent sous l'appareil.

	ATTENTION RISQUE DE CHOC ÉLECTRIQUE NE PAS OUVRIR	
ATTENTION: AFIN DE PRÉVENIR LE RISQUE DE CHOCS ÉLECTRIQUES, NE PAS RETIRER LES VIS. TOUTE RÉPARATION DEVRAIT ÊTRE CONFIEE À UN PERSONNEL QUALIFIÉ.		



Le symbole de l'éclair dans un triangle équilatéral indique la présence d'une tension suffisamment élevée pour engendrer un risque de chocs électriques.



Le point d'exclamation dans un triangle équilatéral indique que le manuel d'utilisation inclus avec l'appareil contient d'importantes recommandations quant au fonctionnement et à l'entretien de ce dernier.

Précautions à prendre

Avant d'utiliser l'appareil, lire attentivement le présent manuel. Porter une attention toute particulière aux avis inscrits sur l'appareil et aux instructions décrites ci-dessous.
Conserver ce manuel pour référence ultérieure.

Mesures de sécurité

- 1. Alimentation**—Ne brancher cet appareil que dans une prise de courant du type décrit dans le présent manuel ou tel qu'indiqué sur l'appareil.
- 2. Polarisation**—Si l'appareil est équipé d'une fiche polarisée (dont une lame est plus large que l'autre), cette dernière ne peut être branchée que dans un sens. Si la fiche ne peut être insérée dans la prise, en inverser le sens. Si la fiche ne peut toujours pas être branchée, communiquer avec un électricien pour faire changer la prise de courant. Ne pas tenter de contourner cette mesure de sécurité.
- 3. Protection du cordon d'alimentation**—Les cordons secteur doivent être placés de manière qu'ils ne soient pas piétinés ou écrasés par des objets. Ne jamais toucher à un cordon d'alimentation les mains mouillées et toujours tenir la fiche et non le cordon pour le brancher ou le débrancher.
- 4. Après usage**—Après usage, toujours couper le contact sur l'appareil. En cas de non utilisation prolongée, débrancher le cordon d'alimentation de la prise de courant.

Installation

Environnement

- 1. Eau et humidité**—Ne pas utiliser cet appareil dans un endroit où il risquerait d'être mouillé (près d'une baignoire, d'un lavabo, d'une piscine). Éviter également les endroits humides.
- 2. Chaleur**—Éloigner l'appareil de toute source de chaleur telle que radiateurs et autres éléments de chauffage.
Ne pas le placer dans un endroit où la température est inférieure à 5°C (41°F) ou supérieure à 35°C (95°F).

Emplacement

- 1. Aération**—Placer l'appareil dans un endroit où il n'existe aucun obstacle à sa ventilation. Laisser un jeu d'au moins 10 cm (4 po) entre toute surface et l'arrière de l'appareil.
- 2. Objets divers**—Éviter qu'un objet tombe dans l'appareil ou qu'un liquide y soit déversé. Protéger l'appareil contre la fumée, la poussière, les vibrations et les chocs.
- 3. Champ magnétique**—Éloigner l'appareil de toute source de champ magnétique.
- 4. Empilage**—Ne rien placer sur l'appareil sauf un autre composant de la chaîne.
- 5. Emplacement**—Mettre l'appareil sur une surface plane et de niveau.
- 6. Baies et supports**—Ne placer l'appareil que dans une baie ou sur un support recommandé par le fabricant. Au besoin, déplacer la baie ou le support avec le plus grand soin. Un arrêt brusque, l'application d'une force excessive ou le déplacement sur une surface inégale pourrait causer le renversement de la baie ou du support.
- 7. Installation murale ou au plafond**—À moins d'indication contraire, il n'est pas recommandé de fixer l'appareil à un mur ou au plafond.



Entretien

Nettoyer le coffret avec un linge doux humecté d'une solution savonneuse.
N'utiliser ni tampon, ni nettoyeur abrasif, ni solvant d'aucune sorte.

Service après-vente

- 1. En cas de dommage**—Confier l'appareil à un technicien qualifié dans les cas suivants:
 - (a) Lorsque le cordon d'alimentation ou sa fiche a été endommagé;
 - (b) Lorsqu'un objet est tombé dans l'appareil ou si ce dernier a été mouillé;
 - (c) Lorsque l'appareil a été exposé à la pluie;
 - (d) Lorsque l'appareil semble ne pas fonctionner normalement ou que son rendement laisse à désirer;
 - (e) Lorsque l'appareil a subi un choc violent ou que son coffret a été endommagé.
- 2. Réparation**—Ne faire aucun réglage ni ajustement autres que ceux décrits dans le présent manuel. Confier toute réparation à un centre de service Panasonic agréé.

Protection de l'ouïe



Choisir un appareil audio de qualité tel celui que vous venez d'acheter ne représente que le début de votre plaisir musical. En effet, de simples mesures peuvent vous permettre d'optimiser l'agrément que votre appareil peut vous offrir. Le fabricant de cet appareil et le Groupe des produits grand public de l'Association de l'industrie électronique désirent que vous tiriez un plaisir maximum en l'écoutant à un niveau sécuritaire qui, tout en assurant une reproduction claire et puissante sans distorsion, ne puisse affecter votre ouïe.

Il est recommandé d'éviter une écoute prolongée à volume élevé.

Le son peut être trompeur. Avec le temps, votre niveau de confort auditif s'adapte à des volumes plus élevés. Ainsi, un niveau qui semble normal peut en fait être trop élevé et être nuisible à l'oreille. Protégez-vous en réglant le volume à un niveau sécuritaire avant que votre oreille ne s'adapte à un volume trop élevé. Pour déterminer un niveau d'écoute sécuritaire:

- Régler le volume au minimum.
- Monter lentement le volume jusqu'au niveau d'écoute confortable avant qu'il n'y ait distorsion.

Après avoir identifié le niveau d'écoute confortable:

- Régler le volume et le laisser à ce niveau.

Les quelques secondes que vous demanderont ce réglage contribueront à prévenir tout dommage éventuel à l'ouïe.

Features

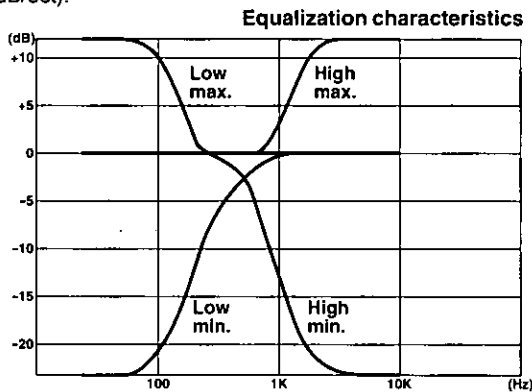
This model is the official audio mixer for the DMC-sponsored World DJ Championship to be held each year in 1997 and beyond. The event will bring together professional disc jockeys from all over the world to compete for top honors. It is a top-of-the-line audio mixer with the kind of outstanding design, functions and sound quality that suits the requirements of disc jockeys accustomed to giving scratch-mixing performances in a variety of different ways.

Operating ease

- This audio mixer is designed with the same height as that of the SL-1200MK2 for operating ease.
- By providing adequate space in the panel layout around the channel faders and cross fader and by eliminating the protruding parts, full rein can be given to individual technique which exactly reflects the mood of the moment even when it comes to high-powered scratch-mixing.

Functions

- The model comes with both high and low equalizers so that all manner of sound sources can be accommodated to generate a highly creative style of sound. A wide margin of creativity in producing sound is provided since the attenuation is set to a high -24 dB (12 dB/oct):



- The model is equipped with TRIM controls (± 10 dB) which compensate for differences in the source level.
- By adding a pre-fader monitor, the channels selected by the CUE controls can be monitored regardless of the positions of the faders. It is also possible to mix and monitor the line-out sources.
- The model comes with line-out connectors for monitoring so that sound can be monitored not only with headphones but through the speakers inside the booth.
- The line-out source L and R levels as well as the monitor source levels can be checked out on the 12-point, 3-column level meter.
- An AUX IN connector is provided to enable a sampler, keyboard, etc. to become part of the disc jockey scene.

Construction and materials

- New 45 mm stroke faders with an excellent durability and smooth operating touch have been developed for this model. The service life of the channel faders and cross fader has been improved by a quantum leap (an approximately 10-fold increase over existing models; nominal service life: 100,000 operations).
- A spare channel fader and a spare cross fader have been provided on the back panel just in case, and the faders themselves are designed to enable easy replacement.
- Lever switches are employed for the input selector controls (LINE, PHONO) and, by providing adequate space around them, they can also be used for operations involving the transformer scratch function.
- The panels are made of aluminum, and the surfaces have a glossy finish with a tough black coating which makes it hard for the markings to be worn away.

What is DMC?

DMC is the world's largest disc jockey organization whose members include the world's top disc jockeys, musicians and producers. Its objective is to contribute to improvements in the creation of music by its members. With main offices in England (London) and the United States (New York), it has branches in 32 countries throughout the world. Through its many activities which include the publication of "MIX MAG", the world's best-selling dance music trade magazine, DMC has sponsored the World DJ Championship for the last ten years with the support of Technics. At this venue which is held in London's Albert Hall or Wembley Stadium, the disc jockeys from 32 nations around the globe who have won top honors in the championships held in their respective countries put on their most impressive shows and compete to determine who will be crowned as world champion.

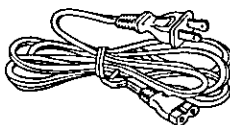
Supplied Accessories



Please check and identify the supplied accessories.

AC power cord 1 pc.
(SJA175-A)

Sticker 1 pc.
(RFE0032)



Technics

Use numbers indicated in parentheses when asking for replacement parts.
(Only for U.S.A.) To order accessories call MSC Accessory Dept. 1-800-332-5368.

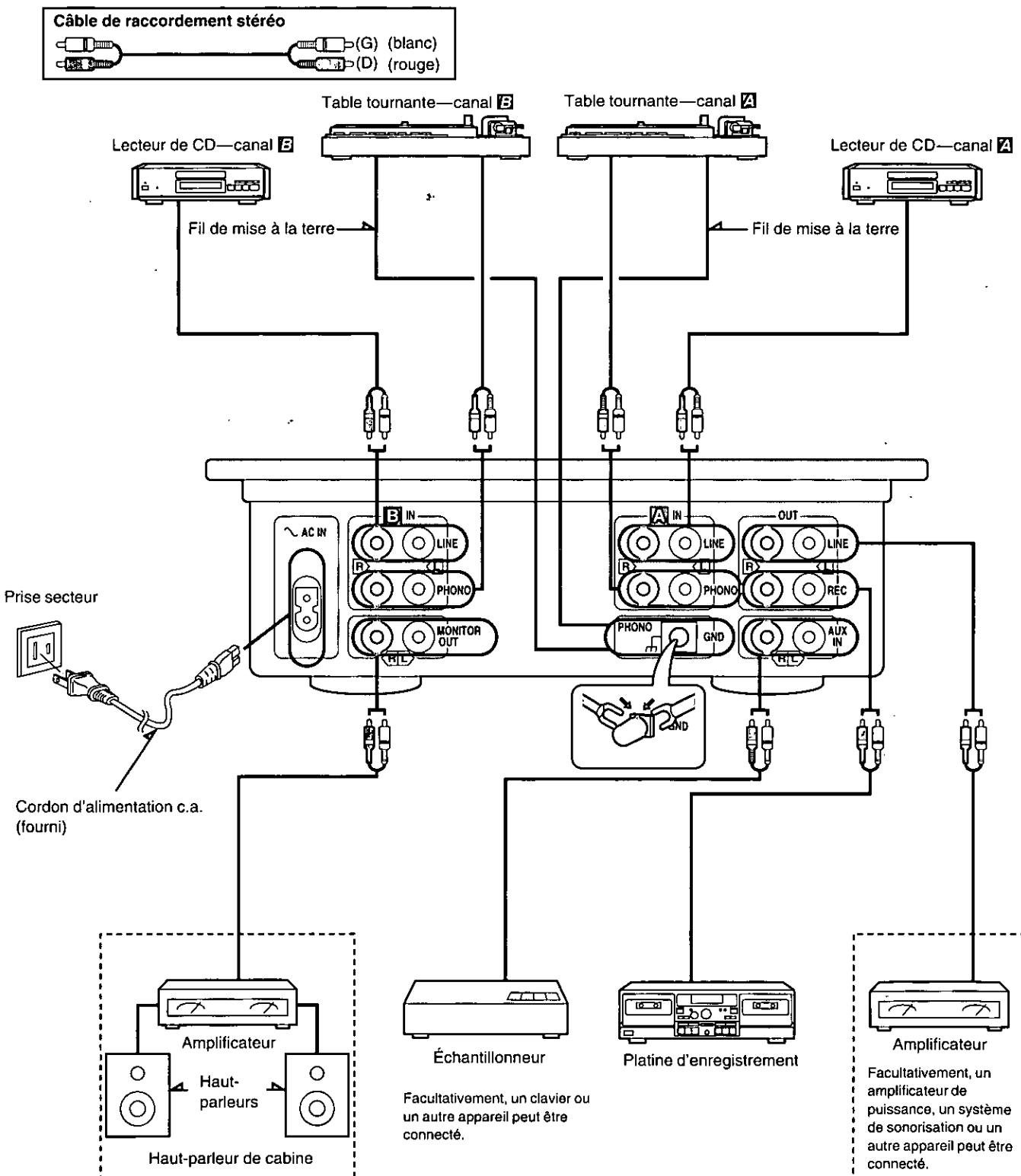
Connexions

Connexions du panneau arrière

Ce modèle se raccorde à l'équipement audio au moyen de câbles stéréo standard (vendu séparément). Avant d'effectuer les connexions, assurez-vous que tous les appareils sont hors tension. Après avoir effectué toutes les connexions, mettez les appareils sous tension.

Nota:

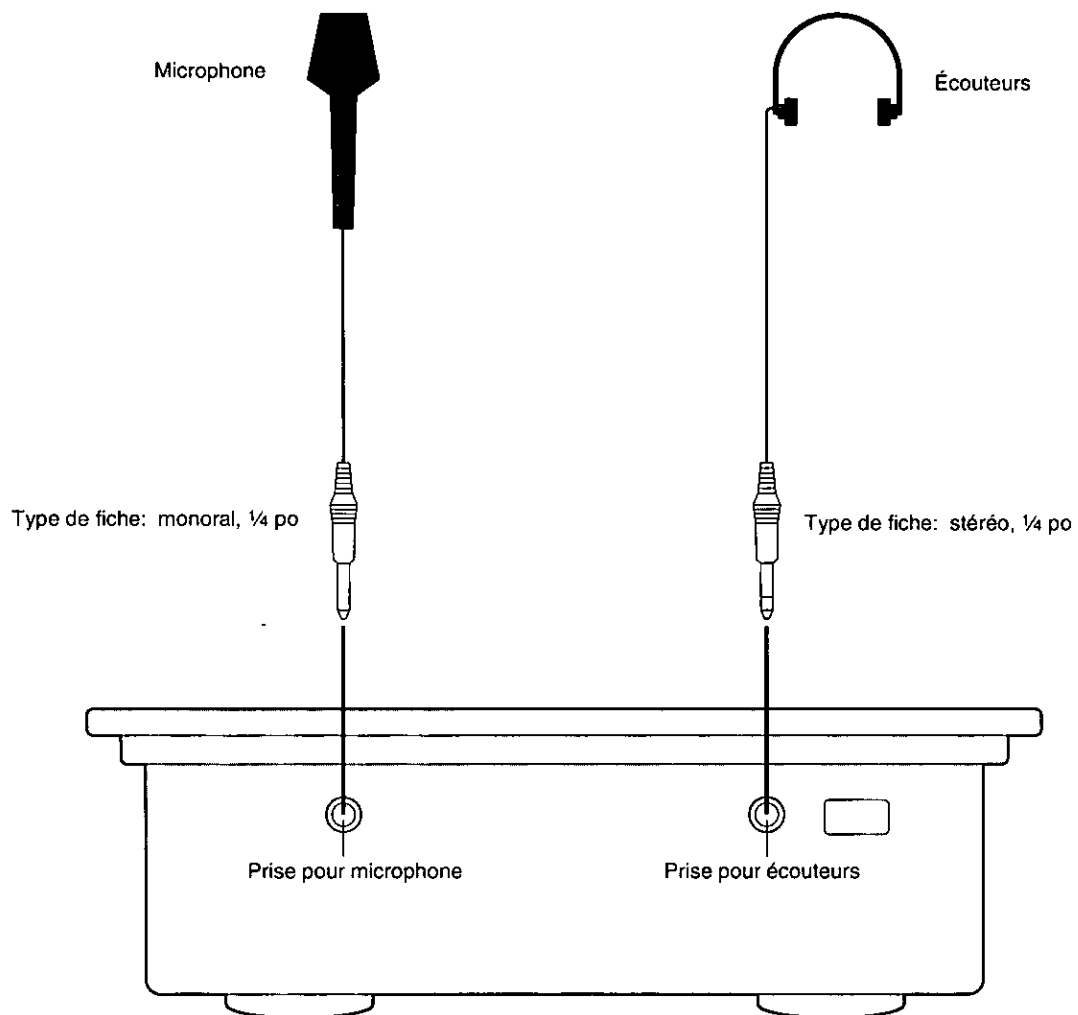
Il n'est pas nécessaire de connecter le fil de mise à la terre si la table tournante n'est pas dotée d'une borne de terre.



Connexions du panneau avant

Pour une écoute avec les écouteurs:

- Avant de brancher les écouteurs, baissez le volume au moyen de la commande de volume d'écoute, etc.
- Évitez l'écoute prolongée avec les écouteurs pour ne pas endommager votre ouïe.

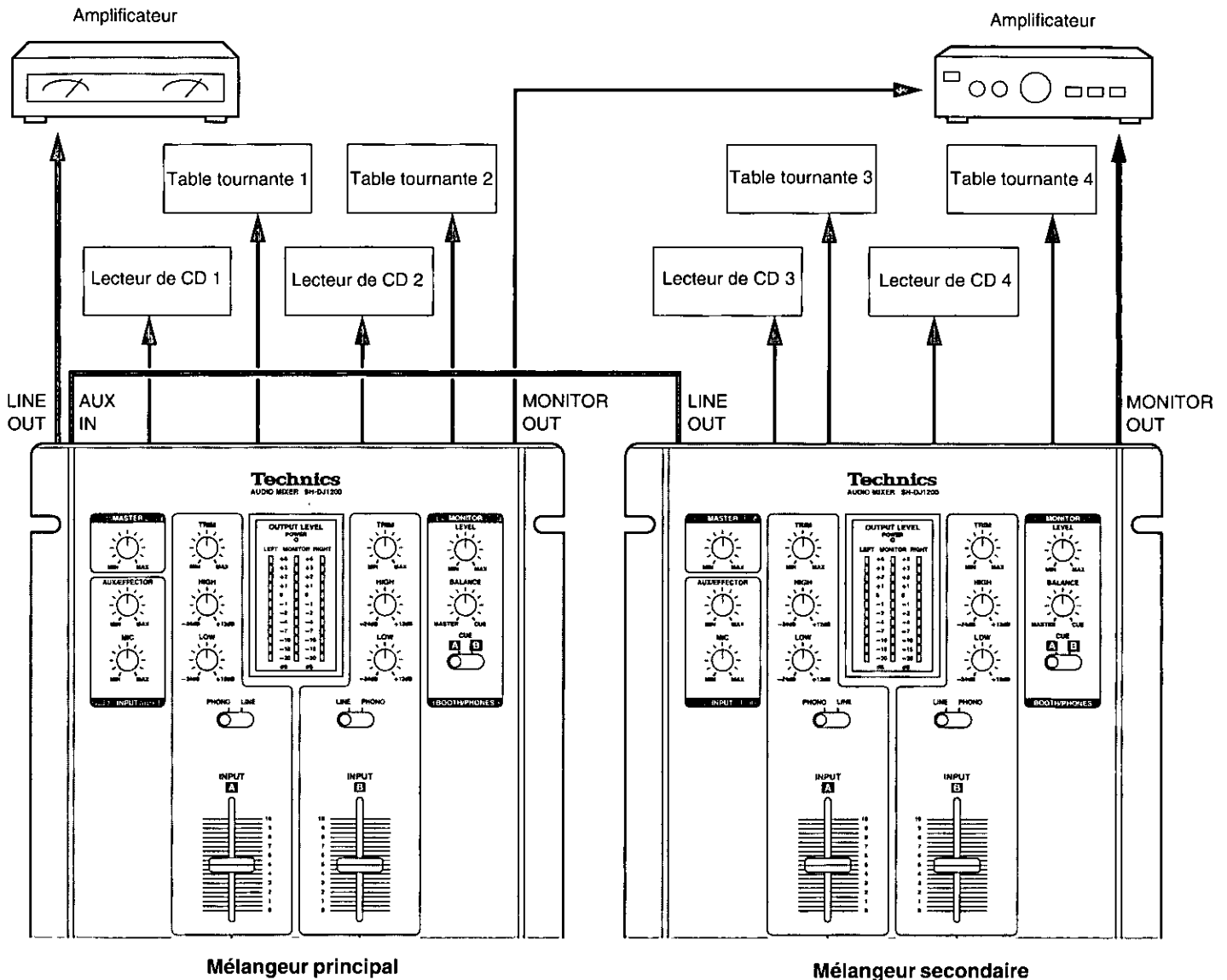


Connexion de deux mélangeurs audio jumelés

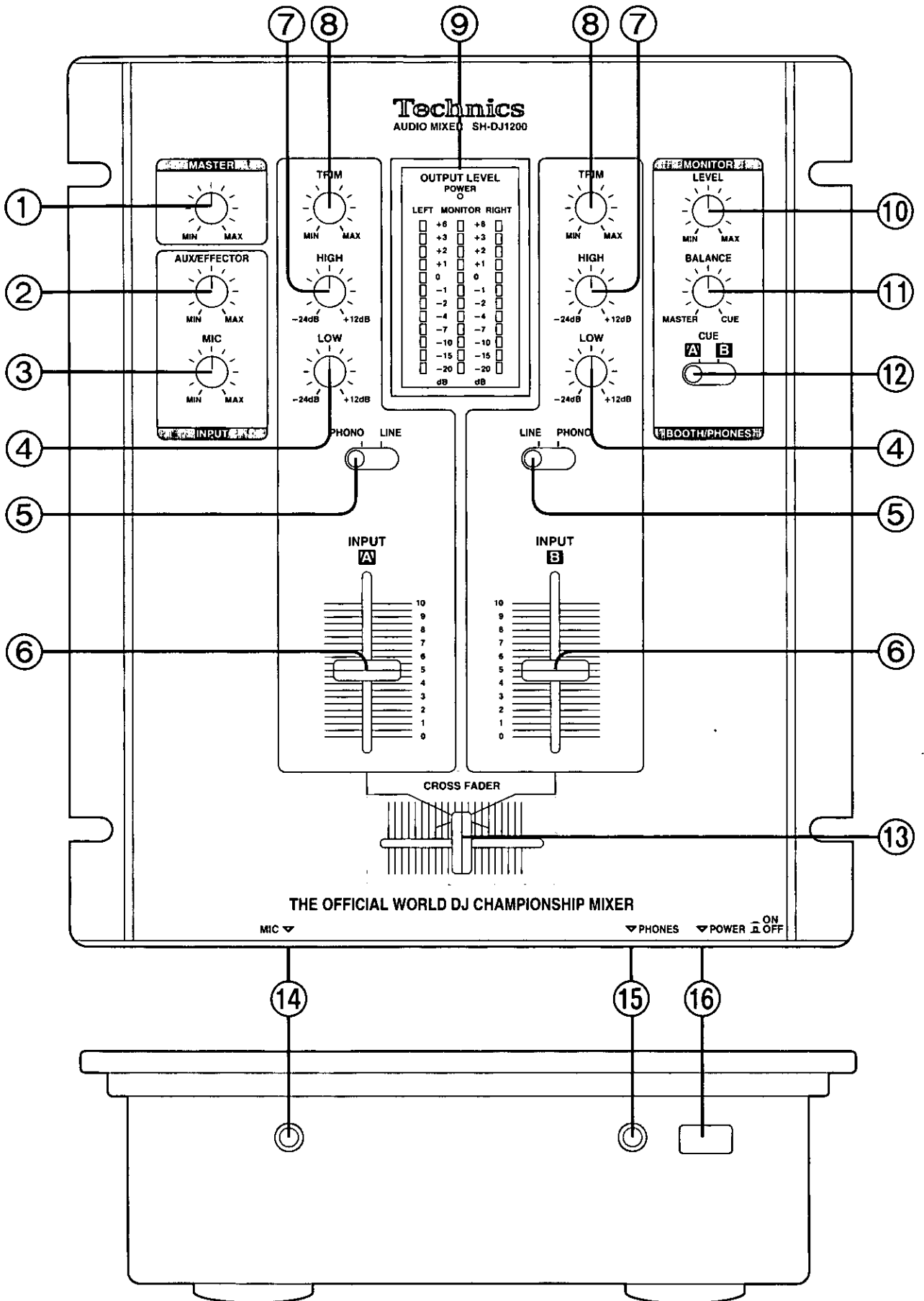
Raccorder le connecteur LINE OUT du mélangeur secondaire au connecteur AUX IN du mélangeur principal.

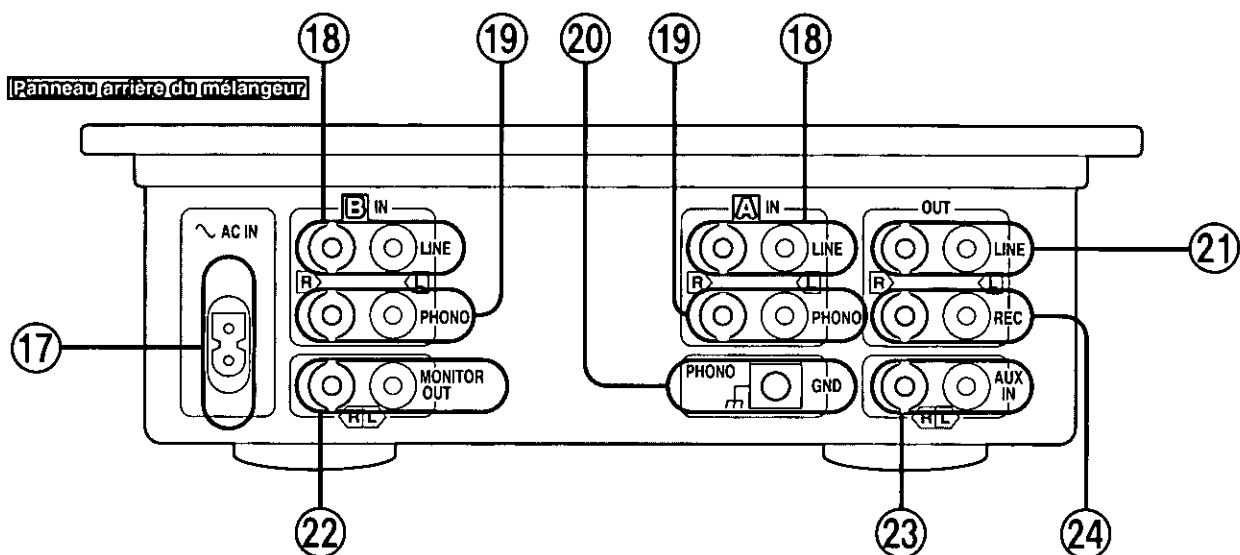
Pour aligner les niveaux de volume des deux mélangeurs:

Régler le volume AUX/EFFECTOR du mélangeur principal, et régler le volume principal du mélangeur secondaire de manière à ce que les niveaux des deux mélangeurs soient identiques.



Nomenclature des pièces

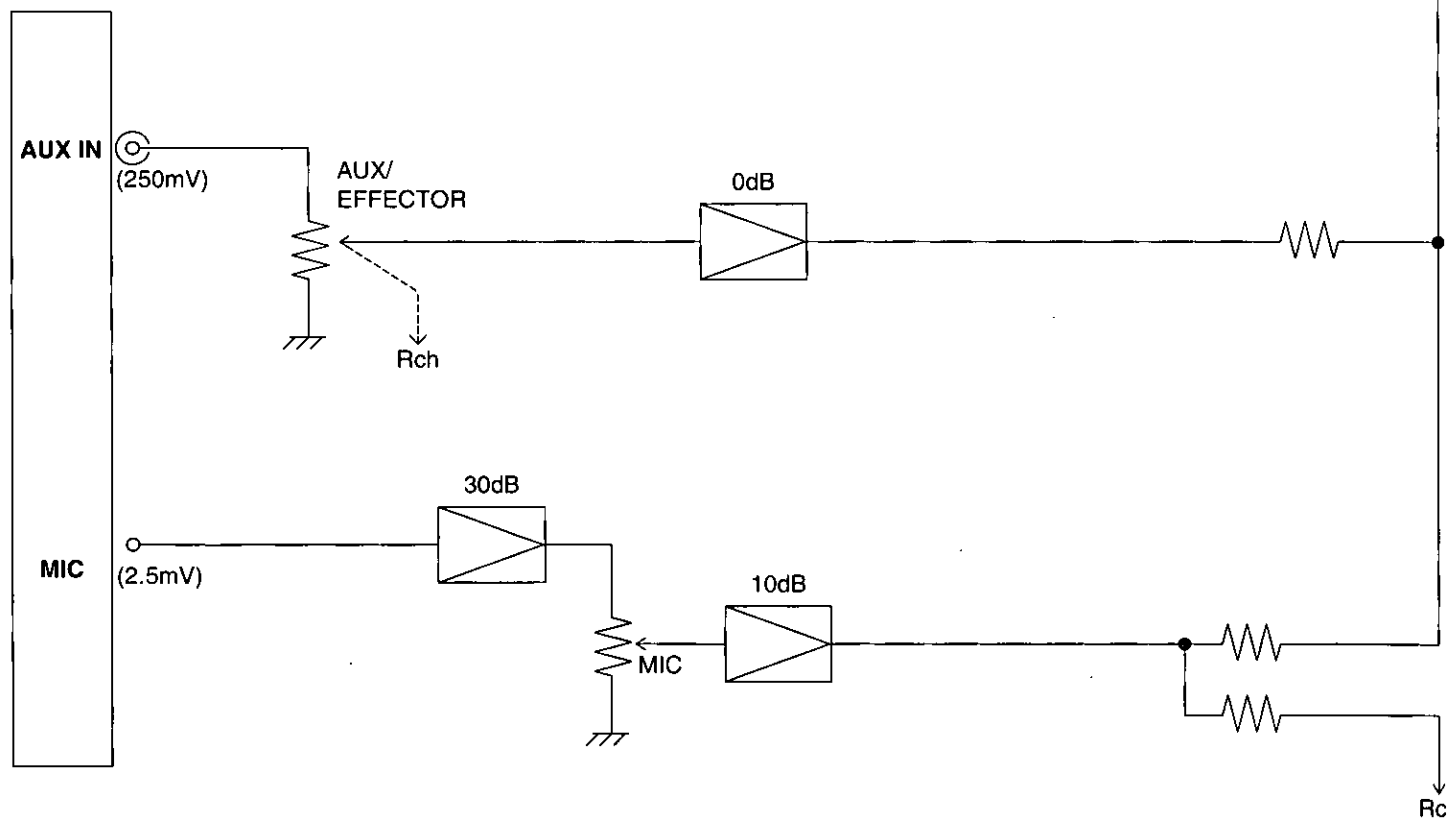
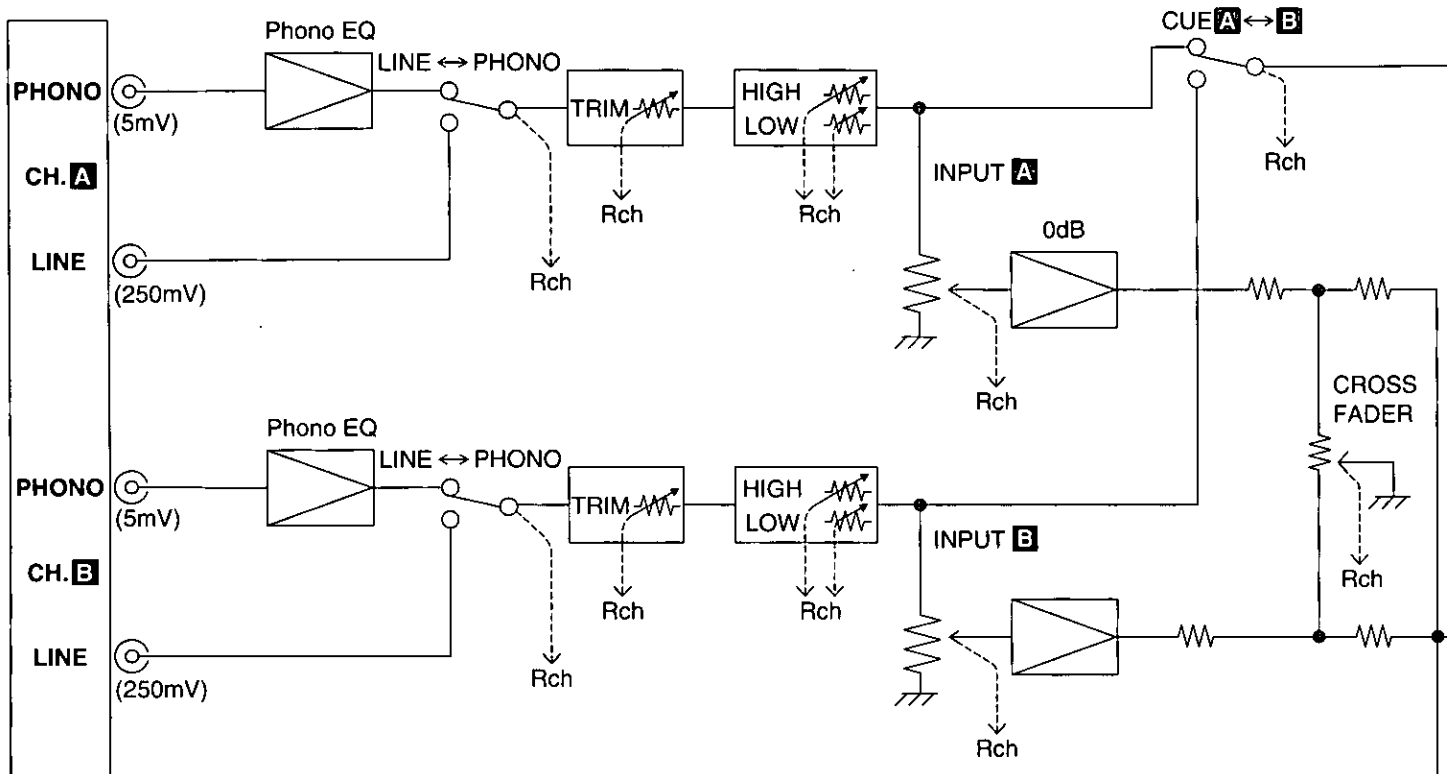


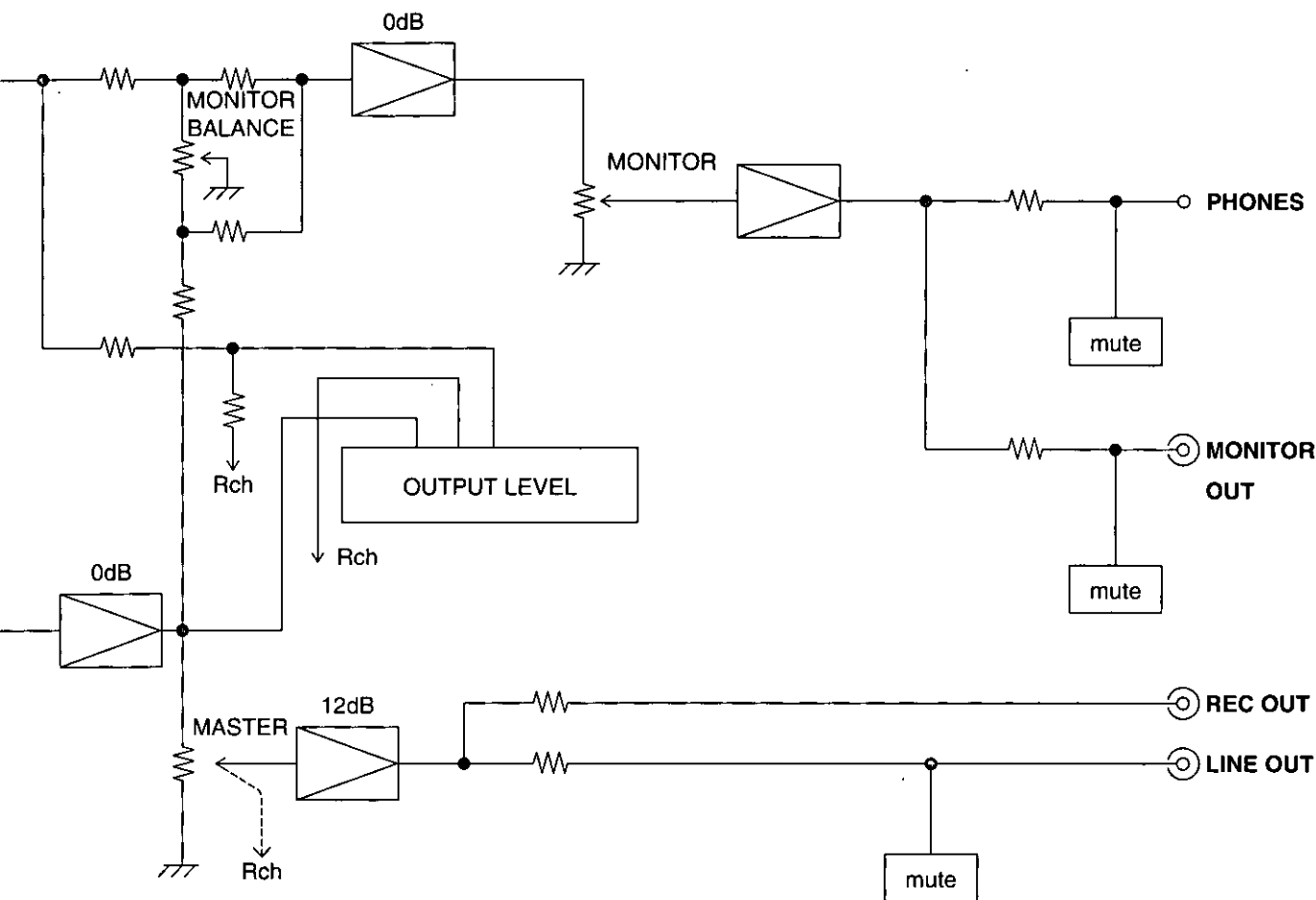


N°	Nom
①	Commande principale de volume (MASTER)
②	Commande de volume auxiliaire/effets (AUX/EFFECTOR)
③	Commande de volume du microphone (MIC)
④	Commande de niveau des basses fréquences—canal A (B) (LOW)
⑤	Sélecteur d'entrée—canal A (B) (LINE, PHONO)
⑥	Commande d'entrée (INPUT)—canal A (B)
⑦	Commande de niveau des hautes fréquences—canal A (B) (HIGH)
⑧	Commande de sensibilité d'entrée—canal A (B) (TRIM)
⑨	Indicateur de niveau de sortie (OUTPUT LEVEL) Indique les niveaux de ligne de sortie (LINE OUT) (signaux D et G) et de la sortie d'écoute (OUTPUT LEVEL).
⑩	Commande de volume d'écoute (MONITOR LEVEL)
⑪	Commande d'équilibre d'écoute (MONITOR BALANCE) Règle l'équilibre entre la ligne de sortie (LINE OUT) et la source sélectionnée au moyen du sélecteur de repérage (CUE).
⑫	Sélecteur de repérage (CUE) Sélectionne la source d'écoute indépendamment de la position des curseurs.

N°	Nom
⑬	Commande de transition (CROSS FADER) Règle l'équilibre entre les niveaux des canaux d'entrée A et B.
⑭	Prise pour microphone (MIC)
⑮	Prise pour écouteurs (PHONES)
⑯	Interrupteur d'alimentation (POWER ON/OFF)
⑰	Prise d'alimentation (~ AC IN)
⑱	Connecteur de ligne d'entrée—canal A (B) (LINE IN)
⑲	Connecteur d'entrée PHONO—canal A (B) (PHONO IN)
⑳	Borne de terre (PHONO GND) Le fil de mise à la terre de la table tournante doit être fixé à cette borne afin d'éviter les bruits et le ronflement.
㉑	Connecteur de ligne de sortie (LINE OUT)
㉒	Connecteur de sortie d'écoute (MONITOR OUT)
㉓	Connecteur d'entrée auxiliaire (AUX IN)
㉔	Connecteur de sortie d'enregistrement (REC OUT)

Schéma fonctionnel





Données techniques

■ Sensibilité/impédance d'entrée

PHONO	1,5 à 15 mV/47 kΩ
LIGNE	100 à 1 000 mV/plus de 10 kΩ
AUXILIAIRE/EFFETS	150 mV/47 kΩ
MICROPHONE	0,7 mV/1 kΩ

■ Tension de sortie nominale

LIGNE	1 V/600Ω
HAUT-PARLEUR DE CABINE	2 V/2,2 kΩ
ÉCOUTEURS	1,5 V/100Ω (charge de 100Ω)
ENREGISTREMENT	1 V/2,2 kΩ

■ Tension de sortie maximale

(charge de 10 kΩ à l'exception des écouteurs)

LIGNE	8 V
HAUT-PARLEUR DE CABINE	8 V (sans écouteurs branchés)
ÉCOUTEURS	1,5 V (charge de 100Ω)
ENREGISTREMENT	8 V

■ Impédance de charge

LIGNE	Plus de 600Ω
HAUT-PARLEUR DE CABINE	Plus de 10 kΩ
ÉCOUTEURS	Plus de 47Ω
ENREGISTREMENT	Plus de 10 kΩ

■ Ronflement et bruit résiduel

Inférieure à 0,2 mV

■ Réponse de fréquence

PHONO	30 Hz à 15 kHz (RIAA ±1 dB)
LIGNE	10 Hz à 70 kHz (-3 dB)
AUXILIAIRE/EFFETS	10 Hz à 100 kHz (-3 dB)
MICROPHONE	100 Hz à 15 kHz (-3 dB)

■ Caractéristiques des commandes de tonalité

BASSES FRÉQUENCES	+12 dB, -24 dB (63 Hz)
HAUTES FRÉQUENCES	+12 dB, -24 dB (10 kHz)

■ Généralités

Alimentation	60 Hz, 120 V c.a.
Puissance consommée	15 W
Dimensions (L×H×P)	260×102×305 mm (10 ¹⁵ / ₆₄ po×4 ¹ / ₆₄ po×12 ¹ / ₆₄ po)
Poids	3,4 kg (7,5 lb.)

Remarque:

Sujet à changements sans préavis.
Le poids et les dimensions sont approximatifs.

Guide de dépannage

Consulter le tableau ci-dessous pour savoir si la difficulté rencontrée peut être résolue par les corrections qui y sont décrites, avant de faire appel à un centre de service.

Si aucune solution n'a pu être trouvée même après avoir effectué ces vérifications, ou si l'appareil présente des symptômes de mauvais fonctionnement qui ne sont pas décrits dans ce tableau, communiquer avec le détaillant qui a vendu l'appareil ou avec le centre de service de la région (voir liste ci-jointe) pour plus de renseignements.

Problème	Vérification	Solution
Aucune alimentation.	Le cordon d'alimentation est-il débranché?	Branchez correctement le cordon d'alimentation.
Aucun son, même lorsque l'appareil est sous tension.	Le sélecteur d'entrée est-il réglé sur une autre source?	Vérifiez la source et réglez le connecteur à la position appropriée.
	Y a-t-il un appareil mal connecté?	Connectez les appareils correctement.
	La commande de volume principale ou une autre commande de volume est-elle à la position MIN?	Réglez correctement les commandes de volume.
Inversion des signaux de gauche et de droite.	Un appareil a-t-il été connecté avec les canaux de droite et de gauche inversés?	Connectez les canaux correctement.
Un ronronnement ou un bourdonnement est audible.	Y a-t-il un éclairage fluorescent ou un appareil électrique à proximité, ou dont le cordon d'alimentation est proche des câbles de raccordement?	Placez l'éclairage fluorescent ou les autres appareils, ou leur cordon d'alimentation, aussi loin que possible du mélangeur audio.
	Le fil de mise à la terre de la table tournante est-il déconnecté?	Connectez correctement le fil de mise à la terre.
Un curseur de volume ne se déplace pas en douceur.	Le curseur est-il usé?	Remplacez le curseur par un nouveau (consultez les directives de remplacement des curseurs de volume, fournies séparément).

Entretien

Essayez le mélangeur avec un linge doux. Pour enlever les taches tenaces, frottez avec un chiffon imbibé d'eau ou d'eau savonneuse, puis essuyez avec un linge sec.

- N'utilisez pas d'alcool ni de diluant pour peinture.
- Si vous utilisez un chiffon traité avec un produit chimique, consultez les directives qui l'accompagnent.

Service après-vente

Ne pas tenter de retirer les couvercles ni de réparer l'appareil soi-même.

Confier toute réparation à un personnel qualifié.

Pour toute réparation ou révision, apporter tous les éléments de la chaîne.

Demande d'informations

Pour toutes réparations, renseignements ou conseils sur le fonctionnement du produit, voir la liste des centres de service après-vente.

Matsushita Électrique du Canada Limitée
5770 Ambler Drive, Mississauga, Ontario L4W 2T3