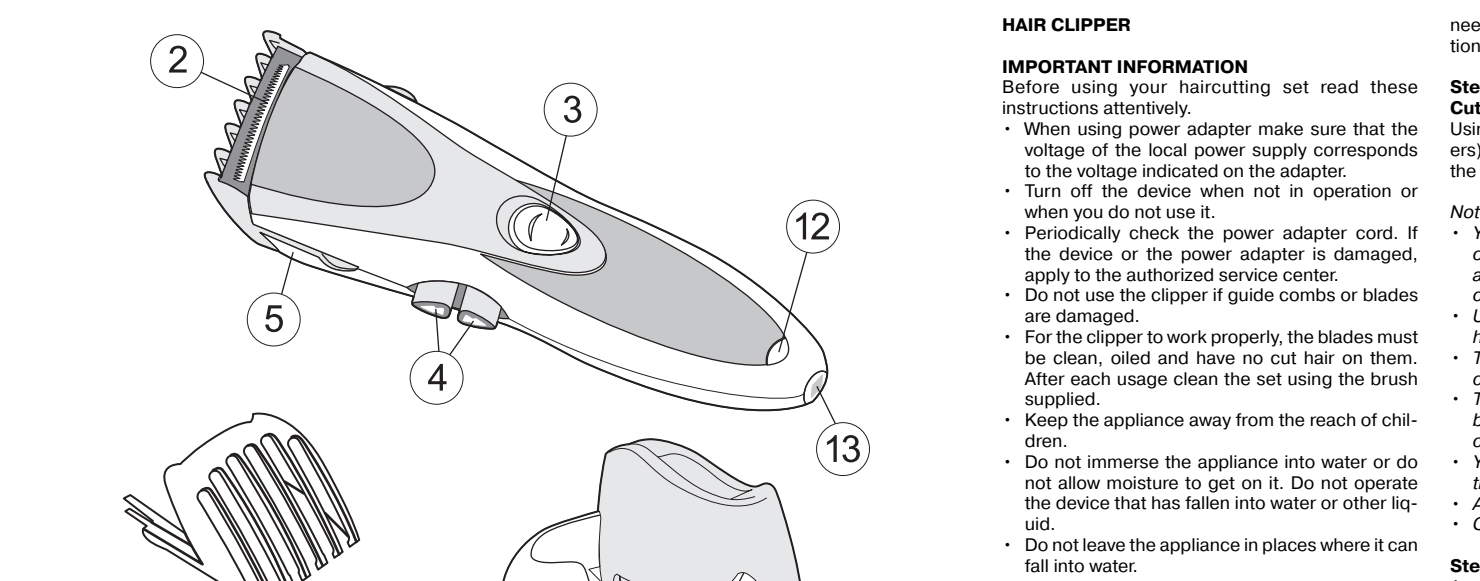


ENGLISH



HAIR CLIPPER needed position, and continue cutting in the direction of top of the head.

IMPORTANT INFORMATION Before using your haircutting set read these instructions attentively...

DESCRIPTION (Pic. 1) 1. Power Adapter (4 - 22 mm) 2. Blades 3. Power On/Off button "0"/"1"

CONNECTIONS 1. Connect the power adapter cord (1) and the Power Adapter Jack (10) to the charging stand (11).

BEFORE STARTING HAIRCUT - Before starting the haircut, make sure that it operates without overheating...

RECOMMENDATIONS ON HAIR CUTTING When cutting hair with this clipper it is better to have the hair cut, wet. When the hair is dry, it will be cut unevenly...

USING GUIDE COMB Guide Comb (1) has 13 positions to obtain different hair lengths...

Technical data: Power: 220-230 V - 50 Hz Adapter output voltage: 2.8 V-120 mA

Step 1 Depending on the needed hair length, select the comb position to position button (4). Turn the clipper using the switch (3).

DEUTSCH

HAARSCHNEIDMASCHINE und setzen sie fort, die Haare dem Wibel des Kopfes (Spiegelbild, Abb. 4) zu schneiden.

WICHTIGE INFORMATION Vor dem Gebrauch der Haarschneidemaschine lesen Sie die vorliegende Gebrauchsanweisung aufmerksam durch.

Schritt 5 - Feinabstimmung Cut the final stage of haircut, remove the guide comb from the clipper, turn it with the blades closed...

CHARGING BATTERIES Turn off the set, put the switch (3) to the "0" position, connect the power adapter cord (1) and the Power Adapter Jack (10) to the charging stand (11).

BEFORE STARTING HAIRCUT - Before starting the haircut, make sure that it operates without overheating...

RECOMMENDATIONS ON HAIR CUTTING When cutting hair with this clipper it is better to have the hair cut, wet. When the hair is dry, it will be cut unevenly...

USING GUIDE COMB Guide Comb (1) has 13 positions to obtain different hair lengths...

Technical data: Power: 220-230 V - 50 Hz Adapter output voltage: 2.8 V-120 mA

Step 1 Depending on the needed hair length, select the comb position to position button (4). Turn the clipper using the switch (3).

РУССКИЙ

НАБОР ДЛЯ СТРИЖКИ и установить стрижку по направлению к макушке, продолжив стрижку по направлению к затылку.

ВАЖНАЯ ИНФОРМАЦИЯ Перед началом использования машины для стрижки внимательно прочитайте данную инструкцию.

CHARGEMENT DES PILES RECHARGEABLES Débrancher la tondeuse avant de l'interrompre (3) et de reconnecter le câble de l'adaptateur secteur (1) au socle (11).

BEFORE STARTING HAIRCUT - Before starting the haircut, make sure that it operates without overheating...

RECOMMENDATIONS ON HAIR CUTTING When cutting hair with this clipper it is better to have the hair cut, wet. When the hair is dry, it will be cut unevenly...

USING GUIDE COMB Guide Comb (1) has 13 positions to obtain different hair lengths...

Technical data: Power: 220-230 V - 50 Hz Adapter output voltage: 2.8 V-120 mA

Step 1 Depending on the needed hair length, select the comb position to position button (4). Turn the clipper using the switch (3).

FRANÇAIS

TONDEUSE À CHEVEUX Avant de commencer l'utilisation de la tondeuse à cheveux, veuillez lire attentivement la présente notice.

CHARGEMENT DES PILES RECHARGEABLES Débrancher la tondeuse avant de l'interrompre (3) et de reconnecter le câble de l'adaptateur secteur (1) au socle (11).

BEFORE STARTING HAIRCUT - Before starting the haircut, make sure that it operates without overheating...

RECOMMENDATIONS ON HAIR CUTTING When cutting hair with this clipper it is better to have the hair cut, wet. When the hair is dry, it will be cut unevenly...

USING GUIDE COMB Guide Comb (1) has 13 positions to obtain different hair lengths...

Technical data: Power: 220-230 V - 50 Hz Adapter output voltage: 2.8 V-120 mA

Step 1 Depending on the needed hair length, select the comb position to position button (4). Turn the clipper using the switch (3).

ITALIANO

MACCHINA PER IL TAGLIO DEI CAPELLI Prima dell'inizio dell'uso della macchina per il taglio dei capelli, leggere attentamente le istruzioni.

CHARGEMENT DES PILES RECHARGEABLES Débrancher la tondeuse avant de l'interrompre (3) et de reconnecter le câble de l'adaptateur secteur (1) au socle (11).

BEFORE STARTING HAIRCUT - Before starting the haircut, make sure that it operates without overheating...

RECOMMENDATIONS ON HAIR CUTTING When cutting hair with this clipper it is better to have the hair cut, wet. When the hair is dry, it will be cut unevenly...

USING GUIDE COMB Guide Comb (1) has 13 positions to obtain different hair lengths...

Technical data: Power: 220-230 V - 50 Hz Adapter output voltage: 2.8 V-120 mA

Step 1 Depending on the needed hair length, select the comb position to position button (4). Turn the clipper using the switch (3).

